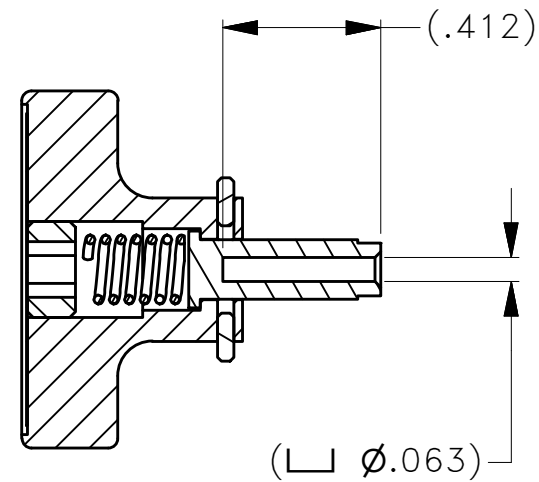
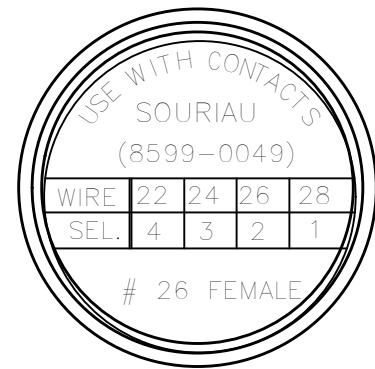
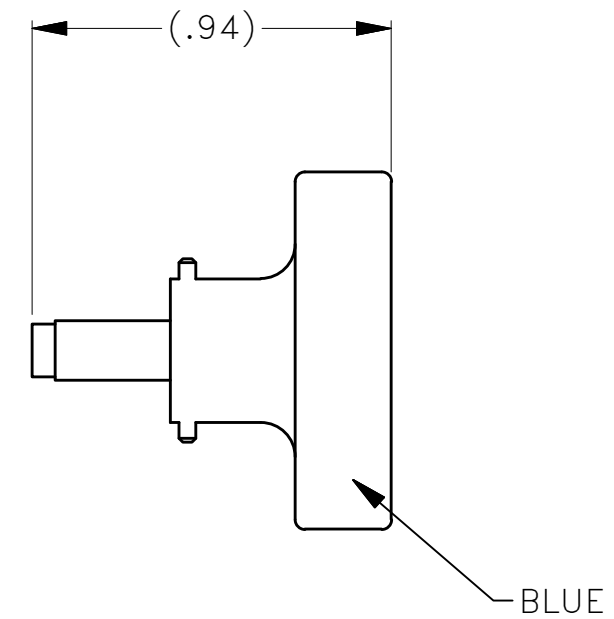
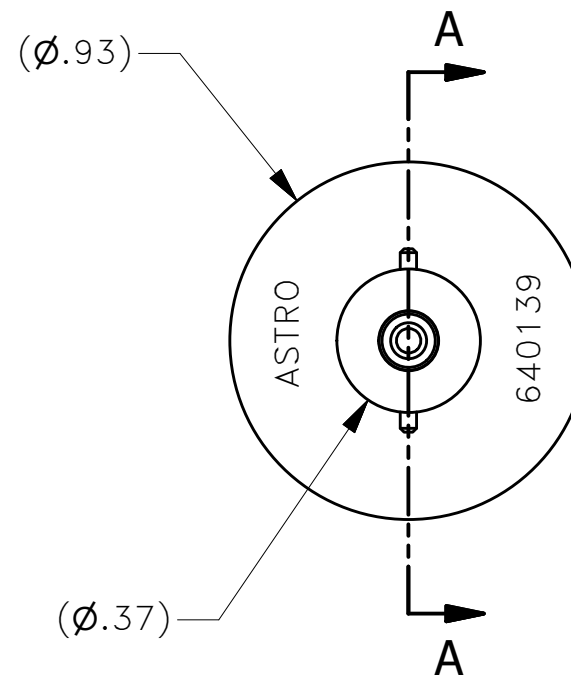


**UNCONTROLLED DOCUMENT
WILL NOT BE UPDATED**

REVISIONS				
REV SYM	ECO NUMBER	DESCRIPTION	BY DATE	APP'D DATE
0		NEW RELEASE	DYO 10-22-14	ADI.G 10-22-14



SECTION A-A



- NOTES:
 1. THIS IS AN ICAD DRAWING. DO NOT CHANGE MANUALLY.
 2. USE WITH M22520/2-01 TOOL FRAME.

THESE DRAWINGS, SPECIFICATIONS OR OTHER DATA ARE THE PROPERTY OF ASTRO TOOL CORP. AND MUST BE RETURNED UPON REQUEST. THEY CONTAIN INFORMATION OWNED AND/OR DEVELOPED BY ASTRO AT ITS OWN PRIVATE EXPENSE AND MAY NOT BE USED, DUPLICATED OR DISCLOSED TO OTHERS, IN WHOLE OR IN PART FOR DESIGN, MANUFACTURE, OR PROCUREMENT WITHOUT THE WRITTEN PERMISSION OF ASTRO TOOL CORP. EACH AND EVERY TIME. CREATED FROM AN INVENTOR MODEL. CHANGES MUST BE REFLECTED IN THE 3D PART DO NOT SCALE DRAWING	MATERIAL	--	ITEM	PART NO.	QTY.	DESCRIPTION/REMARKS
	HEAT TREAT	N/A	DRN.	DYO	DATE	10-22-14
	FINISH	N/A	CHK'D.	ADI.G	DATE	10-22-14
	TOLERANCE:		UNLESS OTHERWISE SPECIFIED FRACTIONS ± 1/32 ANGLES ± 1° DECIMAL INCHES:		.X ± .030 .XX ± .010 .XXX ± .005 .XXXX ± .0005 REMOVE BURRS AND BREAK SHARP EDGES .005-.015	
ASTRO TOOL CORP. 21615 S.W. THIALATIN VALLEY HWY. BEAVERTON OR 97003			APP'D. DATE APP'D. DATE		TITLE ENVELOPE DRAWING: 640139 POSITIONER ASSEMBLY WHERE USED: SIZE B SCALE N/A CAD P/N 640139_ENV_RA SHEET OF 1 1 POSTING P/N 640139-ENV REV. A	