

LED location

Location Pin

min. 2.0mm round hole to PCB, for two pins.

Detail A Scale: 3:1

Detail B Scale: 3:1

Detail C Scale: 3:1

Light Pattern Direction

COMPONENTS

INDEX	PRODUCT	TYPE	MATERIAL	COLOUR/COATING
1	C15986_STRADELLA-8-HV-VSM	LENS	PMMA	CLEAR

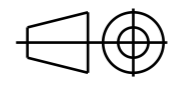
MECHANICAL DRAWING

PRODUCT
C15986_STRADELLA-8-HV-VSM

LEDiL®

Tolerances if not otherwise shown
According to DIN ISO 2768-1
Linear measures:
Up to 30mm class M, otherwise class C.
According to DIN ISO 2768-2
Form and position: class L

FIRST ANGLE PROJECTION:

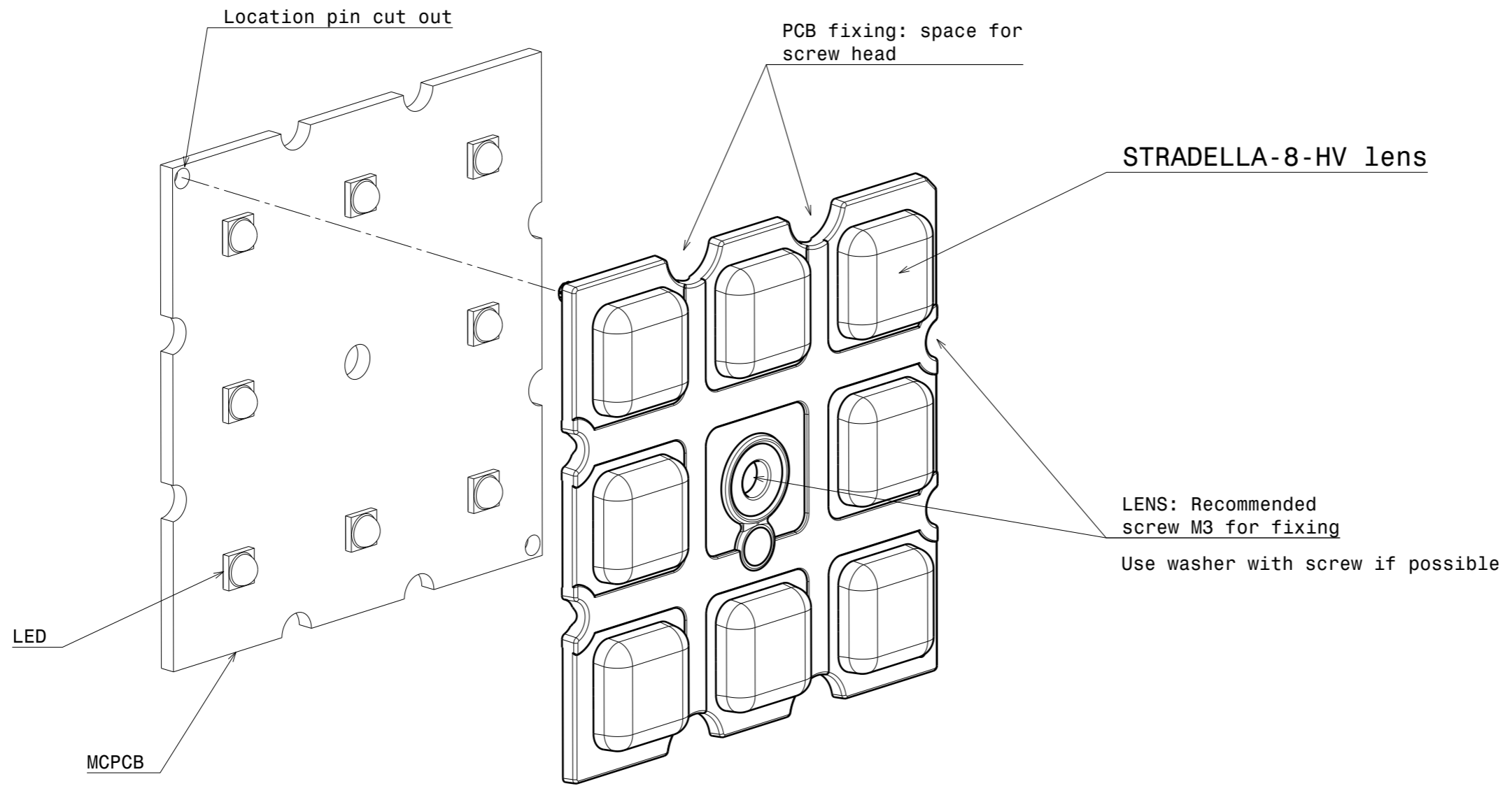


This drawing is the property of LEDiL Oy. It may not be reproduced, copied or communicated without a written agreement with LEDiL Oy.

SCALE	3:2	SIZE	A3	SHEET	1/2
-------	-----	------	----	-------	-----

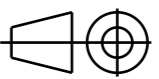
Notes

- PCB or Heat Sink level
 - Led location see red dot
- Ensure LED fitting, see our web site and/or 3D model for part detail.
See installation details page 2.



Notes

Please see more details for fastening in LEDiL Installation guide, www.ledil.com

MECHANICAL DRAWING		LEDiL[®]			
PRODUCT STRADELLA-8-HV family					
Tolerances if not otherwise shown According to DIN ISO 2768-1 Linear measures: Up to 30mm class M, otherwise class C. According to DIN ISO 2768-2 Form and position: class L	FIRST ANGLE PROJECTION: 	This drawing is the property of LEDiL Oy. It may not be reproduced, copied or communicated without a written agreement with LEDiL Oy.			
SCALE	2:1	SIZE	A3	SHEET	2/2