

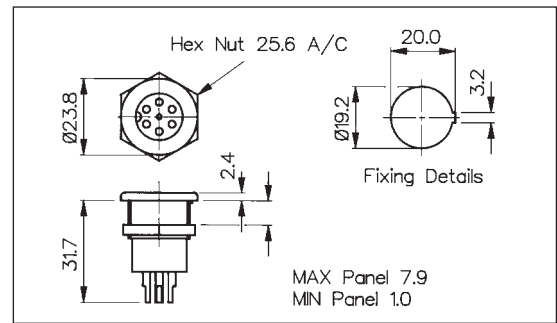
Plug and Socket (6 Pole)

CIRCULAR MALE INLET



PX0635

- 6 Pole
- Mates with PX0636
- Key to Ensure Correct Polarity
- Solder Buckets
- 3A, 50V a.c.

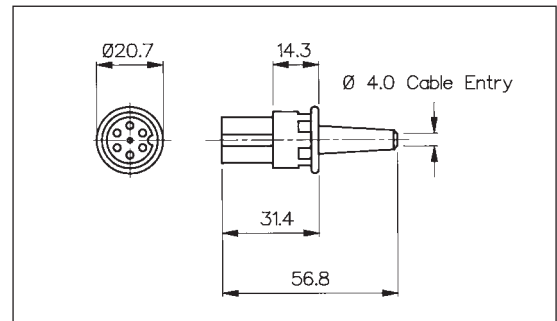


CIRCULAR FEMALE CONNECTOR



PX0636

- 6 Pole
- Mates with PX0635
- Key Way to Ensure Correct Polarity
- Solder Tags
- 3A, 50V a.c.



Specification	PX0635	PX0636
Terminations:	Solder Buckets	Solder Tags
Max. Rating:	3A, 50V a.c.	3A, 50V a.c.
Contact Resistance:	<10mΩ	<10mΩ
Insulation Resistance:	>10 ⁴ MΩ	>10 ⁴ MΩ
A.C. Breakdown:	Pole-Pole 2.1kV Poles-Panel 6.0kV	Pole-Pole 2.1kV Poles-Accessible Parts 1.5kV
Operating Temp. Range:	-20°C to +60°C	-20°C to +60°C
Mouldings:	Glass Filled Nylon	Glass Filled Nylon
Contacts:	Brass, Silver Plated	Brass, Silver Plated
Accessories:	P.No. 9455 (see page 134)	
Mates With:	PX0636	PX0635