

**PLEASE CHECK WWW.MOLEX.COM FOR LATEST PART INFORMATION**

**Part Number:** [62300-0800](#)  
**Status:** **Active**  
**Description:** Mini-Cam™ IV Discrete Wire Termination Machine

**Documents:**  
[RoHS Certificate of Compliance \(PDF\)](#)

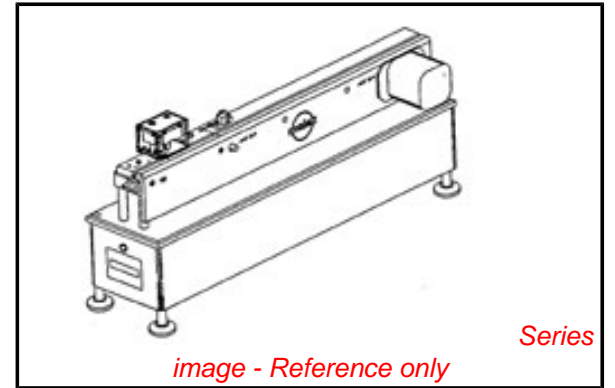
**General**

|                                |  |
|--------------------------------|--|
| Product Family                 | Application Tooling  |
| Series                         | <a href="#">T3012</a>  |
| Comments                       | See Tooling Specification (PDF) Above  |
| Function                       | Wire Stripping   |
| Geographic Area                | Global   |
| Level of Automation            | Automatic  |
| More Detailed Tech Information | <a href="mailto:applicationtooling@molex.com">applicationtooling@molex.com</a>                           |
| Product Name                   | PremiumGrade™  |
| Survey                         | <a href="http://www.molex.com//review/apptool_survey.html">www.molex.com//review/apptool_survey.html</a> |
| Tool Type                      | Terminator   |
| UPC                            | 800753889378   |

**Material Info**

**Reference - Drawing Numbers**

|                               |               |
|-------------------------------|---------------|
| Application Tooling Documents | ATS-623000898 |
| Sales Drawing                 | 623000800     |



|                |                   |
|----------------|-------------------|
| <b>EU RoHS</b> | <b>China RoHS</b> |
|----------------|-------------------|

**Compliance Status**

**Not Reviewed**

**REACH SVHC**

**Not Reviewed**

**Low-Halogen Status**

**Not Reviewed**

**Need more information on product environmental compliance?**

Email [productcompliance@molex.com](mailto:productcompliance@molex.com)  
 For a multiple part number RoHS Certificate of Compliance, [click here](#)

Please visit the [Contact Us](#) section for any non-product compliance questions.

**Search Parts in this Series**

[T3012Series](#)

**Use With**

[KK® Connectors 7241](#)