

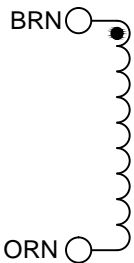
**PRIMARY**

**SECONDARY**

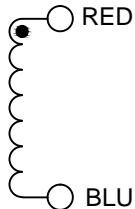
PRIMARY #1  
117V 50/60Hz



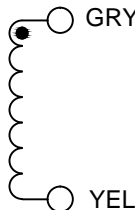
PRIMARY #2  
117V 50/60Hz



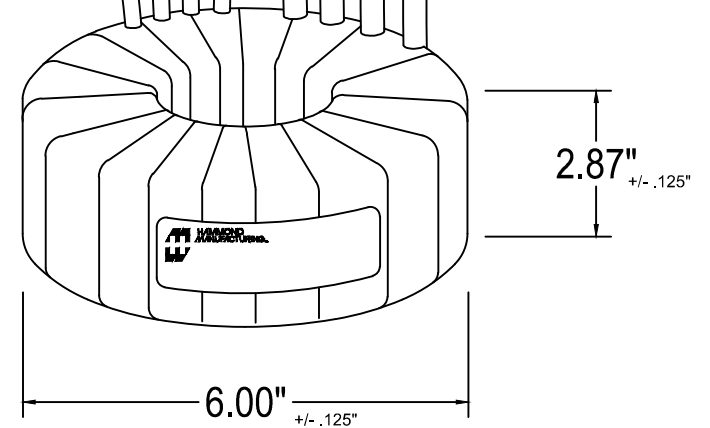
SECONDARY #1  
60V @ 6.25Amps



SECONDARY #2  
60V @ 6.25Amps



PRIMARY LEADS ARE #16 TEW  
SECONDARY LEADS ARE #14 TEW  
ALL LEADS OUT 8"-9" AND STRIPPED 0.5" MIN.  
WEIGHT: 12.87Lbs +/- 4%



**HAMMOND MANUFACTURING**  
**1182Q60**  
 50/60Hz VA:750  
 PRI: 2x 117V BLK-WHT, BRN-ORN  
 SEC: 2x 60V @ 6.25A RED-BLU, GRY-YEL  
 1A0750A000C060060  
 MADE IN CANADA DATE PB  
 RoHS Compliant  
 CE, UL, and other compliance logos.

SUPPLIED WITH: TWO 0.093" T X 4.75" OD RUBBER WASHERS.  
 ONE 16GA X 4.30" OD STEEL MOUNTING WASHER.  
 ONE 3/8-16 BOLT 3.50" LONG WITH A LOCK WASHER AND 3/8-16 HEX NUT.

ELECTRICAL DATA:		
TESTS	CONDITIONS	ACCEPTANCE CRITERIA
Sec. N.L.V	@ 117V, 60Hz BLK & BRN to WHT & ORN	
OR	@ 234V, 50Hz BLK to ORN (Connect BRN & WHT)	
	RED - BLU	62.44 V ±2%
	GRY - YEL	62.44 V ±2%
POLARITY	BLK, BRN, RED and GRY.	ADDITIVE
DCR	BLK - WHT	0.495 Ohms ±20%
IN OHMS	BRN - ORN	0.495 Ohms ±20%
	RED - BLU	0.160 Ohms ±20%
	GRY - YEL	0.160 Ohms ±20%
HI POT	PRIMARY - SECONDARY	4000V, 60Hz, 1 SEC
	PRIMARY - PRIMARY	600V, 60Hz, 1 SEC
	SECONDARY - SECONDARY	600V, 60Hz, 1 SEC

PROPERTY AND COPYRIGHT NOTICE  
 THIS DRAWING AND THE INFORMATION IT CONVEYS ARE THE PROPERTY OF HAMMOND MANUFACTURING. IT MAY NOT BE REPRODUCED, TRANSMITTED OR USED IN ANY MANNER WHATSOEVER WITHOUT THE WRITTEN PERMISSION OF HAMMOND MANUFACTURING.

REV	NOTES	BY	DATE	<b>HAMMOND MANUFACTURING</b> ELECTRONIC DIVISION 52 RANKIN PLACE, WATERLOO, ONTARIO, N2J 3Z5 PHONE: 519.886.6181 FAX: 519.886.9540
1	UPDATED THE HARDWARE, WAS 1/4-20 X 3.5" LONG.	GG	15/04/14	
				<b>TOROID POWER TRANSFORMER</b>
DRAWN G. GRAY		DATE 21/03/2014		NUMBER <b>1182Q60</b>
APPROVED		DATE		