

RoHS Compliant

COAXIAL CONNECTORS

2008

CAT.NO.COAX-007A-E.FEB.2008



COAXIAL
CONNECTORS

Japan Aviation Electronics Industry, Ltd.

- FREQUENCY RANGE TO 3GHz
- PUSH-ON COUPLING

CV10 Series

CV10 series small size coaxial connectors are ideal for high-density, reduced size, high frequency devices.

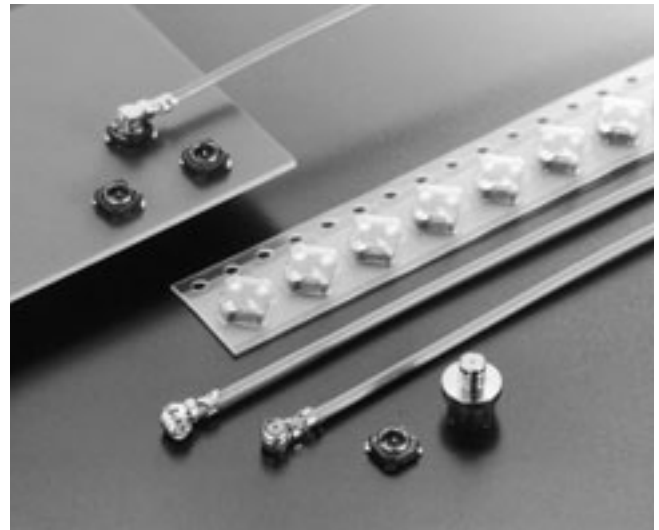
Receptacle can be mounted in an area of 4×4mm on board.

Low profile : 3mm high when mated with the cable plug.

Applicable frequencies : from DC up to 3GHz. High performance with a VSWR (voltage standing wave ratio) of 1.3 or less.

- Sure locking feeling on mating. Push-on coupling provides stable retention.
- Two versions of board mount receptacle : SMT type enabling automatic mount and through-hole type.
SMT connectors can be supplied in embossed taping.
- Extra-fine coaxial cable (1.3mm in outer diameter) with double thread outer conductor excellent in flexibility.
Provides a higher degree of freedom in wiring. Most suitable for high density packaging.
- Applications : Cordless Phone, Mobile Phone, GPS,
Various Communications Equipment,
Radio Terminal for Personal Computer,
High Frequency Measuring Instruments

*GPS (GLOBAL POSITIONING SYSTEM/CAR NAVIGATION)



SPECIFICATIONS

Characteristic Impedance	50Ω
Frequency Range	DC to 3GHz
D. W. Voltage	AC500Vr.m.s. (1minute)
Insulation Resistance	500 megohms min. (DC500V)
Contact Resistance	Center Contacts : 30 milliohms max. Outer Contacts : 15 milliohms max.
V. S. W. R.	1.3 max. (DC to 3GHz)
Applicable Cables	0.8D EQUIVALENT (SPECIAL)

MATERIALS/FINISHES

Description	Materials/Finishes
Center Contacts	Copper Alloy/Gold Plated over Nickel
Outer Contacts	Copper Alloy : Receptacle /Tin Plated Plug/Nickel Plated
Insulator	Receptacle/Glass-filled PPS Cable Plug/Glass-filled PBT Through-hole Plug/PTFE
Shell	Copper Alloy /Tin Plated

For the cable application type, harnessed connectors which satisfy your specification are supplied.

We can also provide connectors and cables other than those listed in this catalog. For details, please consult us.

CV10 Series

TYPES AND COMBINATIONS

Dimensions in millimeters

Receptacle

●SMT · Straight
P/N : CV10-RP-M-0



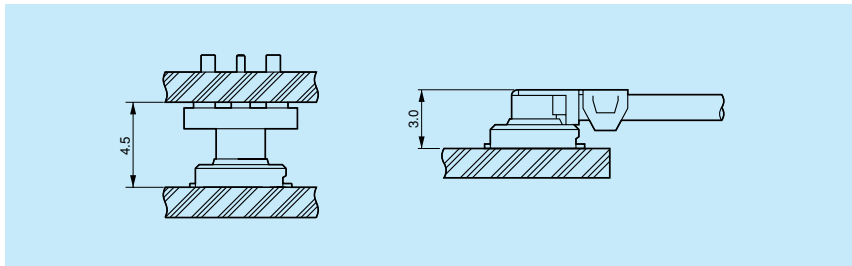
Plug Receptacle

●Through-hole Solder · Straight
P/N : CV10-PLP-F-0-R



Plug

●Right-angle · Cable Assembly
P/N : CV10-CA※- *RPL-8DW



Adapter



Various adapters are available.
See pages 93 to 107.

RECEPTACLE

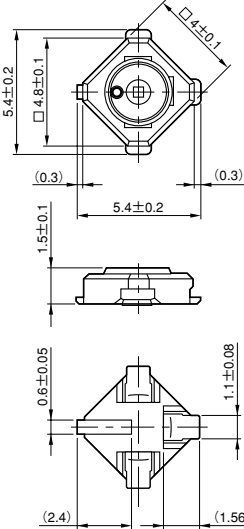
SMT Type

Interchangeable with PLUG RECEPTACLE & PLUG (74 Page)

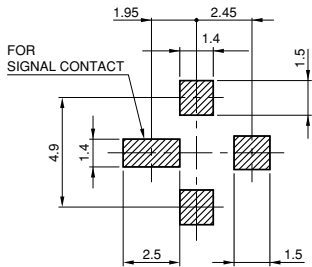
Dimensions in millimeters

Straight

Part Number : CV10-RP-M-0

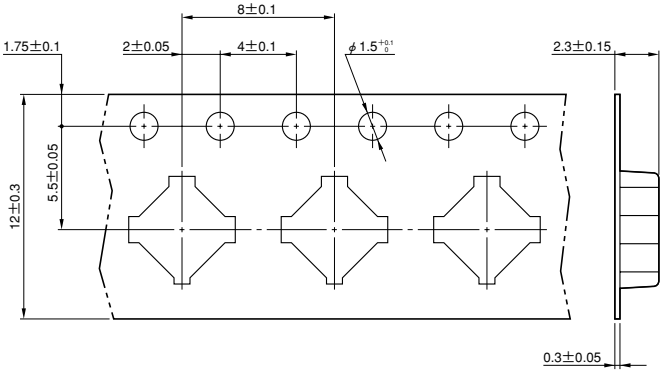


PC BOARD LAYOUT • MOUNTING SIDE (REF.)
(PC BOARD THICKNESS : 0.8mm)



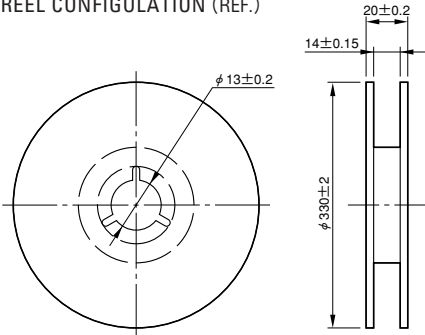
EMBOSSED TAPE REELS

Part Number : CV10-RP-M-0-E1000



(Note) 1,000 connectors/1 reel

REEL CONFIGURATION (REF.)



CV10 Series

PLUG RECEPTACLE

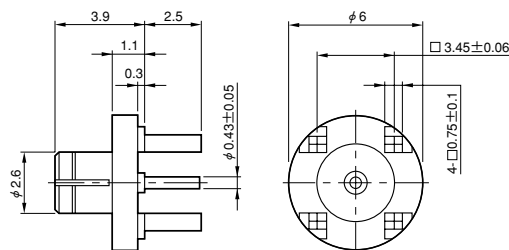
PLUG

Interchangeable with RECEPTACLE (73 Page)

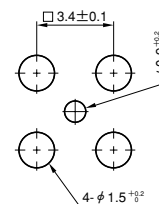
Dimensions in millimeters

PLUG RECEPTACLE

Through-hole Solder · Straight
Part Number : CV10-PLP-F-0-R



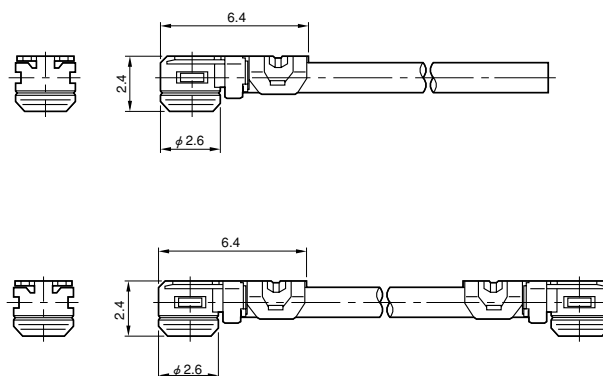
PC BOARD LAYOUT · MOUNTING SIDE (REF.)



PLUG Right-angle



For Cable application type, harnessed connectors which satisfy your specification are supplied.



Part Number

Cable Assembly Style	Part Number	Applicable Cables
One end	CV10-CA** -RPL-8DW	0.8D EQUIVALENT (SPECIAL)
Both end	CV10-CA** -2RPL-8DW	

(Note) * Add cable length (mm) .

Before placing an order

- ①The values specified in this catalogue are only for reference. The products and specifications are subject to change without notice. Contact our sales staff for further information before considering or ordering any of our products. For purchase, a product specification must be agreed upon.
- ②Users are requested to provide protection circuits and redundancy circuits to ensure safety of the equipment, and sufficiently review the suitability of JAE's products to the equipment.
- ③The products presented in this catalogue are designed for the uses recommended below. We strongly suggest you contact our sales staff when considering use of any of the products in any other way than the recommended applications or for a specific use that requires an extremely high reliability.

(1)Applications that require consultation:

- (i)Please contact us if you are considering use involving a quality assurance program that you specify or that is peculiar to the industry, such as:
Automotive electrical components, train control, telecommunications devices (mainline), traffic light control, electric power, combustion control, fire prevention or security systems, disaster prevention equipment, etc.
- (ii)We may separately give you our support with a quality assurance program that you specify, when you think of a use such as:
Aviation or space equipment, submarine repeaters, nuclear power control systems, medical equipment for life support, etc.

(2)Recommended applications include:

Computers, office appliances, telecommunications devices (terminals, mobile units), measuring equipment, audiovisual equipment, home electric appliances, factory automation equipment, etc.

Japan Aviation Electronics Industry, Limited

1-19, Aobadai 3-chome, Meguro-ku, Tokyo 153-8539, Japan
Telephone: (81)3-3780-2768 Facsimile: (81)3-3780-2883

<http://www.jae.com>

<http://www.jae-connector.com>

JAE Electronics, Inc.

142 Technology Drive, Suite 100 Irvine, California 92618-2430, U.S.A.
Telephone: (1)949-753-2600 Facsimile: (1)949-753-2699
(800)JAE-PART (523-7278) Toll free in U.S.A. except in California and Alaska

JAE Europe, Ltd.

Coliseum Business Center, Riverside Way, Camberley, Surrey GU15 3YL, U.K.
Telephone: (44)1276-404000 Facsimile: (44)1276-404010

JAE Taiwan, Ltd. <Taipei Branch Office>

4F-1, No.88, Sec.2, Chung Hsiao E.Rd., Taipei, Taiwan, R.O.C.
Telephone: (886)2-2396-7676 Facsimile: (886)2-2392-5929

JAE Hong Kong, Ltd.

Suites 1407-11,14/F., Tower2, The Gateway, 25 Canton Road,
Tsimshatsui, Kowloon, Hong Kong
Telephone: (852)2723-7782 Facsimile: (852)2723-9028

JAE Shanghai Co., Ltd.

RM1407, Shanghai Mart 2299 Yanan Road (West) Shanghai, 200336 P.R.C.
Telephone: (86)21-6236-0322 Facsimile: (86)21-6236-1292

JAE Singapore Pte Ltd.

33 Tannery Lane, #02-01 Hoesteel Industrial Building, Singapore 347789
Telephone: (65)6748-1332 Facsimile: (65)6748-2920

JAE Korea, Inc.

1602, City Air Tower, 159-9, Samsung-dong, Gangnam-gu, Seoul, 135-973 Korea
Telephone: (82)2-551-8959 Facsimile: (82)2-551-8958

