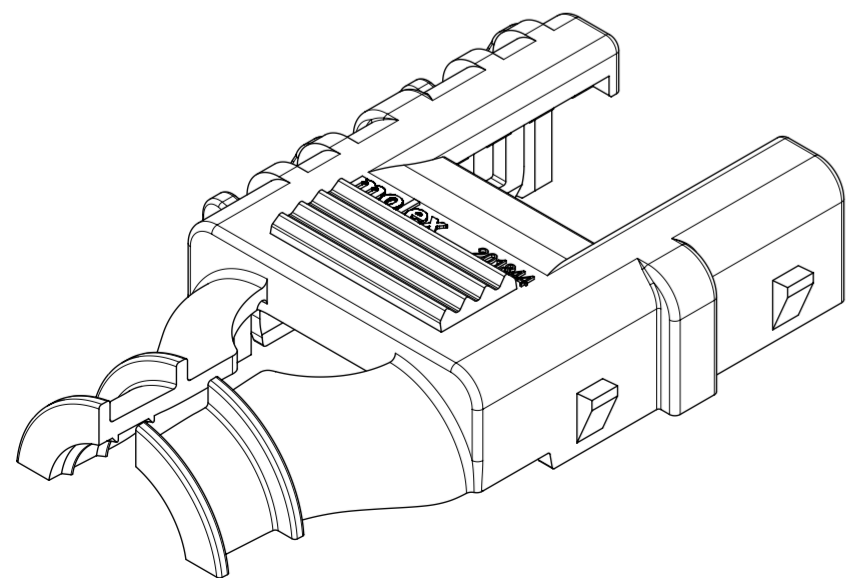
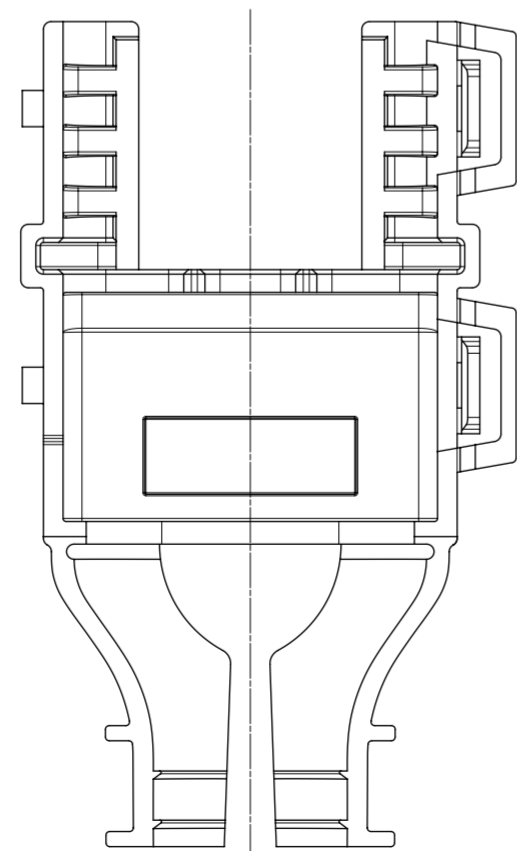
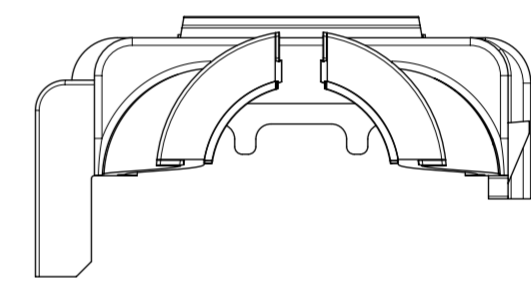
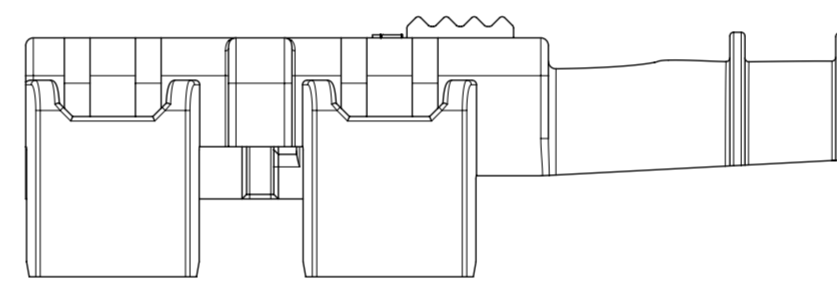
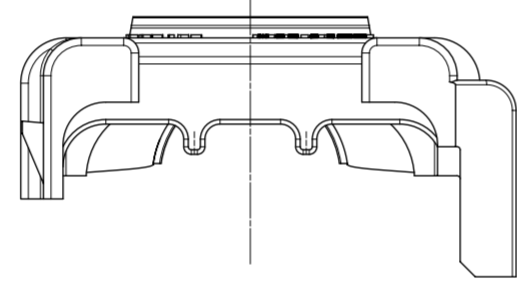
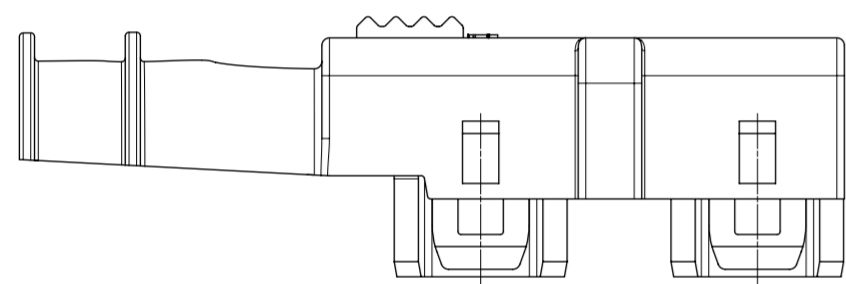


NOTES:

1. BACKSHELL MATERIAL:
PEI, UL RATED 94V-0
COLOR: SEE LEGEND
2. USE WITH PLUG/RECEPTACLE HOUSING SERIES (201840/201841)
3. 2 PARTS SNAP INTO EACH OTHER WITH 201840/201841 SERIES PARTS IN AN ASSEMBLY
4. PRODUCT SPECIFICATION: 2018400000-PS
5. PACKAGING SPECIFICATION: 2018440000-PK
6. COSMETIC SPECIFICATION PS-45499-002 CLASS B
7. APPLICATION SPECIFICATION: 2018400000-AS

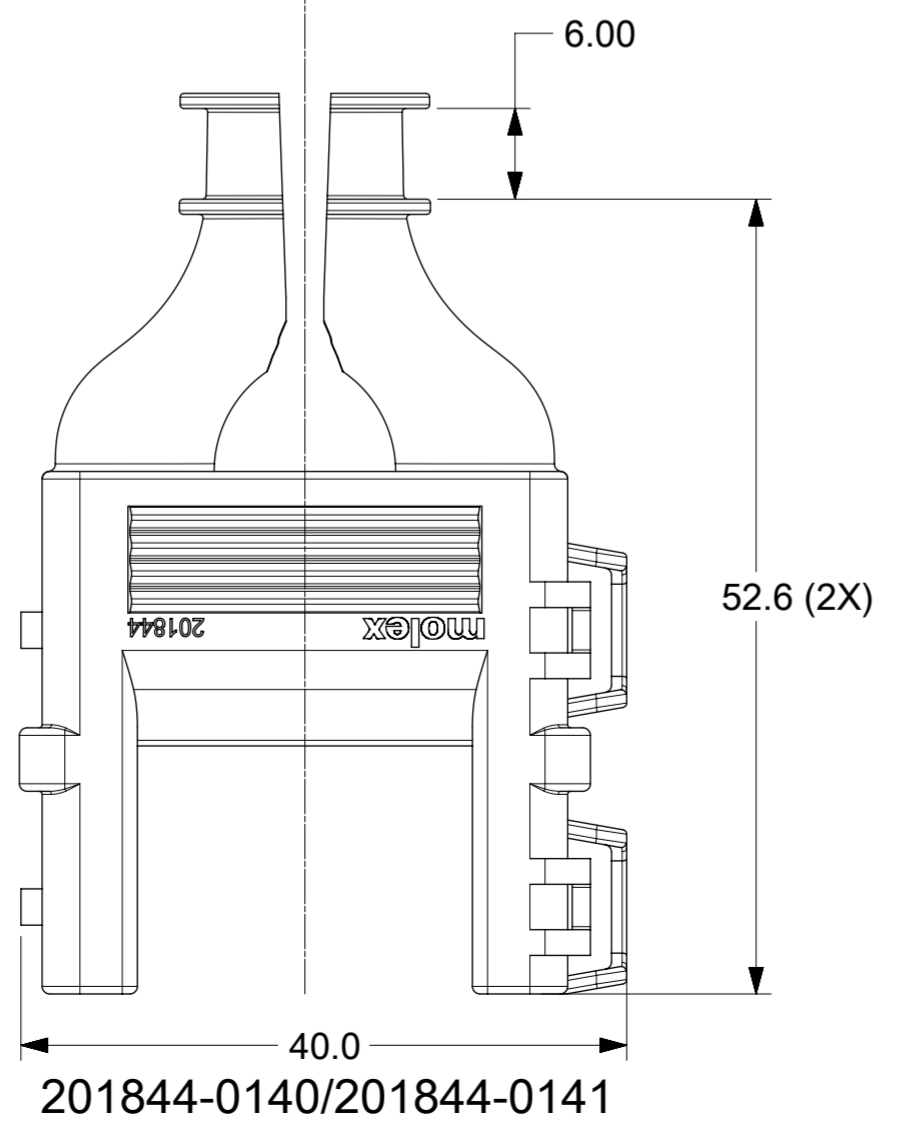
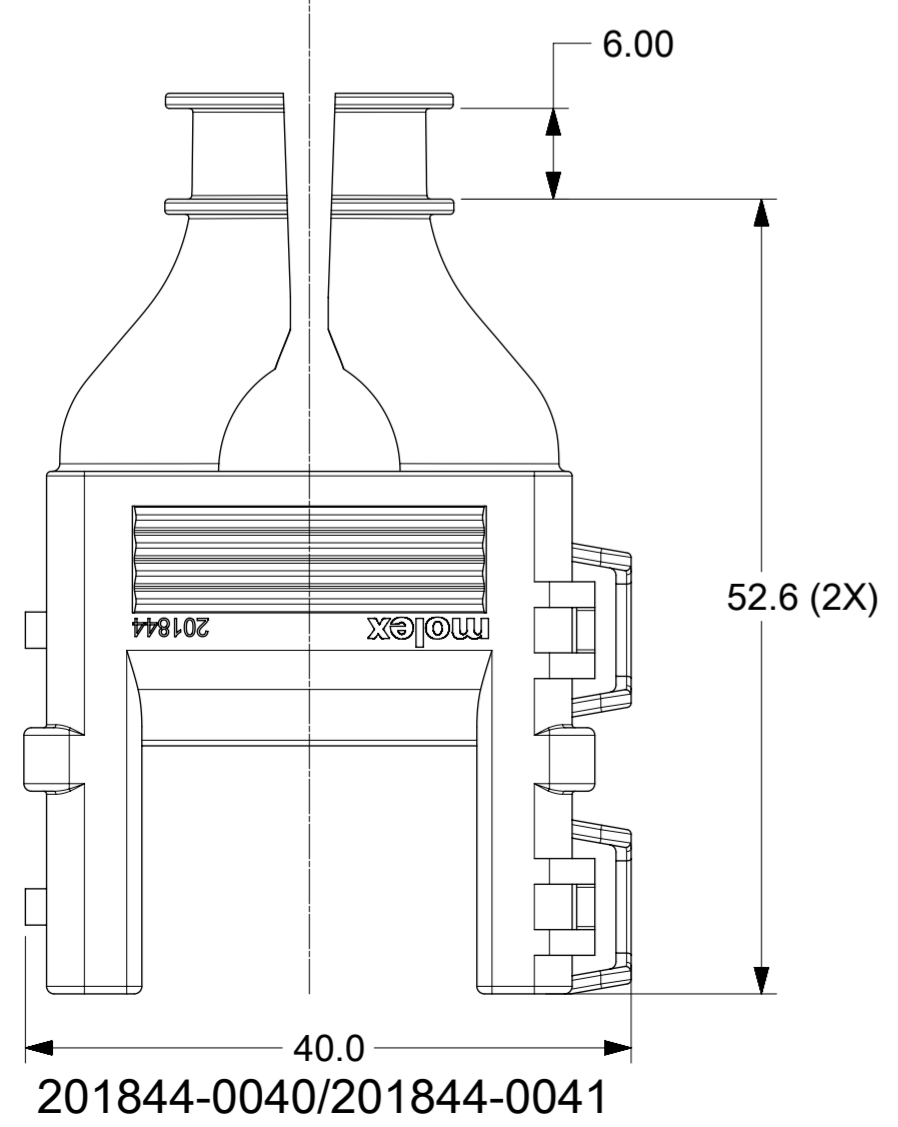
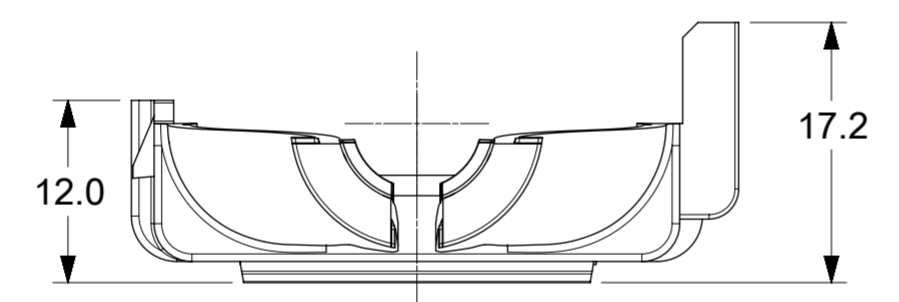
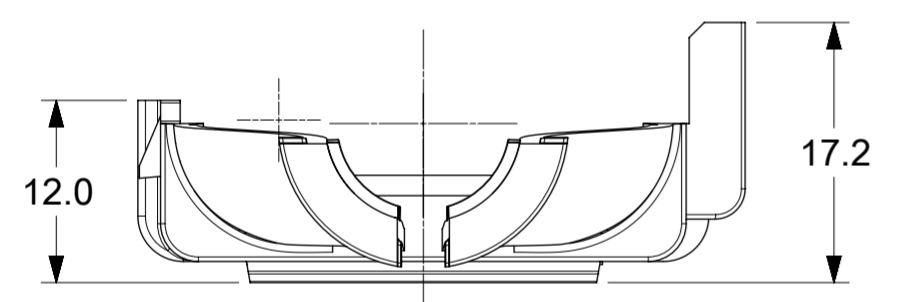
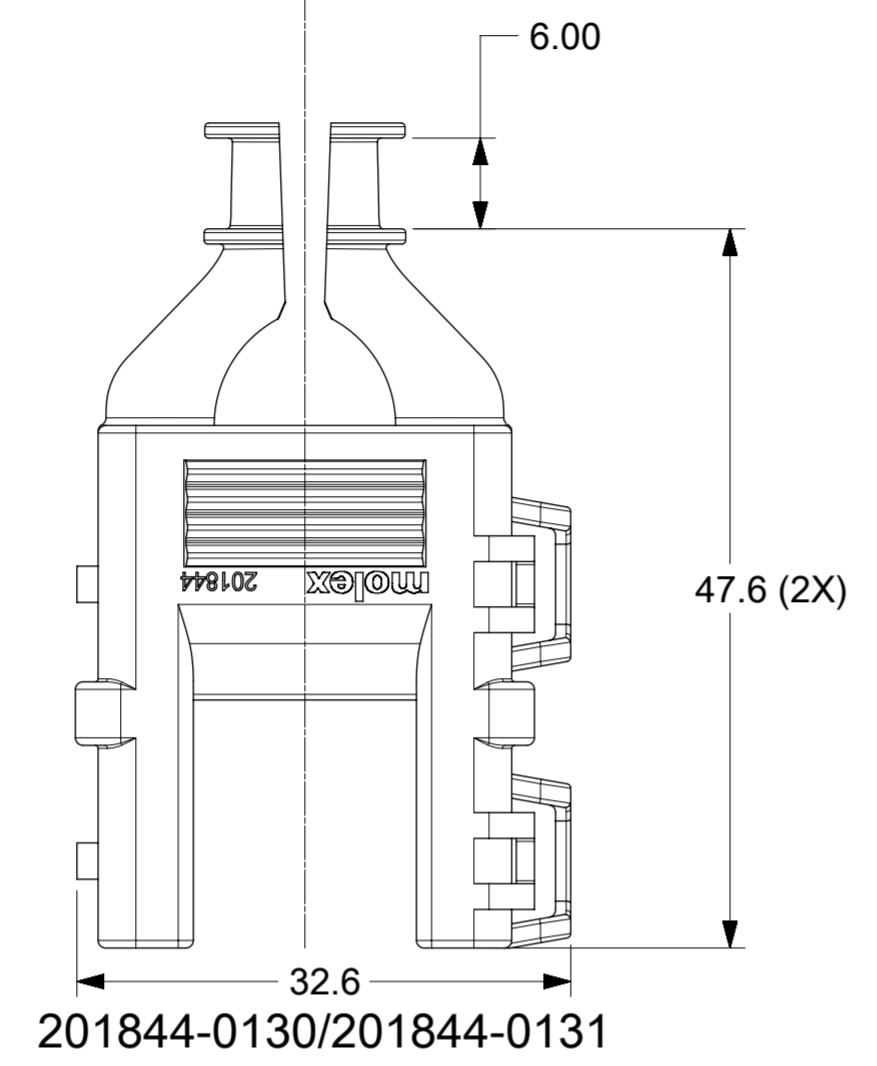
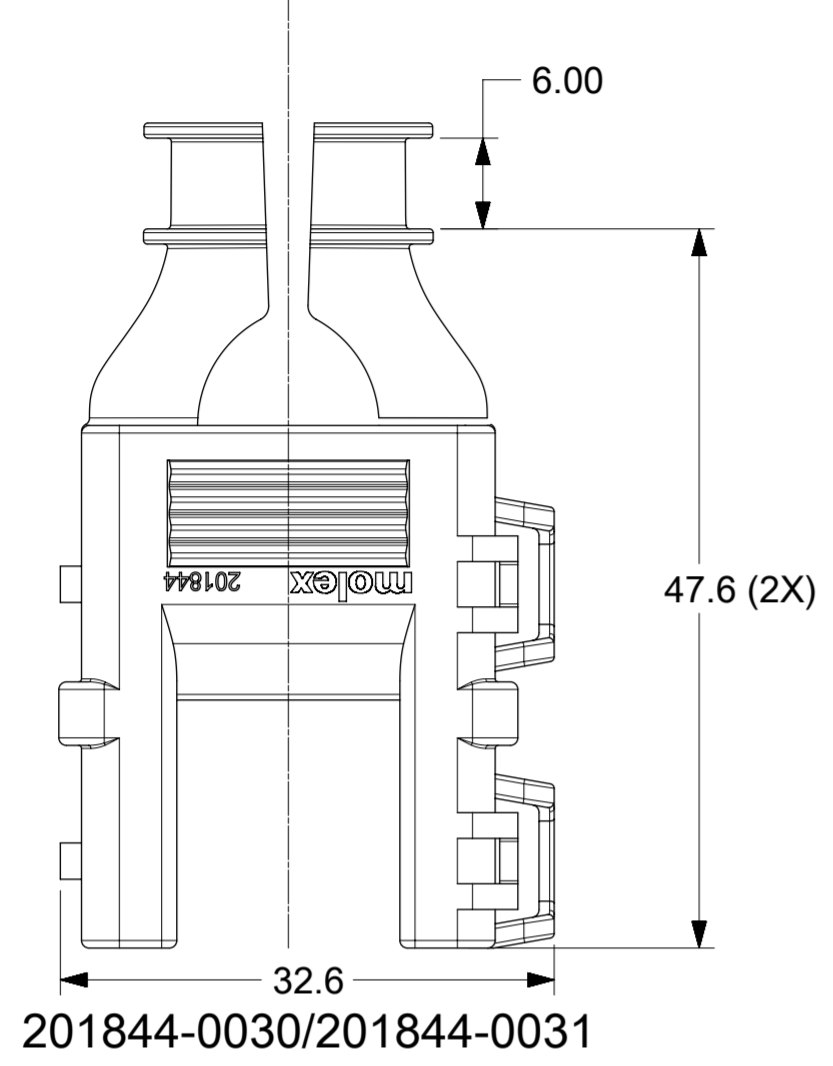
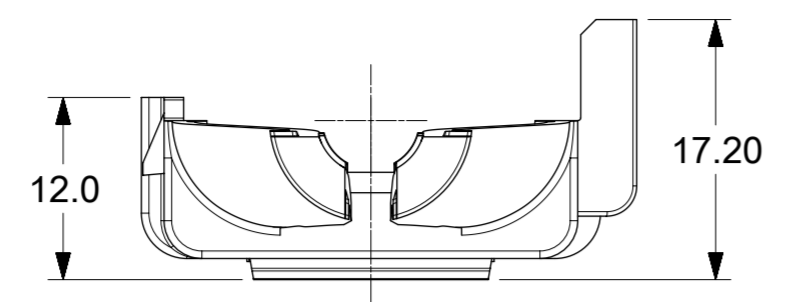
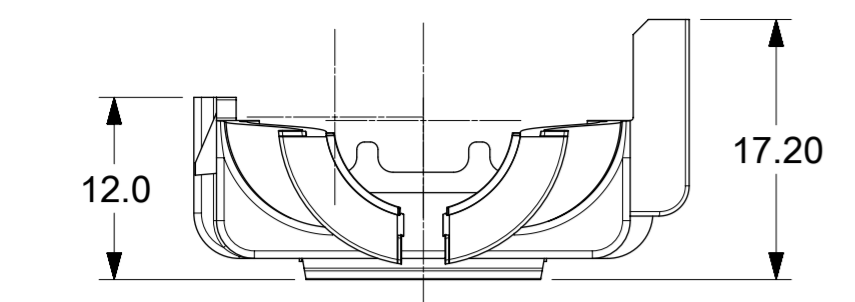


PN LEGEND

201844-0XXX

- COLOR (NOTE 1)
- 0 - BLACK
- 1 - GRAY
- CIRCUIT SIZE
- 3 - THREE CIRCUIT
- 4 - FOUR CIRCUIT
- CABLE SIZE
- 0 - 8 to 10 AWG
- 1 - 12 to 18 AWG

THIS DRAWING CONTAINS INFORMATION THAT IS PROPRIETARY TO MOLEX ELECTRONIC TECHNOLOGIES, LLC AND SHOULD NOT BE USED WITHOUT WRITTEN PERMISSION												
PRODUCTION RELEASE EC NO: 114425 DRWN: NCSR CHKD: REV / APPR: KPRASAD	2017/03/13	2017/03/16	GENERAL TOLERANCES (UNLESS SPECIFIED)	DIMENSION UNITS	SCALE	molex MULTICAT BACKSHELL (WTW)						
			ANGULAR TOL ± 0.5 °	MM	2:1							
	4 PLACES ±		4 PLACES ±	DRWN BY	DATE	PRODUCT CUSTOMER DRAWING						
	3 PLACES ±		3 PLACES ±	NCSR	2017/03/13							
	2 PLACES ± 0.25		2 PLACES ± 0.25	CHK'D BY	DATE	SERIES MATERIAL NUMBER CUSTOMER 201844 SEE SHEET 2 GENERAL MARKET						
1 PLACE ± 0.4		1 PLACE ± 0.4	KPRASAD	2017/03/16								
0 PLACES ±		0 PLACES ±	APPR BY	DATE	DRAWING SIZE THIRD ANGLE PROJECTION A2							
DRAFT WHERE APPLICABLE MUST REMAIN WITHIN DIMENSIONS			DRAWING SIZE		THIRD ANGLE PROJECTION		DOCUMENT NUMBER		DOC TYPE		DOC PART SHEET NUMBER	
			A2				2018440000-SD		PSD		000 1 OF 2	



THIS DRAWING CONTAINS INFORMATION THAT IS PROPRIETARY TO MOLEX ELECTRONIC TECHNOLOGIES, LLC AND SHOULD NOT BE USED WITHOUT WRITTEN PERMISSION											
PRODUCTION RELEASE EC NO: 114425 DRWN: NCSR CHKD: REV / APPR: KPRASAD	2017/03/13	2017/03/16	GENERAL TOLERANCES (UNLESS SPECIFIED)		DIMENSION UNITS	SCALE	molex MULTICAT BACKSHELL (WTW)				
			ANGULAR TOL ± 0.5 °		MM	2:1					
	4 PLACES ±		3 PLACES ±		DRWN BY		DATE		NCSR 2017/03/13		
	2 PLACES ± 0.25		1 PLACE ± 0.4		CHK'D BY		DATE				
	0 PLACES ±		DRAFT WHERE APPLICABLE MUST REMAIN WITHIN DIMENSIONS		APPR BY		DATE		PRODUCT CUSTOMER DRAWING		
	A		A2		KPRASAD		2017/03/16		SERIES	MATERIAL NUMBER	CUSTOMER
				DRAWING SIZE		THIRD ANGLE PROJECTION		201844	SEE SHEET 2	GENERAL MARKET	
								DOCUMENT NUMBER	DOC TYPE	DOC PART	SHEET NUMBER
								2018440000-SD	PSD	000	2 OF 2