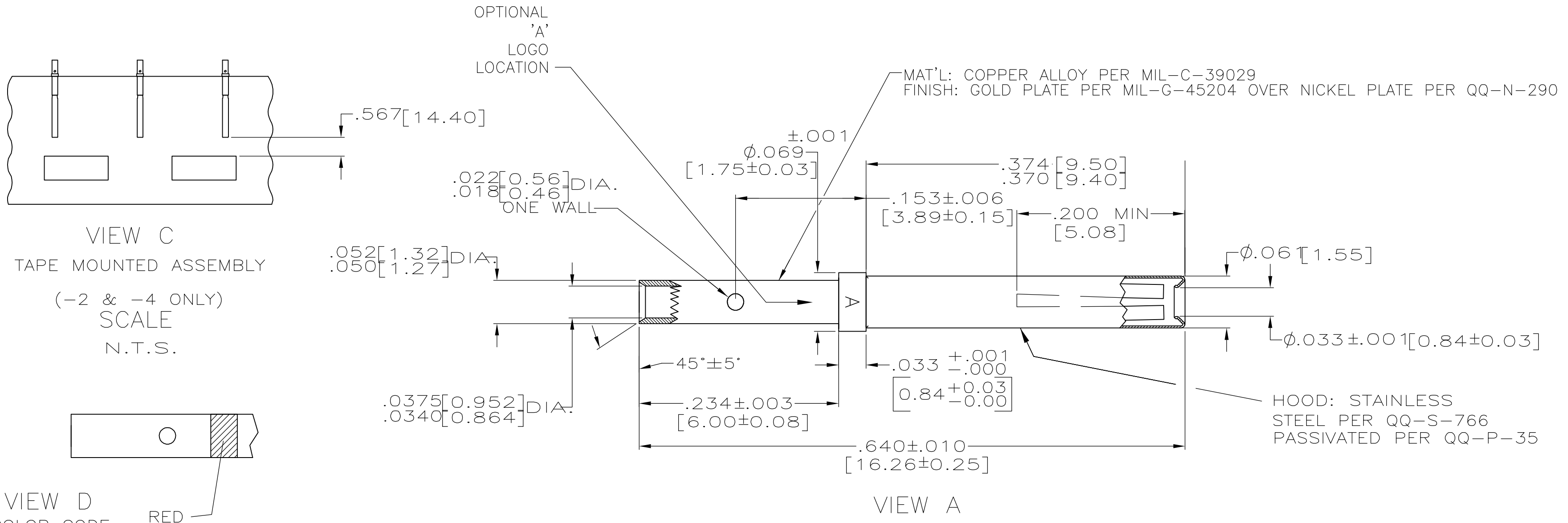
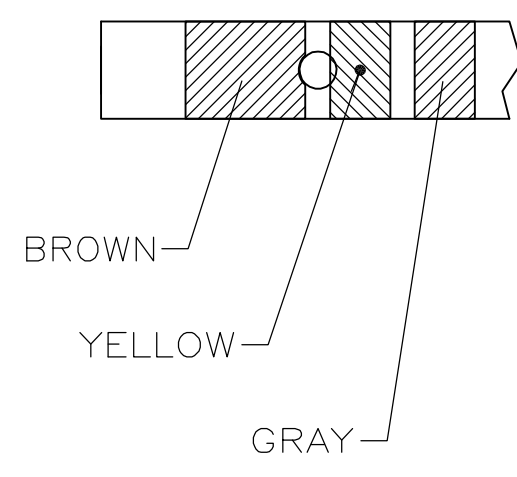


THIS DRAWING IS UNPUBLISHED. RELEASED FOR PUBLICATION  
 © COPYRIGHT BY TYCO ELECTRONICS CORPORATION. ALL RIGHTS RESERVED.

LOC		DIST		REVISIONS			
P	LTR	DESCRIPTION		DATE	DWN	APVD	
DF	A0	V		REV PER OH14-0144-04	8-10-05	VF	CT



OBSOLETE	-----	205103-8
	SEE VIEW D	205103-7
OBSOLETE	-----	205103-6
OBSOLETE	-----	205103-5
	SEE VIEW B+C	205103-4
	SEE VIEW B	205103-3
OBSOLETE	-----	205103-2
	SEE VIEW A	205103-1
	REMARKS	PART NO.



VIEW B  
 COLOR CODE  
 (-3 -4 ONLY)

VIEW D  
 COLOR CODE  
 (-7 ONLY)

VIEW C  
 TAPE MOUNTED ASSEMBLY  
 (-2 & -4 ONLY)  
 SCALE  
 N.T.S.

THIS DRAWING IS A CONTROLLED DOCUMENT.		DWN JESSE BAKER 08-04-92	Tyco Electronics Corporation Harrisburg, Pa 17105-3608	
DIMENSIONS: INCHES		CHK ALEX SHARPE 09-16-92	AMP	
TOLERANCES UNLESS OTHERWISE SPECIFIED:		APVD -	ASSEMBLY, SOCKET, SIZE 22 ARINC404, REAR RELEASE	
0 PLC ± -		PRODUCT SPEC -	SIZE A2	CAGE CODE 00779
1 PLC ± -		APPLICATION SPEC -	DRAWING NO C=205103	RESTRICTED TO -
2 PLC ± -		WEIGHT -	SCALE 10:1	SHEET 1 OF 1
3 PLC ± .005 [0.13]		CUSTOMER DRAWING	REV V	
4 PLC ± -				
ANGLES ± -				
FINISH SEE CALLOUTS				