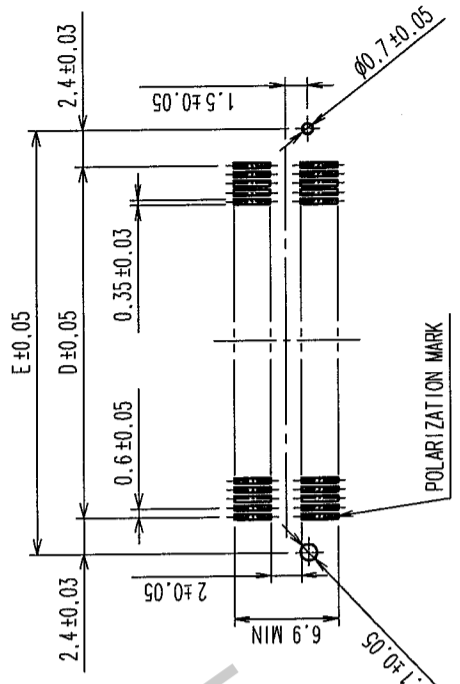


COUNT	DESCRIPTION OF REVISIONS	BY	CHKD	DATE	COUNT	DESCRIPTION OF REVISIONS	BY	CHKD	DATE
3	RE-F-09671	K.N	H.Y	04.04.08					

RECOMMENDED LAND PATTERN DIMENSION OF P.C.B. (MOUNTING SIDE)



DIMENSION TABLE OF CONNECTOR AND P.C.B. LAND PATTERN.

PART No.	CODE No.	5	A	B	C	D	E
FX8C-60P-SV1(92)	CL578-0521-6-92	60	24.60	23.00	20.70	17.40	22.20
FX8C-80P-SV1(92)	CL578-0523-1-92	80	30.60	29.00	26.70	23.40	28.20
FX8C-100P-SV1(92)	CL578-0525-7-92	100	36.60	35.00	32.70	29.40	34.20
FX8C-120P-SV1(92)	CL578-0526-0-92	120	42.60	41.00	38.70	35.40	40.20
FX8C-140P-SV1(92)	CL578-0527-2-92	140	48.60	47.00	44.70	41.40	46.20

- NOTE 1. LEAD CO-PLANARITY SHALL BE 0.1mm MAX.
 2. EMBOSSED CARRIER TAPE PACKAGING SHALL BE APPLIED FOR THIS PRODUCT.
 SEE NEXT PAGE FOR DETAILS.
 3. FOR MODIFICATION, ETC., PREVENTIVE HOLE FOR SINK MARK MAY BE ADDED ACCORDING TO CIRCUMSTANCES.
 4. THE DIMENSIONS IN PARENTHESES ARE FOR REFERENCE.
 5 NUMBER OF CONTACTS.

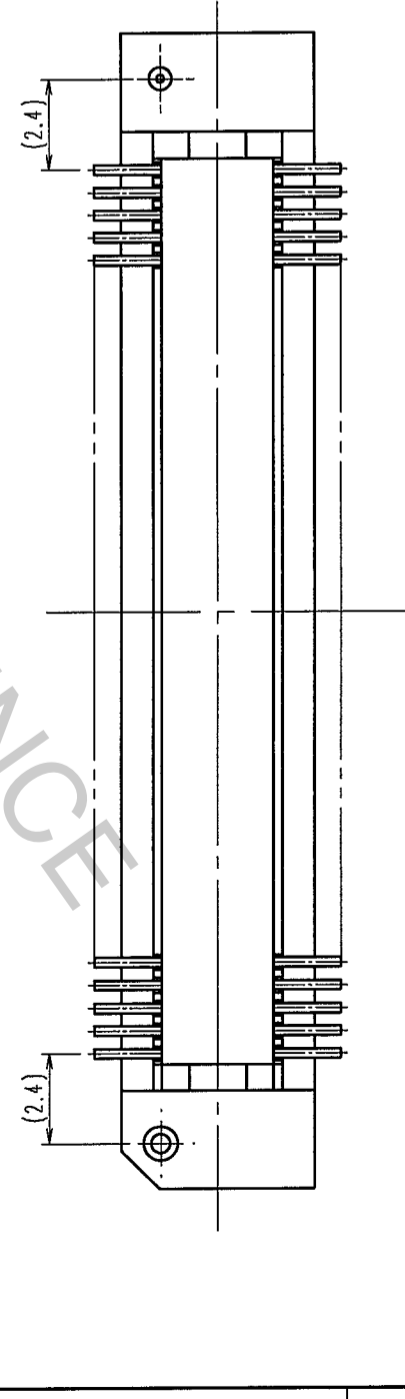
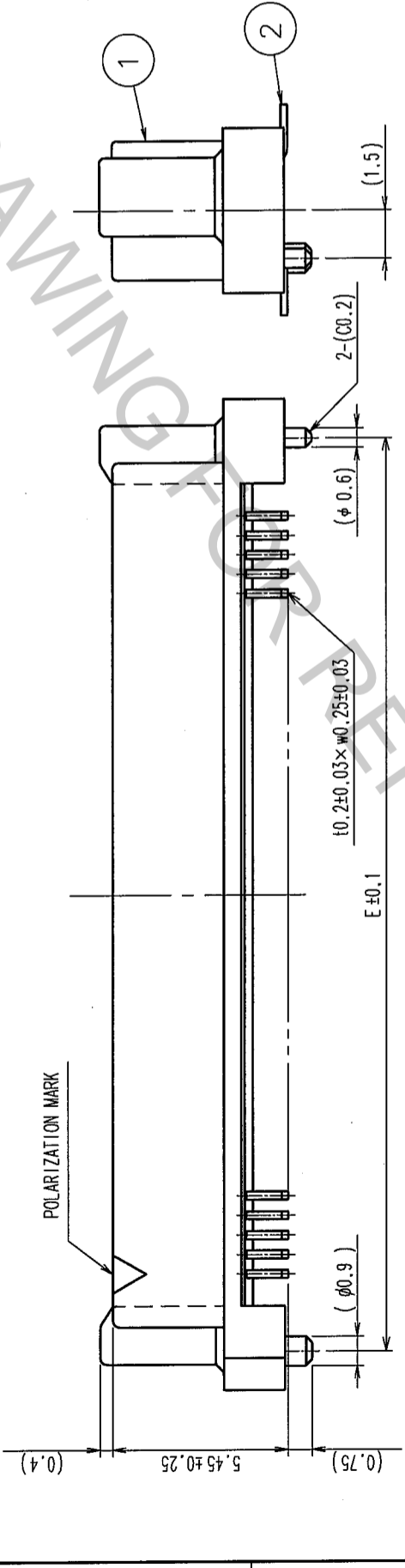
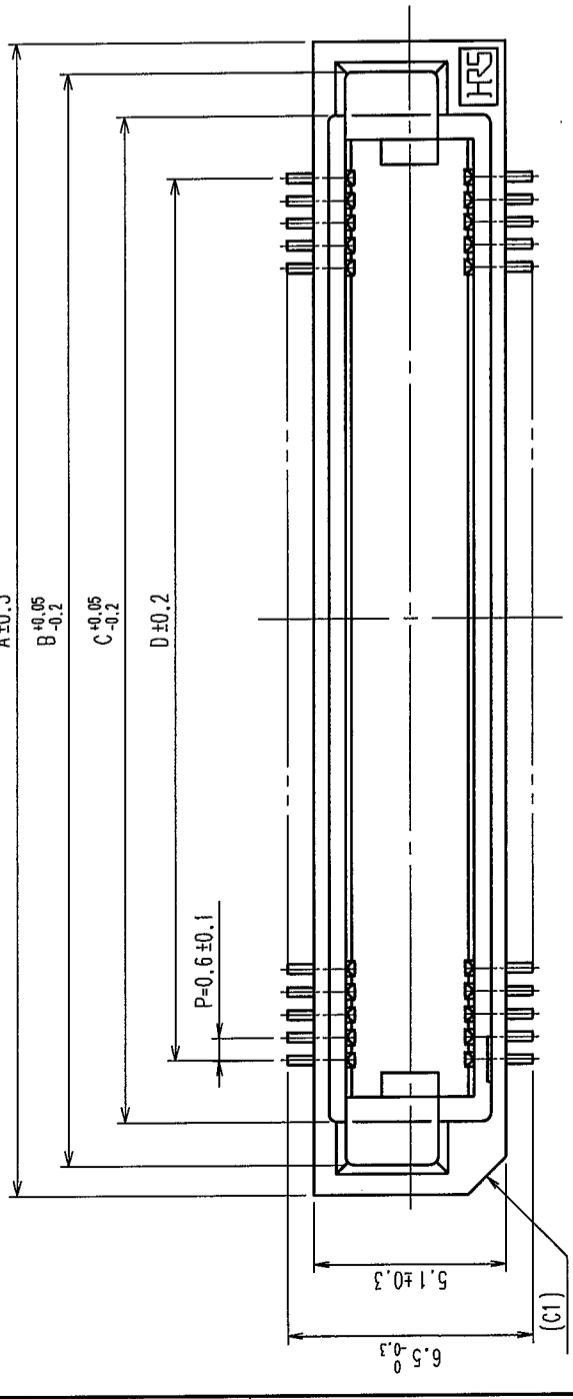
NO.	MATERIAL	FINISH, REMARKS	NO.	MATERIAL	FINISH, REMARKS
1	PPS	LIGHT BROWN (UL94V-0)	2	PHOSPHOR BRONZE	
CONTACT AREA: GOLD 0.1µm min		LEAD AREA: TIN-PLATING 1µm min		UNDER PLATING: NICKEL 1µm min	

NO.	MATERIAL	FINISH, REMARKS	NO.	MATERIAL	FINISH, REMARKS
1	PPS	LIGHT BROWN (UL94V-0)	2	PHOSPHOR BRONZE	

CODE NO. (OLD)	SCALE	UNITS	DRAWN	DESIGNED	CHECKED	APPROVED	RELEASED
CL	FREE	mm	S.SUZUKI	K.NAKAMURA	H.OKAWA	Y.YOSHIMURA	
			03.02.03	03.02.12	03.02.14	03.02.15	

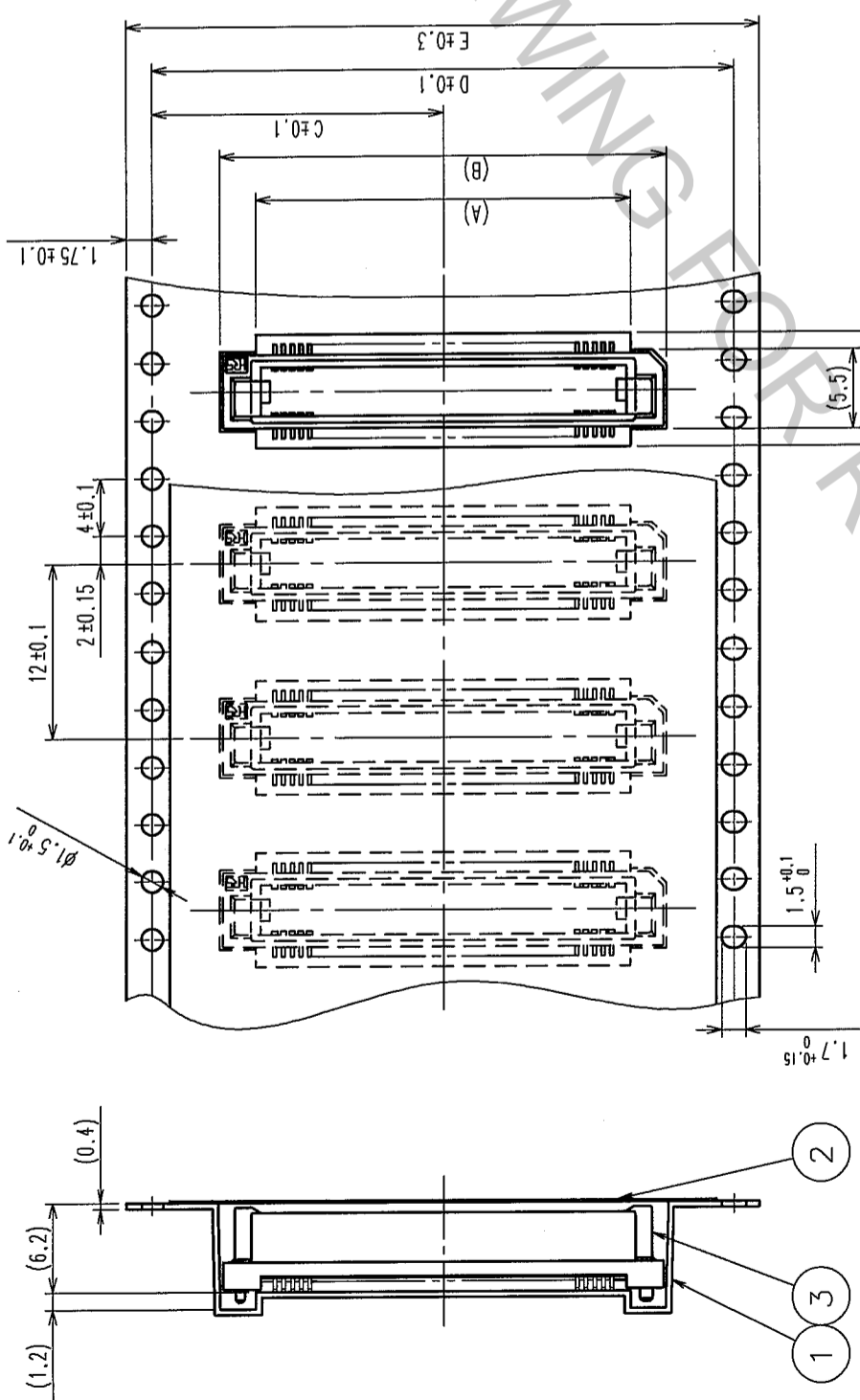
DRAWING NO.	PART NO.
EDC3-151087-22	FX8C-**P-SV1(92)

TO	PCK



COUNT	DESCRIPTION OF REVISIONS	BY	CHKD	DATE	COUNT	DESCRIPTION OF REVISIONS	BY	CHKD	DATE

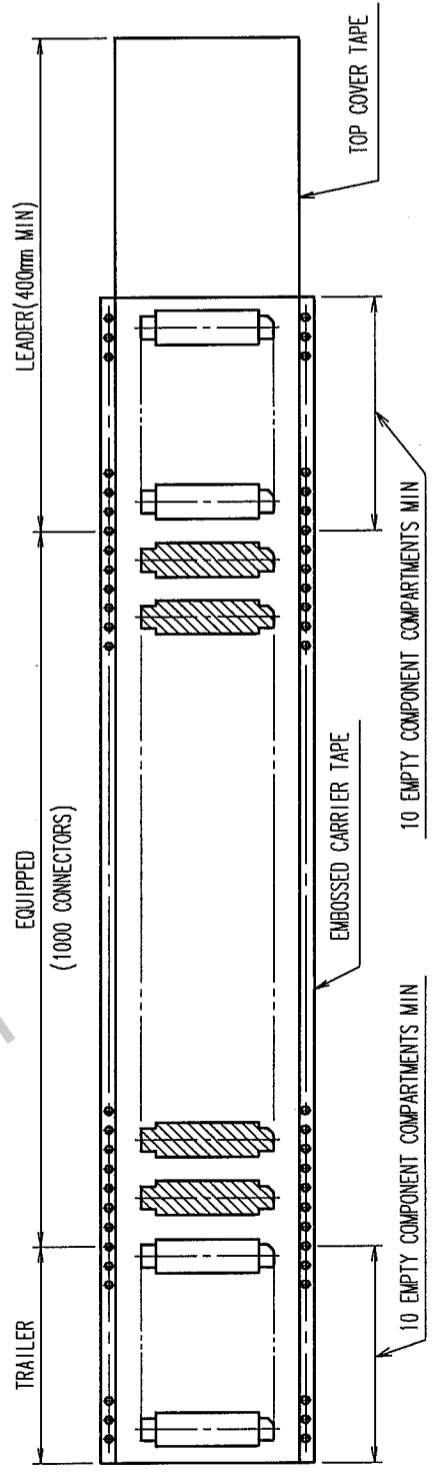
REEL DIMENSION



△ DIMENSION TABLE OF EMBOSSED CARRIER TAPE AND REEL.

PART No.	CODE No.	A	B	C	D	E	F
FX8C-60P-SV1(92)	CL578-0521-6-92	20	25	20.2	40.4	44	44.4
FX8C-80P-SV1(92)	CL578-0523-1-92	26	31	20.2	40.4	44	44.4
FX8C-100P-SV1(92)	CL578-0525-7-92	32	37	26.2	52.4	56	56.4
FX8C-120P-SV1(92)	CL578-0526-0-92	38	43	26.2	52.4	56	56.4
FX8C-140P-SV1(92)	CL578-0527-2-92	44	49	34.2	68.4	72	72.4

NOTE 1 1 REEL : 1000 CONNECTORS
 2 NUMBER OF CONTACTS



2 POLYESTER (TOP COVER TAPE)		3 (CONNECTOR)							
NO.	MATERIAL	FINISH, REMARKS	NO.	MATERIAL	DESIGNED	CHECKED	APPROVED	RELEASED	
1	PS	(EMBOSSED CARRIER TAPE)	3						
CODE NO. (OLD) CL		DRAWN S. SUZUKI		DESIGNED K. NAKAMURA		CHECKED H. OKAWA		APPROVED Y. YOSHIMURA	
		03.02.03		03.02.12		03.02.14		03.02.15	
DRAWING NO. EDC3-151087-22		PART NO. FX8C-**P-SV1(92)							
SCALE FREE		UNITS MM							
		HIROSE ELECTRIC CO., LTD		CODE NO. CL578					

TO
PCK