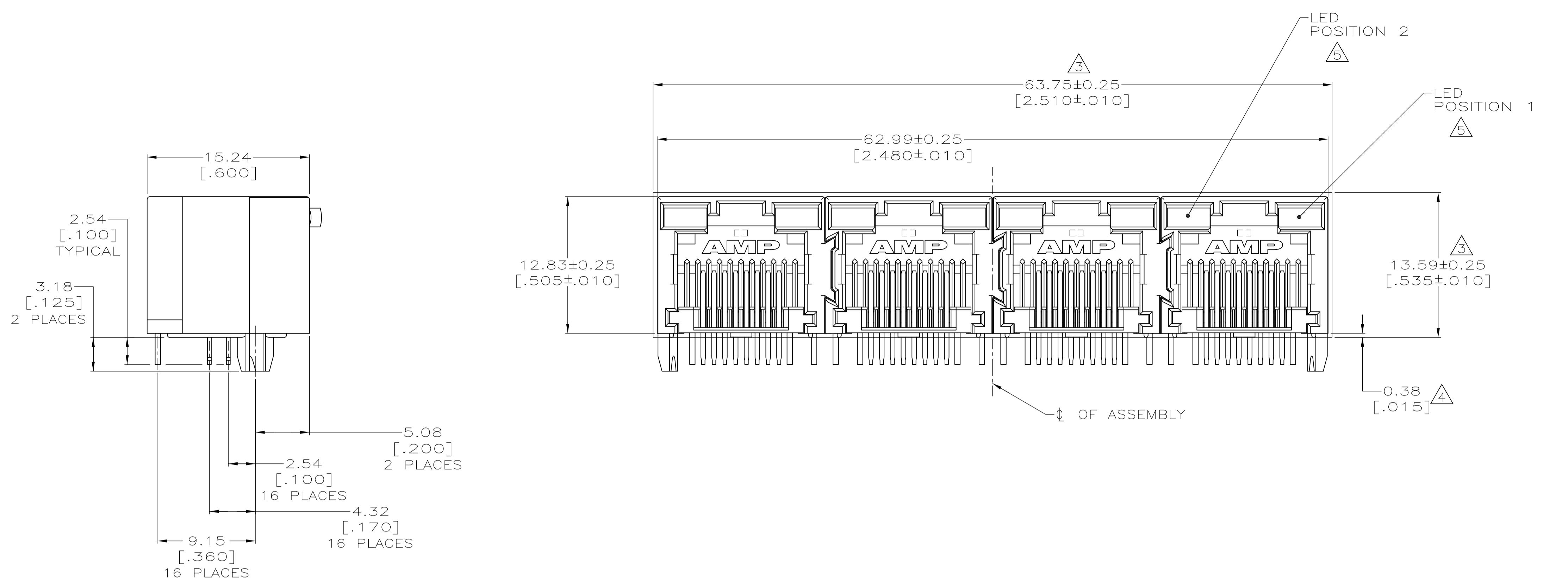
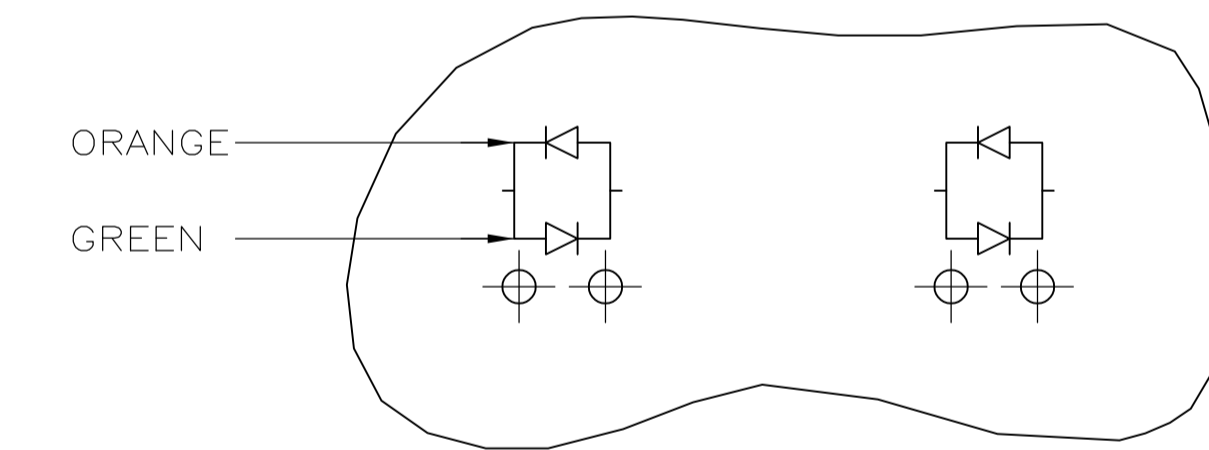
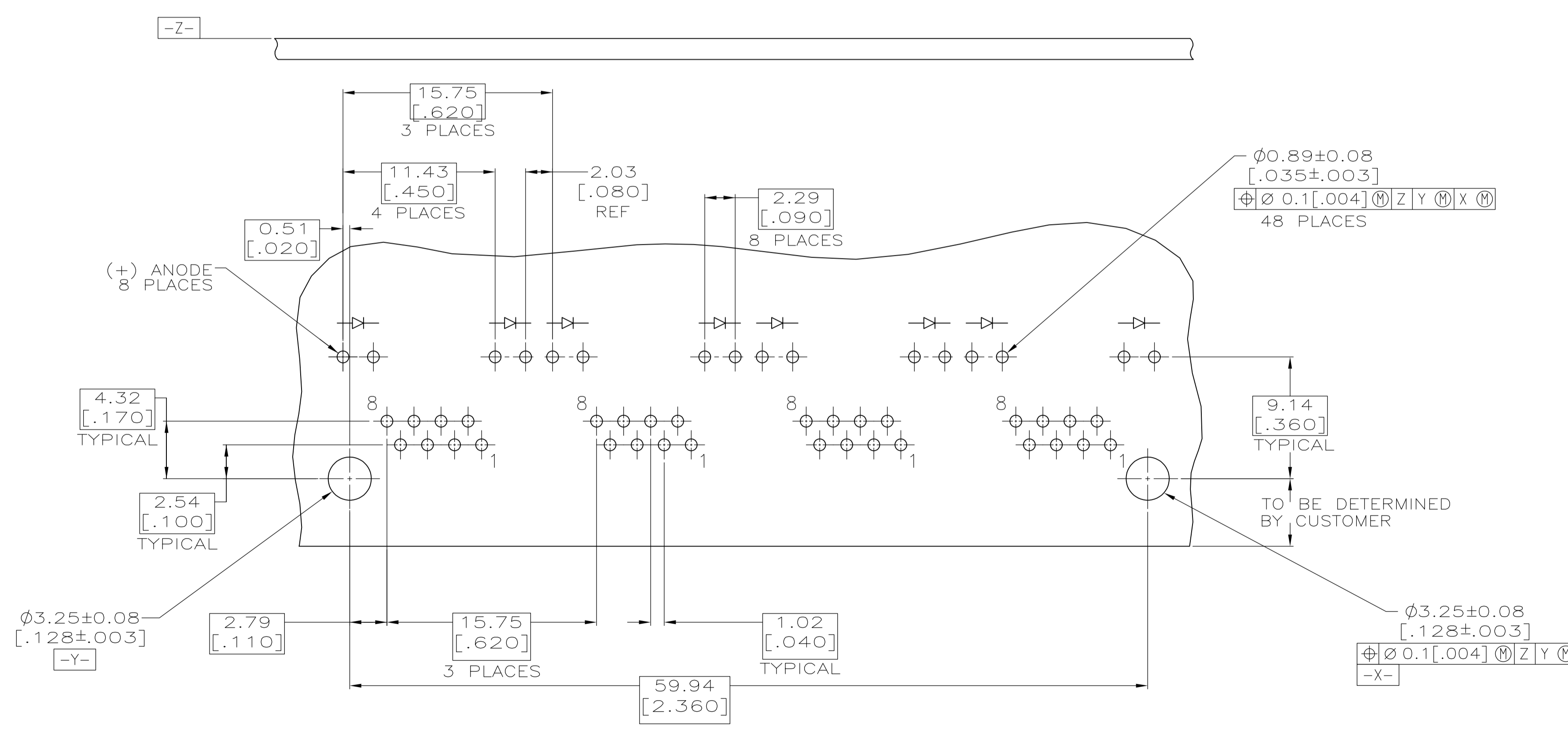


LOC	DIST	REVISIONS			
F	LTR	DESCRIPTION	DATE	DWN	APVD
B		ECO-06-009238	22APR2006	LAM	JW
B1		REVISED PER ECO-09-024927	09NOV09	KK	AEG



- MATERIAL:
 HOUSING - HIGH TEMPERATURE THERMOPLASTIC, BLACK, UL94V-0.
 TERMINALS - .36[.014] THICK PHOS BRONZE PLATED WITH 3.81µm[.000150] MINIMUM THICK MATTE TIN IN SOLDER AREA. 1.27µm [.000050] MINIMUM GOLD IN LOCALIZED PLATE AREA. ENTIRE TERMINAL PLATED WITH 1.27µm [.000050] MINIMUM THICK NICKEL.
 LIGHT EMITTING DIODE (LED) - DIFFUSED EPOXY LENS, 0.51 x 0.51[.020 x .020] CARBON STEEL WIREFRAME LEADS PREPLATED WITH 8.89 µm[.0003500] THICK Sn/Cu OVER 2.03 µm[.000080] THICK Ag OVER 1.02µm[.000040] THICK Cu OVER 3.56 µm[.000140] THICK Ni OVER 1.02µm[.000040] Cu UNDERPLATE
 - JACK CAVITY CONFORMS TO FCC RULES AND REGULATIONS PART 68, SUBPART F.
- △ SUGGESTED PANEL OPENING DIMENSIONS.
 △ SUGGESTED CLEARANCE BETWEEN BOTTOM OF CONNECTOR AND BOTTOM PANEL OPENING.
 △ SEE TABLE FOR COLOR OF LEDS AND NUMBER REQUIRED.
- THIS MODULAR JACK WITH INTEGRATED LED IS NOT IR REFLOW SOLDERING PROCESS COMPATIBLE.
 - OBSOLETE PARTS: OBSOLETE CIS STREAMLINING PER D.RENAUD/D.SINISI



LED CURRENT DIAGRAM
 OBSOLETE 5406536-7 ONLY

	GREEN	GREEN	5406536-8
	ORANGE/GREEN	ORANGE/GREEN	-5406536-7
	YELLOW	YELLOW	-5406536-6
	GREEN	YELLOW	-5406536-4
	YELLOW	-	-5406536-3
	-	GREEN	-5406536-2
	YELLOW	GREEN	5406536-1
	POSITION 2	POSITION 1	
	INDICATOR COLOR FOR EACH HOUSING		PART NUMBER

SUGGESTED PRINTED CIRCUIT BOARD LAYOUT
 (COMPONENT SIDE)

THIS DRAWING IS A CONTROLLED DOCUMENT.

DIMENSIONS: mm[inches]	TOLERANCES UNLESS OTHERWISE SPECIFIED: 0 PLC ± - 1 PLC ± - 2 PLC ± 0.25[.01] 3 PLC ± 0.13[.005] 4 PLC ± - ANGLES ± -	DWN: J. ALCORTA - 15JUN2005 CDR: J. WESTMAN - 15JUN2005 APVD: S. FLICKINGER - 15JUN2005 PRODUCT SPEC: 108-1163-4 APPLICATION SPEC: 114-2154 WEIGHT: - CUSTOMER DRAWING: -	Tyco Electronics Corporation Harrisburg, PA 17105-3608 NAME: INVERTED MODULAR JACK ASSEMBLY, 1X4, LED SIZE: A1 CAGE CODE: 00779 DRAWING NO: 5406536 RESTRICTED TO: - SCALE: 4:1 SHEET: 1 OF 1 REV: B1
---------------------------	--	---	--