

THIS DRAWING IS UNPUBLISHED.

RELEASED FOR PUBLICATION

ALL RIGHTS RESERVED.

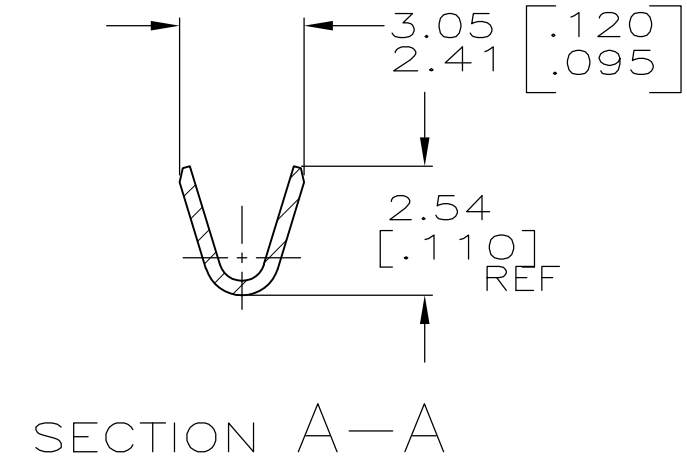
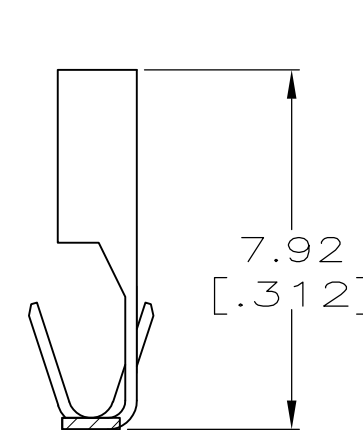
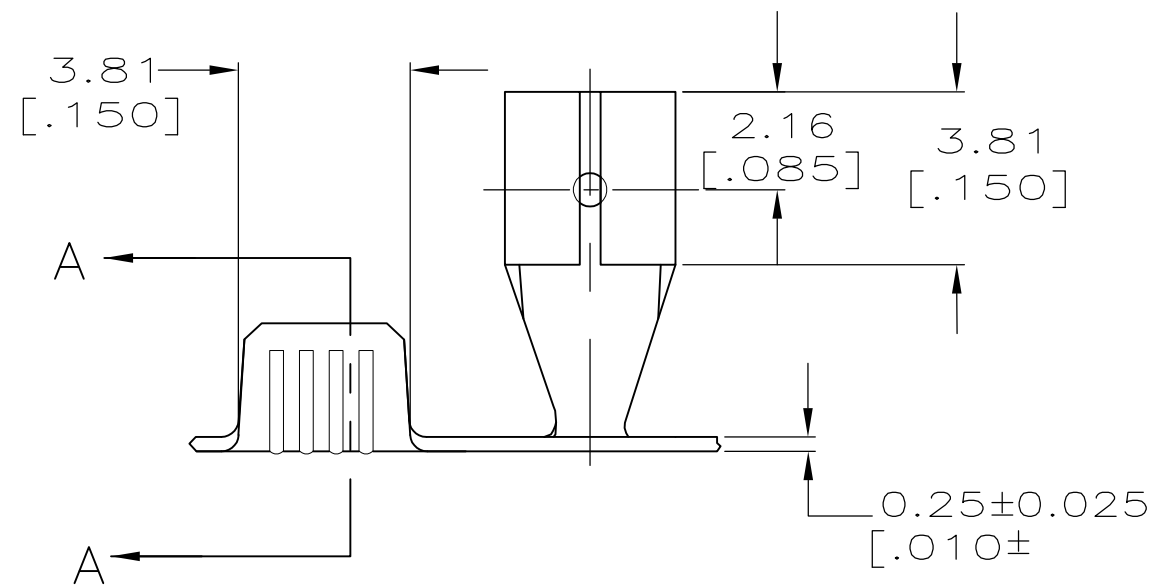
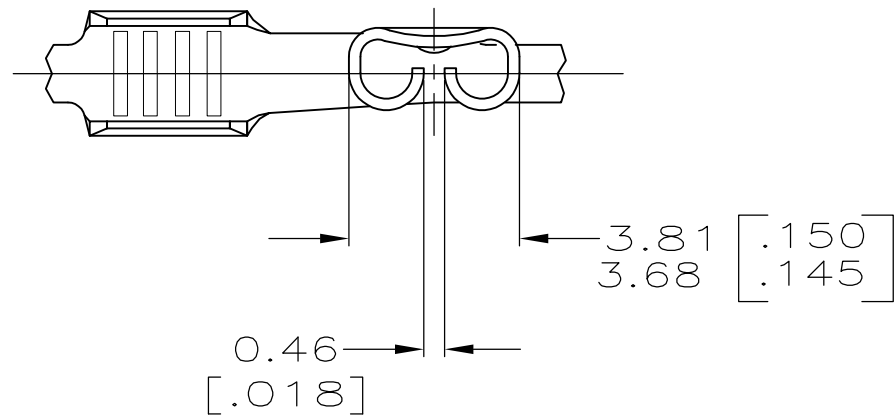
© COPYRIGHT - By -

LOC AF DIST 50

REVISIONS

P	LTR	DESCRIPTION	DATE	DWN	APVD
	J	REVISED PER ECR-12-013459	28NOV2012	KH	PD

1 CONTINUOUS STRIP ON REELS.

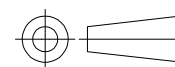


STRIP LENGTH	TYPE	WIDTH	HEIGHT	WIRE
5.59 [.220]	F	1.78 [.070]	1.42 [.056]	16
			1.19 [.047]	18
			1.04 [.041]	20
			0.96 [.038]	22
±0.38 [.015]			±0.051 [.002]	

WIRE BARREL CRIMP

THIS DRAWING IS A CONTROLLED DOCUMENT.

DIMENSIONS:
mm [INCHES]




TOLERANCES UNLESS OTHERWISE SPECIFIED:

0 PLC	± -
1 PLC	± -
2 PLC	± 0.38 [.015]
3 PLC	± -
4 PLC	± -
ANGLES	± -

MATERIAL
BRASS

FINISH
PRE-TIN

[#22-#16] AWG	0.51±0.025 [.020±.001]	61549-1
WIRE SIZE	MATING TAB THICKNESS	PART NO.
DWN JR RUTH 4/18/96	 TE Connectivity	
CHK MS FEHER 4/18/96		
APVD P DESANTIS 4/18/96		
PRODUCT SPEC -	NAME RECEPTACLE, FASTON, 2.79 [.110] SERIES	
APPLICATION SPEC 114-2028	SIZE A3	CAGE CODE 00779
WEIGHT -	DRAWING NO C-61549	RESTRICTED TO -
CUSTOMER DRAWING	SCALE 6:1	SHEET 1 OF 1
		REV J