

## CONTENT

NO.	DESCRIPTION
<b>1</b>	<b>Product characteristics</b>
1 .1	General description
1 .2	Electrical characteristics
1 .3	Mechanical characteristics
1 .4	Adaptor colour
<b>2</b>	<b>Attachment</b>
(Att. 1)	Circuit diagram
(Att. 2)	Test circuit
(Att. 3)	Label
(Att. 4)	Outdrawing
(Att. 5)	Package
(Att. 5.1)	Package flow chart
(Att. 6)	Dc cord drawing
(Att. 7)	Assembly drawing
(Att. 8)	Material list

**1. Product Characteristics:**
**1.1 General Description:**

Model DPR050030-P6P-SZ (customer NO. \_\_\_\_\_) is a wall-mount AC/DC adaptor. The output voltage is 5V DC at loading 300 mA under a rated input voltage 120 VAC.

**1.2 Electrical Characteristics:**

1.2.1 Primary rated voltage & frequency: 120 VAC 60 Hz 6 W.

1.2.2 Primary exciting current: 50 mA r.m.s MAX.

1.2.3 Secondary rated voltage & current:

The adaptor described by this specification shall meet the following output requirement given in the test circuit as shown in item (1.2.5).

Input Voltage(VAC)	Output Load Current(mA)	Output Voltage(VDC)	Ripple Voltage(r.m.s)
120	300	5V ±5%	
120	0	5V ±5%	

1.2.4 Temperature rise of primary winding: 70 °C MAX.at input 120 VAC 60 Hz, loading 300 mA,by using resistance method.

1.2.5 Insulation resistance: insulation resistance between input and output plug,and between winding and core,shall not be less than 100 MΩ measured by 500 VDC insulation resistance tester.

1.2.6 HI-POT test: 1240 VAC (2mA) for 1 minute (or 1600 VAC(2mA) for 1 second in the mass production) between AC plug and DC plug. 1600 VAC(2mA)for 1 second between primary winding and secondary winding ,and between primary winding and core. 750 VAC (2mA) for 1 second between secondary winding and core.

1.2.7 Safety standard: **UL/cUL.**

1.2.8 Unit weight: *about 176g*

1.2.9 Humidity test:In an ambient temperature of 40 °C±2°C,relative humidity 90-95% for 96 hours, unit should meet the requirements of item (1.2.6) and minimum 10 MΩ insulation resistance after 10 minutes.

1.2.10 Life test:In an ambient temperature of 40°C, 90-95% R. H.,applied a power source of



120 VAC 60 Hz to primary,with secondary full load 300 mA for 8 hours continuously,the unit should meet the requirements of item (1.2.3;1.2.5;1.2.6)

### 1.3 Mechanical Characteristics:

1.3.1 Appearance:Damage, rust, foam not permitted.

### 1.4 Adaptor colour:

1.4.1 Case: BLK

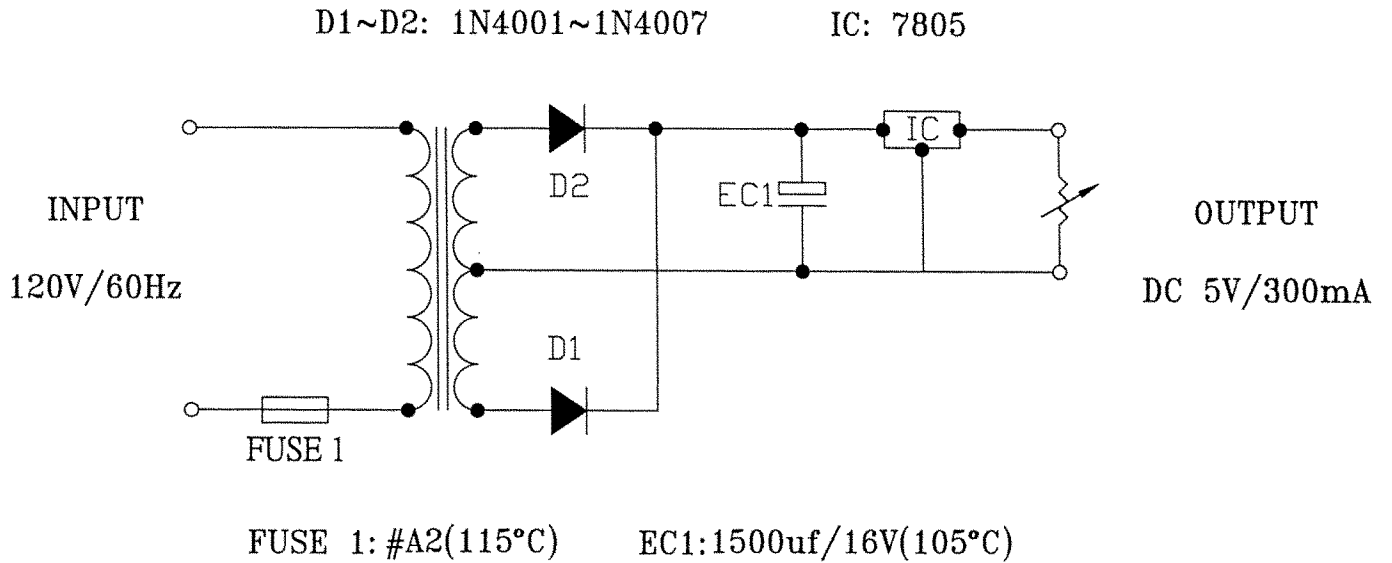
1.4.2 Cord: BLK

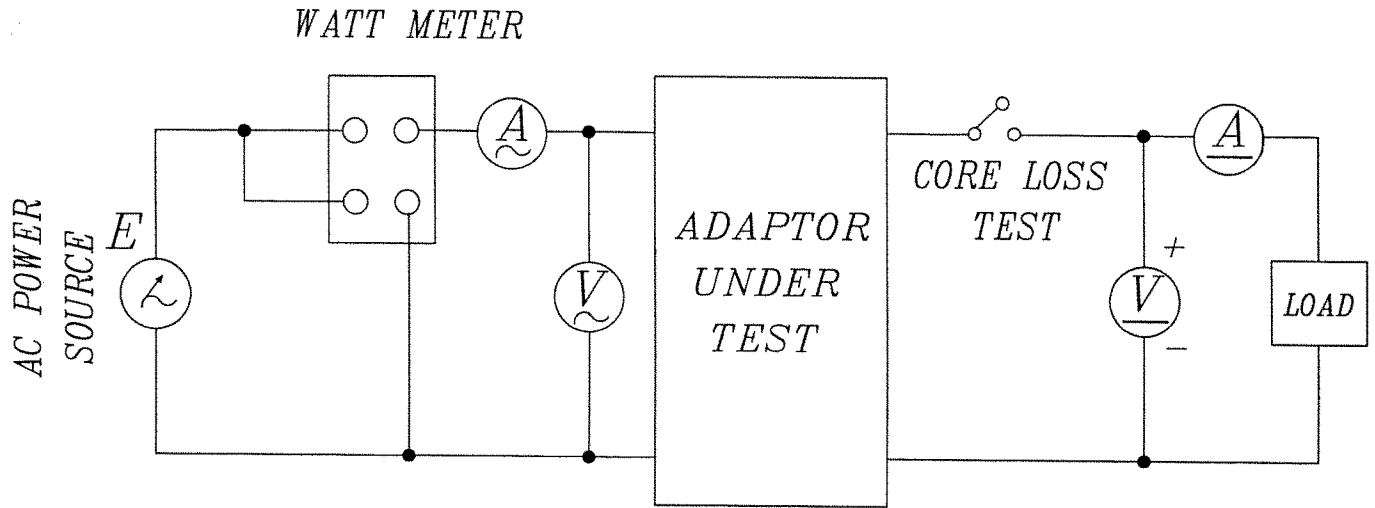
1.4.3 Plug top: BLK (Insulation Chip)

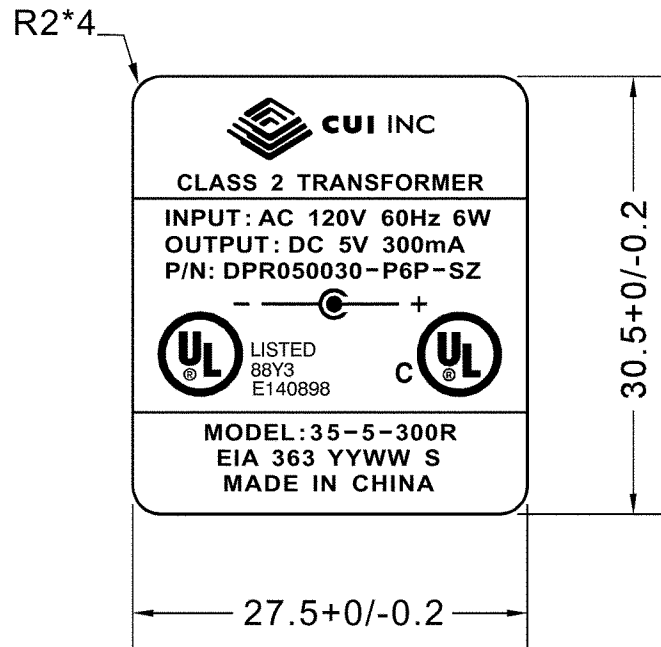


2.Attachment:

- (Att.1) Circuit diagram
- (Att.2) Test circuit
- (Att.3) Label
- (Att.4) Outdrawing
- (Att.5) Package
- (Att.5.1) Package flow chart
- (Att.6) Dc cord drawing
- (Att.7) Assembly drawing
- (Att.8) Material list



*Figure 1*


**Remarks: YYWW S**

YY provides production year  
 WW provides production week  
 S Fu Yong

**Adhesion strength of specification label (Tape peeling test).**  
**Firmly apply pressure sensitive adhesive tape on the middle of**  
**the specification label to the lengthwise direction.**  
**Pull the tape off quickly at a 90° angle to the surface of**  
**the label once.**

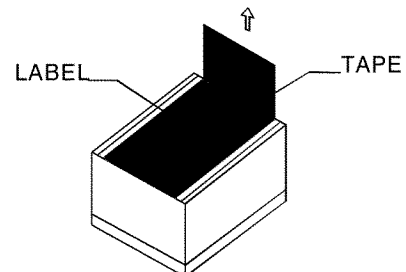
**[Specification] There shall be no blistering or peeling**  
**of the specification label.**

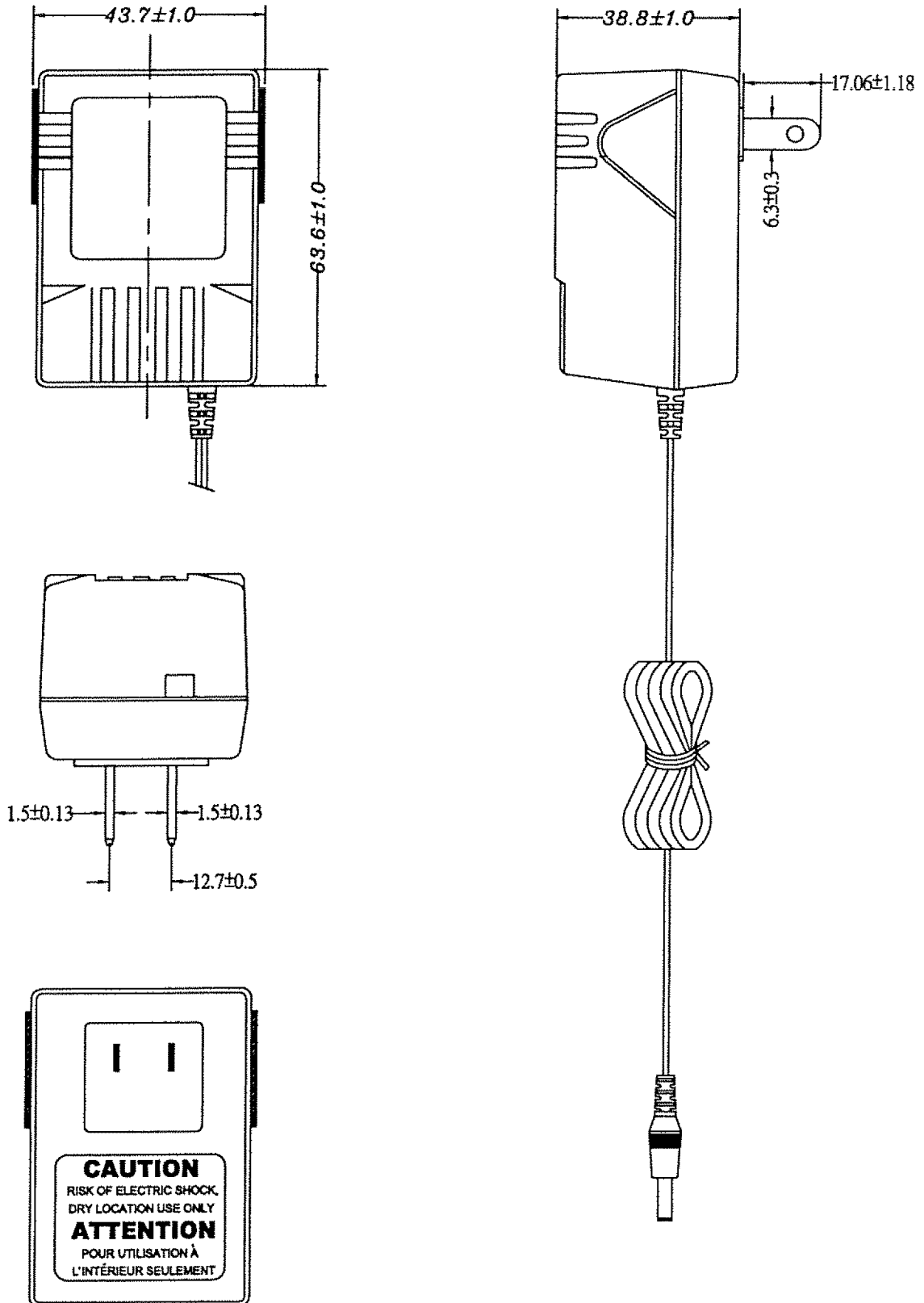
**[Used adhesive tape] 3m #44 tape 18 width.**  
**Thickness:0.2mm**

**Material:** ● 消銀龍

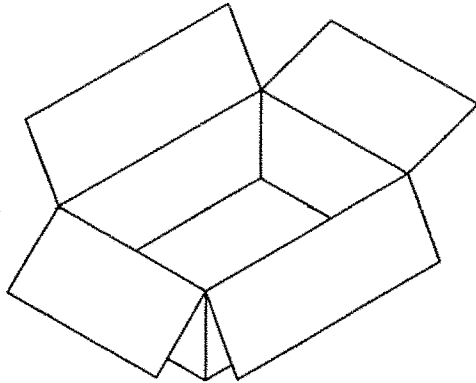
○ ALUMINIUM

- BLACK WORD ON SILVER BASE
- SILVER WORD ON BLACK BASE
- WHITE WORD ON BLACK BASE









OUTSIDE CARTON:A=B(6mm)

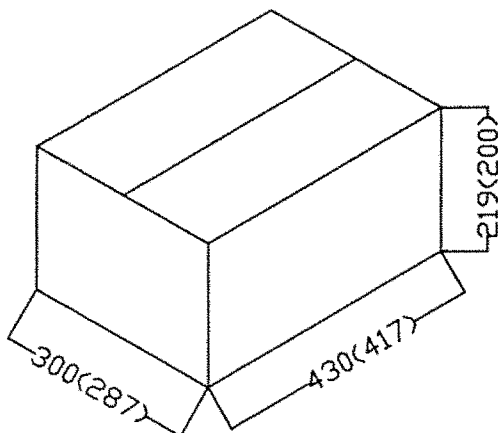
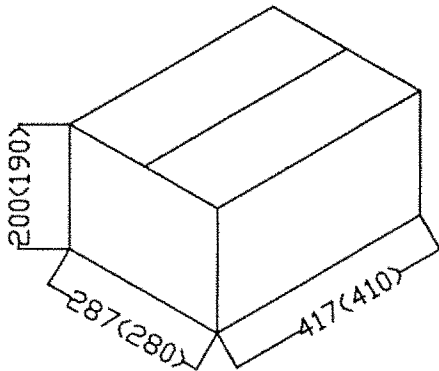
INSIDE CARTON:A-B(3mm)

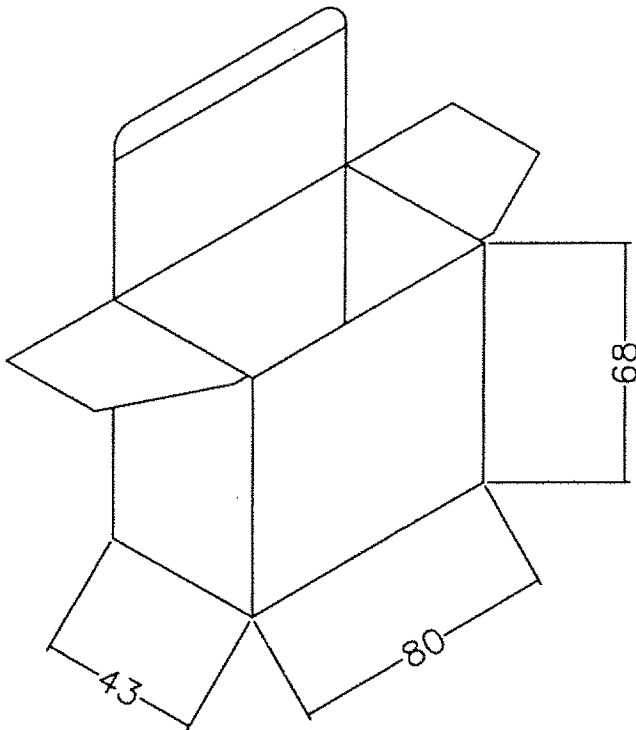
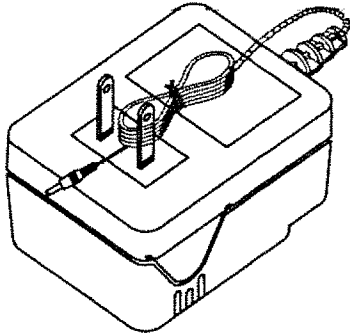
OUTSIDE CARTON MATERIAL:A=B(6mm)

INSIDE CARTON MATERIAL:A-B(3mm)

CARTON SIZE: 430X300X219

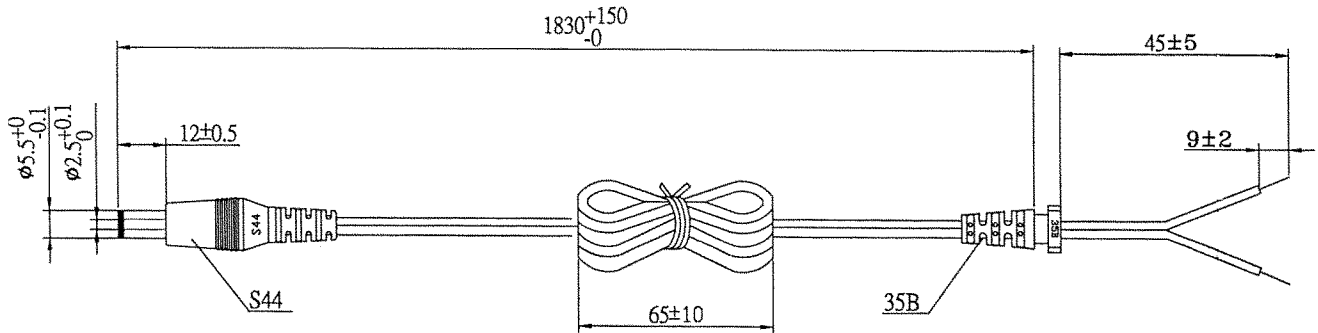
Q'TY: 80pcs(20X4X1)



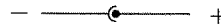


White Box: NO.35

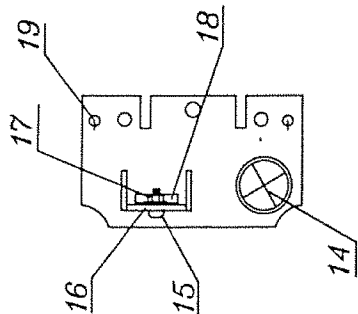
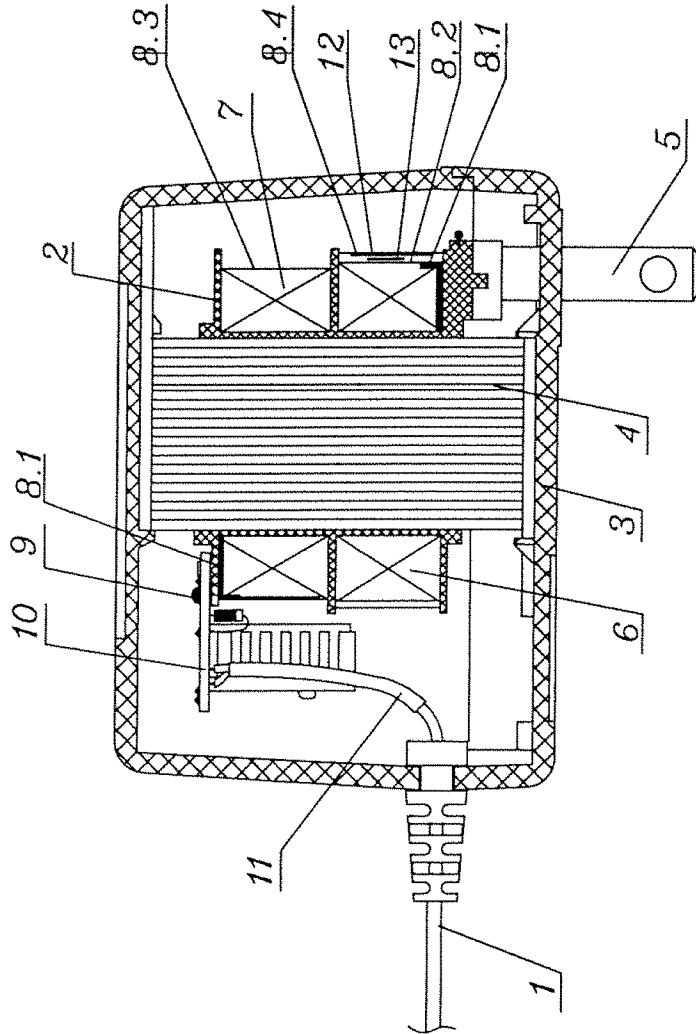




#24AWGX2C  
 OD:  $\phi 1.8 \times 3.6$



SR	70P
PLUG	45P
	a. $\pm 60^\circ$ b. 200g c. 40 d. 1000



ITEM NO.	DESCRIPTION	MATERIAL	UL. FI. AME CLASS	Certificate File No.	TEMP.
1	Output Cord (BLK)	AWG #24x2C 1830mm With 5.5x2.5x12mm			80°C
2	Bobbin	Nylon66 101L	94V-2	E41938	125°C
3	Enclosure (BLK)	1.ABS TYPE 2.Noryl SE100	94V-0 94V-1	E121562(R) E45587(R)	85°C 95°C
4	Lamination	Silicon Steel			
5	Primary Blade	Nickel Placed Brass			
6	PrimaryWire	Polyurethane Enamelled Copper Wire (2UEW)		E154709 E172395	130°C
7	SecondaryWire	Polyurethane Enamelled Copper Wire (2UEW)		E154709 E172395	130°C
8.1	Cross-over	1.3M#44 Tape 0.127mm thickness layer 2.P-2441 0.16mm thickness layer		E17385 E81174 (S)	130°C 130°C
8.2	Insulation Film	0.025mm Thickness Polyester Film Tape 2 Turns P2XXF(b)		E81174(S) E50292(S)	130°C
8.3	Insulation Film	0.025mm Thickness Polyester Film Tape 2 Turns P2XXF(b)		E81174(S) E50292(S)	130°C
8.4	Insulation Film	0.025mm Thickness Polyester Film Tape 2 Turns P2XXF(b)		E81174(S) E50292(S)	130°C
9	Secondary Lead	Terminal			
10	P.C.Board	"W2"Type 1.6mm thickness "T2"Type 1.6mm thickness	94V-0 94V-0	E162665 E154355	130°C 105°C
11	Silicon Tube	3Φ		E153304(S)	200 °C
12	Paperboard	0.25mm thickness paperboard			
13	Thermal Fuse	#A2(115°C)		E140847	115°C
14	Capacitor	1500uf/16V			105°C
15	Screw	3Φx8mm			
16	Heat Sink	GA-259			
17	Nut	3Φ			
18	IC	7805			
19	Diode	1N4001~1N4007			