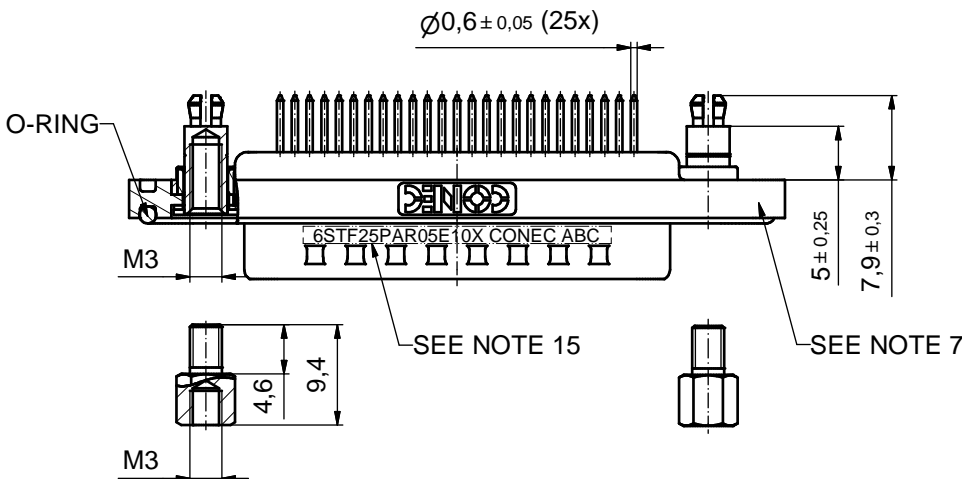
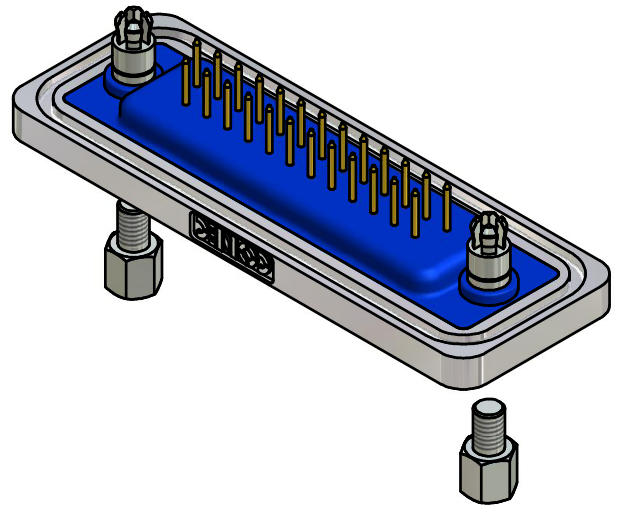
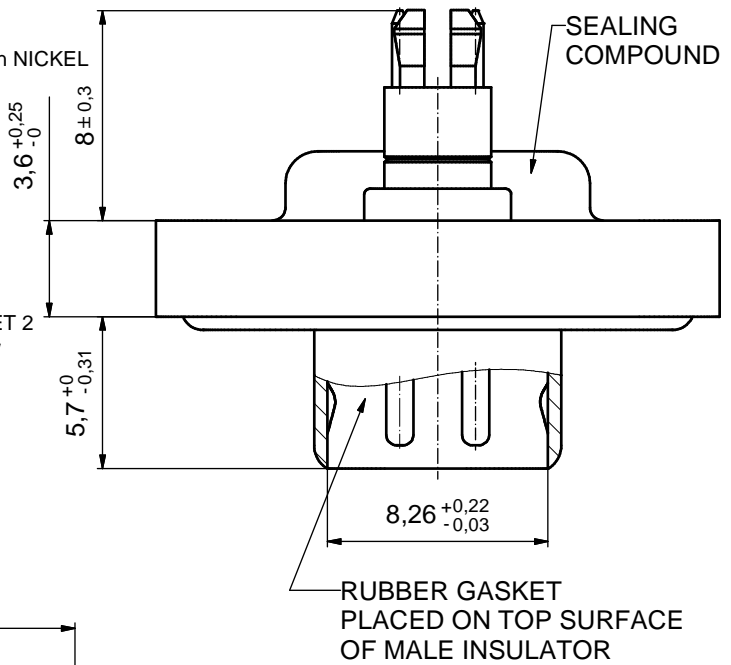
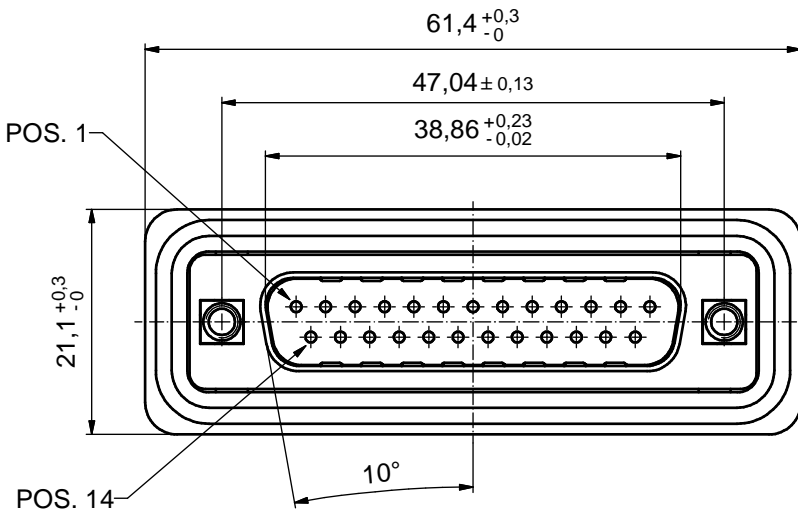


NOTES:

1. FOR WAVESOLDERING (SOLDER BATH TEMPERATURE 240°C FOR 5 SEC. AND SOLDER PREHEAT 100°C FOR 30 SEC.)
2. METALSHHELLS: COPPER ALLOY; min. 315µin TIN over 40-80µin NICKEL
3. INSULATORS: HIGH TEMPERATURE PLASTIC UL 94 V-0, BLACK
4. CONTACTS: COPPER ALLOY
PLATING: 8µin HARD GOLD over min. 50µin NICKEL
5. THREADED SPACER CLIPS: COPPER ALLOY; min. 200µin TIN over 80µin NICKEL
PCB-HOLE: $\varnothing 3,1 \pm 0,1$; PCB THICKNESS 1,6mm
6. COLLARS: COPPER ALLOY; min. 200µin TIN over 80µin NICKEL
7. FRAME: ZINC DIE CAST; NICKEL PLATED
8. O-RING: SILICON; BLUE
9. RUBBER GASKET: TPE; BLACK
10. HEXLOCKING SCREWS: STAINLESS STEEL
11. CAPACITANCE: 1300pF \pm 20%
12. DIELECTRIC WITHSTANDING VOLTAGE: 424 VDC
13. P.C.B. HOLE DRILLINGS + RECOMMENDED PANEL CUT-OUT ON SHEET 2
14. RECOMMENDED TORQUE FOR MOUNTING SCREW 35Ncm (3.1 in.LB) / max.40Ncm (3.5 in.LB)
15. CONNECTOR IS PART MARKED: 6STF25PAR05E10X CONEC ABC

(5 : 1)

AT ALL TIMES WATER RESISTANT CONNECTORS NOT IN USE SHOULD BE COVERED WITH A CONEC WATER RESISTANT CAP OR WATER TIGHT HOOD.



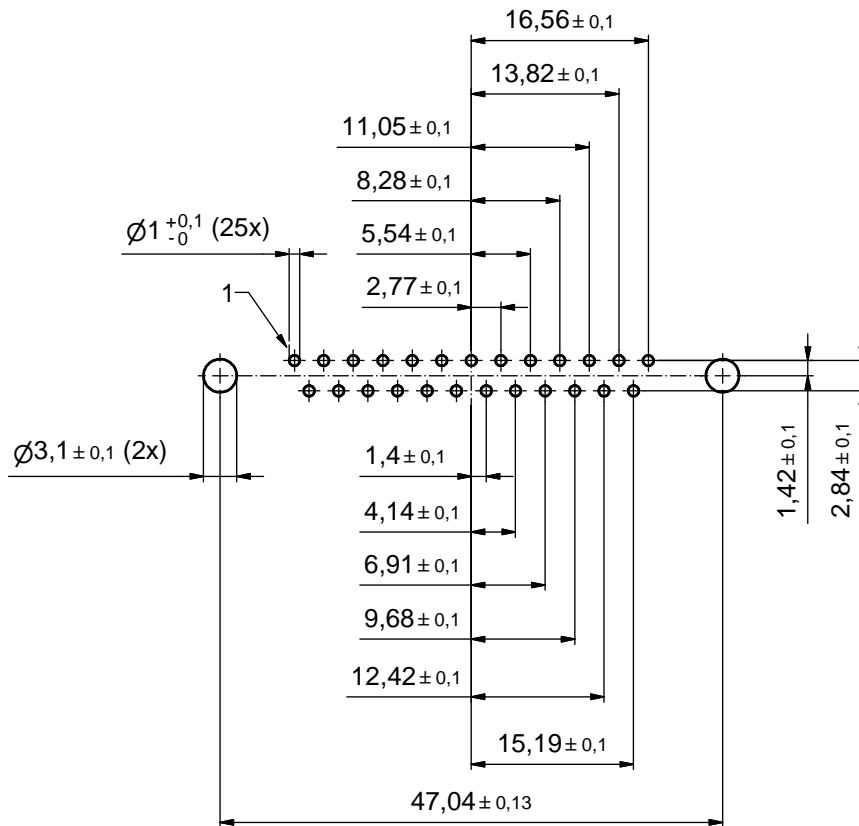
Directive 2002/95/EC
"RoHS"
Compliant

APPROVAL # FREIGABE # DEBLOCAGE # AUTORIZACION # APPROVAL	
CUSTOMER APPROVAL DATE:	
NAME:	TITLE:
COMPANY NAME:	
APPROVAL # FREIGABE # DEBLOCAGE # AUTORIZACION # APPROVAL	

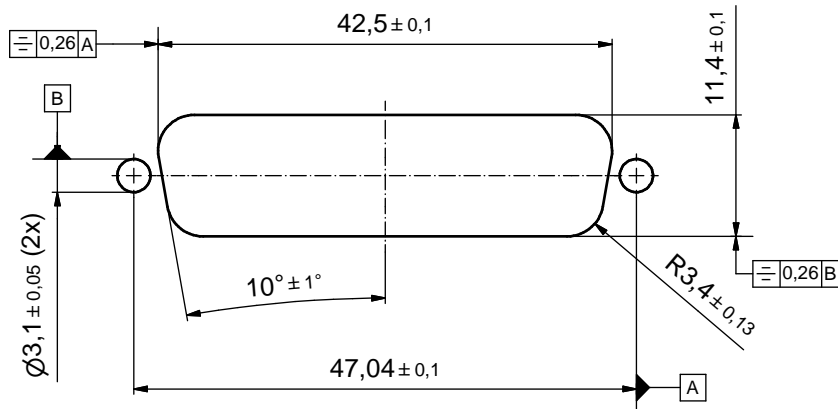
THIS DRAWING MAY NOT BE COPIED OR REPRODUCED IN ANY WAY, AND MAY NOT BE PASSED ON TO A THIRD PARTY WITHOUT WRITTEN PERMISSION. OWNERSHIP AND COPYRIGHT OF CONEC GmbH			
DO NOT ALTER CAD DRAWING BY HAND			
a	Origin	date	name
rev.	description	date	name

tolerance		dim. in mm
date	name	
drawn	08.04.10	Petker
appd.	08.04.10	Fischer
norm		
d-old		
CONEC		

scale: 2:1 (5:1)	
material: SEE NOTES	
title: D-SUB FILTER MALE 25pos. SOLDER PIN STRAIGHT with threaded spacer clip and hexlocking screw	
dwg no: Inventor 10	DIN-A3
15K1A618	
part no: 6STF25PAR05E10X	
sh: 1	



P.C.B. HOLE DRILLINGS
(P.C.B. TOP SIDE)



RECOMMENDED PANEL CUT-OUT

APPROVAL # FREIGABE # DEBLOCAGE # AUTORIZACION # APPROVAL	
CUSTOMER APPROVAL DATE:	
NAME:	TITLE:
COMPANY NAME:	
APPROVAL # FREIGABE # DEBLOCAGE # AUTORIZACION # APPROVAL	

THIS DRAWING MAY NOT BE COPIED OR REPRODUCED IN ANY WAY, AND MAY NOT BE PASSED ON TO A THIRD PARTY WITHOUT WRITTEN PERMISSION. OWNERSHIP AND COPYRIGHT OF CONEC GmbH				tolerance		dim. in mm
				date	name	
drawn	08.04.10	Petker	DO NOT ALTER CAD DRAWING BY HAND			
appd.	08.04.10	Fischer				
norm						
d-old						
a	Origin					
rev.	description	date				

scale:	2:1	
material:	SEE SHEET 1	
title:	P.C.B. HOLE DRILLINGS PANEL CUT-OUT D-SUB MALE 25pos. SOLDER PIN STRAIGHT	
dwg no:	Inventor 10	DIN-A3
	15K1A618	sh: 2
part no:	SEE SHEET 1	