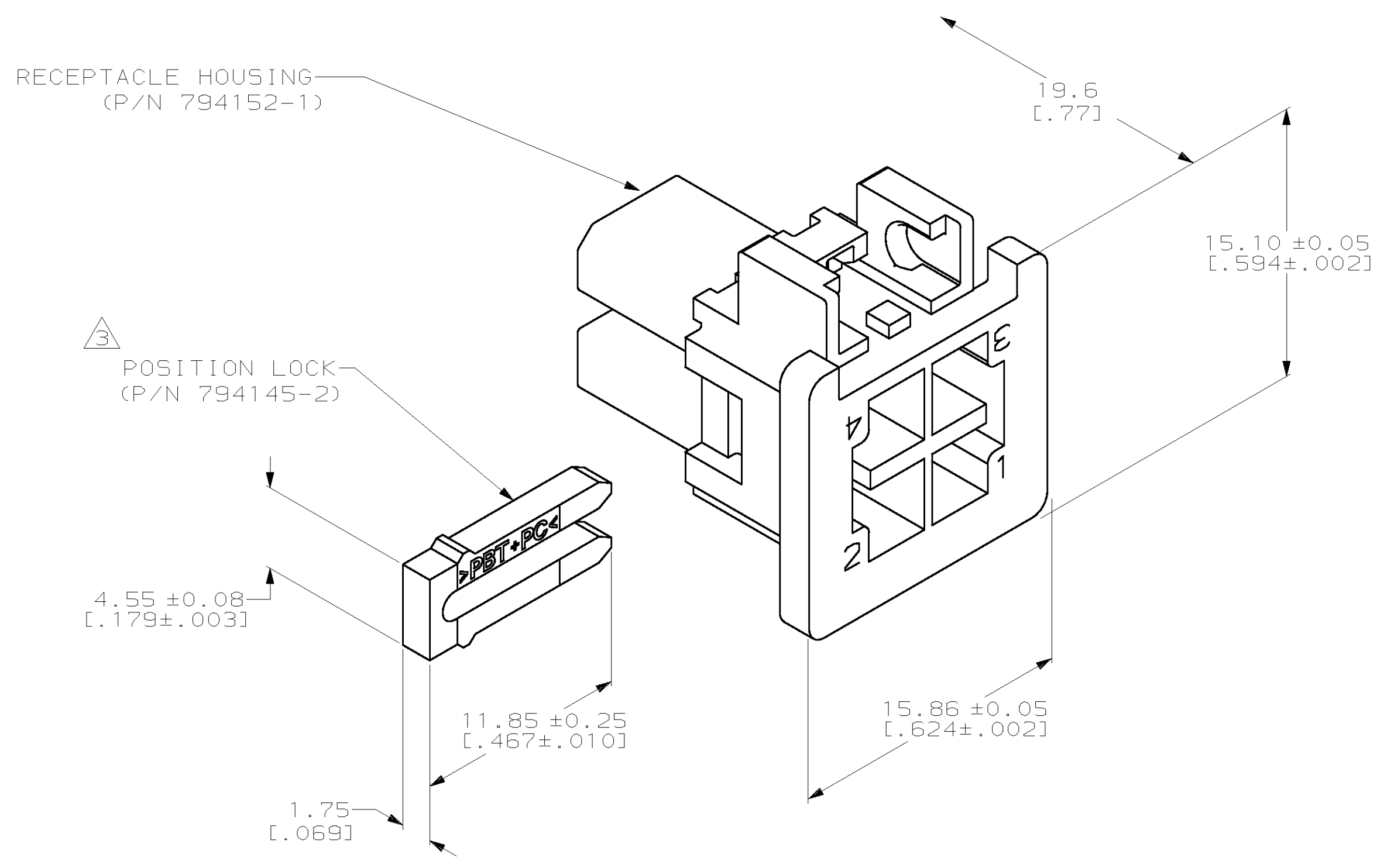


LOC	QTY	REV	PER	EC	DESCRIPTION	DATE	OWN	APVD
CM	53		D		REV PER EC OL30-0233-97	12-9-97	JH	RS

- BULK KITS CONSIST OF BAGS WHICH CONTAIN EQUAL QUANTITIES OF RECEPTACLE HOUSINGS AND POSITION LOCKS.
- RECEPTACLE HOUSINGS AND POSITION LOCKS MAY BE ORDERED SEPARATELY.
 RECEPTACLE HOUSING P/N: 794152-1
 POSITION LOCK P/N: 794145-2
- TERMINAL MUST BE INSERTED INTO RECEPTACLE HOUSING SO THAT THE TOP OF THE WIRE AND INSULATION CRIMPS FACE THE INTERIOR OF THE HOUSING. INSTALL POSITION LOCK AFTER FULLY SEATING ALL TERMINATED AMP-DUAC™ SOCKET CONTACTS AND KEYING RECEPTACLES. POSITION LOCK MAY BE INSTALLED IN EITHER SIDE OF THE RECEPTACLE HOUSING.
- DIMENSIONS IN BRACKETS ARE IN INCHES.



794318-1
PART NUMBER

METRIC

THIS DRAWING IS A CONTROLLED DOCUMENT.		OWN: R. VESTAL 9-09-97	AMP AMP Incorporated Harrisburg, PA 17105-3608
DIMENSIONS: mm		CHK: R. SWING 9-09-97	
TOLERANCES UNLESS OTHERWISE SPECIFIED:		APVD: C. CASH 9-09-97	KIT, BULK, RECEPTACLE HOUSING AND POSITION LOCK, 4 CIRCUIT, AMP-DUAC/PL™ POWER CONNECTOR
1. PLC ±.02(.013)		NAME: 108-1646	
2. PLC ±0.13(.005)		PRODUCT SPEC: 114-6067	SIZE: A1
3. PLC ±.		APPLICATION SPEC: 114-6067	SCALE CODE: C-794318
4. PLC ±.		HEIGHT: -	RESTRICTED TO: -
MATERIAL: PBT, UL 94V-0, NATURAL		FINISH: -	CUSTOMER DRAWING
SCALE: 4:1		SHEET: 1 OF 1	REV: D