

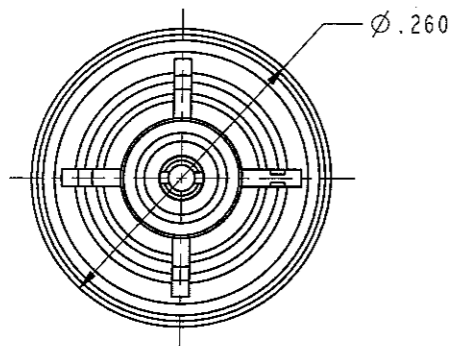
NOTES:

- MATERIAL AND FINISH:
 BODY: ZINC DIE-CAST, NICKEL PLATED
 OUTER CONTACT: BRASS, NICKEL PLATED
 CONTACT: BERYLLIUM COPPER, GOLD PLATED
 INSULATOR: PTFE
 FERRULE: ANNEALED COPPER, NICKEL PLATED
- CRIMP USING CRIMP TOOL 227-944, CRIMP DIE 227-1221-37
 CAVITY "B" (.151 HEX).
 OPTIONAL: IF CONTACT IS TO BE CRIMPED USE TOOL 227-1454,
 POSITIONER 227-1475 SETTING 5.
- DO NOT SCALE THIS DRAWING.

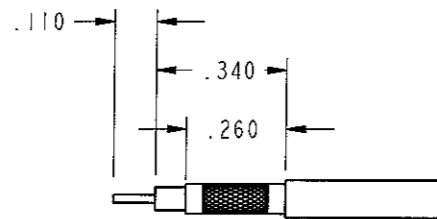
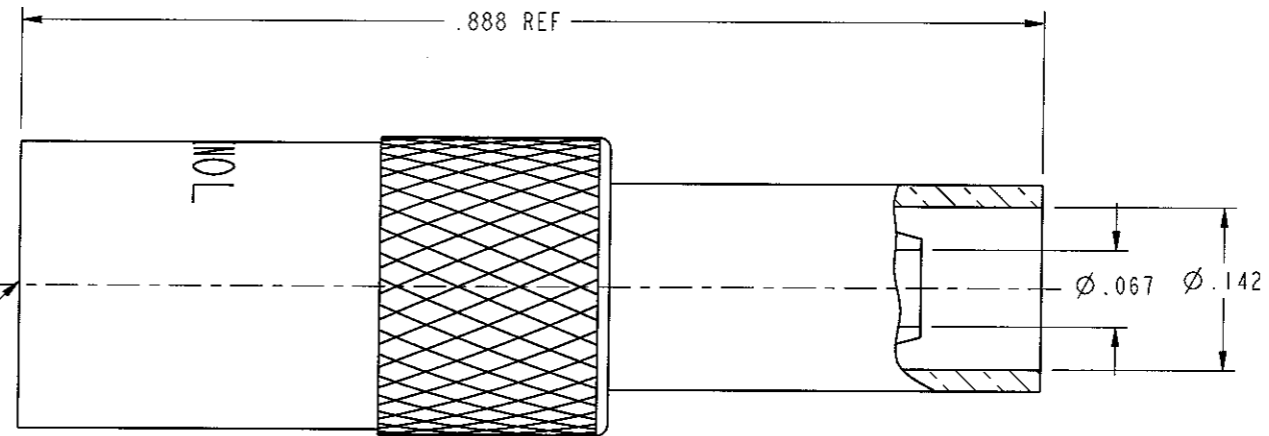
903-579P-51S1

REVISIONS

DRAWING NO.	REV	DESCRIPTION	DATE	ECO	APPR
THIRD ANGLE PROJ.	A	OFFICIAL ENG. RELEASE TO MFG.	5/4/99	42915	PB/TA
	B	ADD CRIMP CONTACT TOOLS TO NOTE 2	11/4/99	43172	PB/TA



INTERFACE PER
 MIL-STD-348
 SMB SERIES
 FIGURE 311-2



CABLE STRIPPING DIMENSIONS

CUSTOMER OUTLINE DRAWING
FOR REFERENCE ONLY

UNLESS OTHERWISE SPECIFIED, DIMENSIONS ARE IN INCHES AND TOLERANCES ARE:
 2 PLACE DECIMAL 3 PLACE DECIMAL ANGLES
 ±.015 (0,381 mm) ±.005 (0,127 mm) ± 1°

NOTICE - These drawings, specifications, or other data (1) are, and remain the property of Amphenol Corp. (2) must be returned upon request; and (3) are confidential and not to be disclosed to any person other than those to whom they are given by Amphenol Corp. The furnishing of these drawings, specifications, or other data by Amphenol Corp., or to any other person to anyone for any purpose is not to be regarded by implication or otherwise in any manner licensing, granting rights or permitting such holder or any other person to manufacture, use or sell any product, process or design, patented or otherwise, that may in any way be related to or disclosed by said drawings, specifications, or other data.

MATERIAL

REFERENCE
 EAR 102-967201 0
 GEN # ASSYF6-SMB

DRAWN
 P. BRENZEL

ENGINEER
 P. BRENZEL

APPROVED
 T. AUBIN

CAD FILE
 I:\SMB\903-579P-51S1

DATE
 22-Mar-99

DATE
 22-Mar-99

DATE
 5/4/99

TITLE

SMB PLUG FOR
 DOUBLE BRAID
 RG-316/U CABLE

Amphenol

Amphenol Corporation
 Communication and Network
 Products Division
 Danbury, CT U.S.A. 06810

SCALE: 6.0:1 SHEET 1 OF 1

CODE ID
 74868

DWG SIZE
 B

DRAWING NO.
 903-579P-51S1

REV
 B