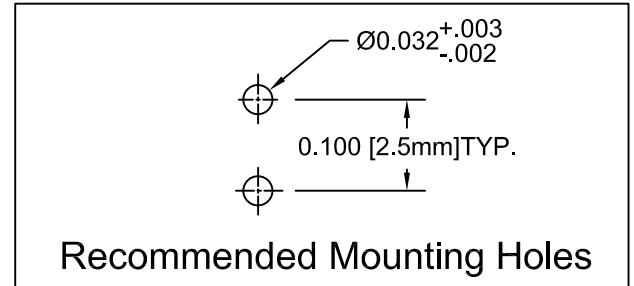
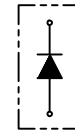
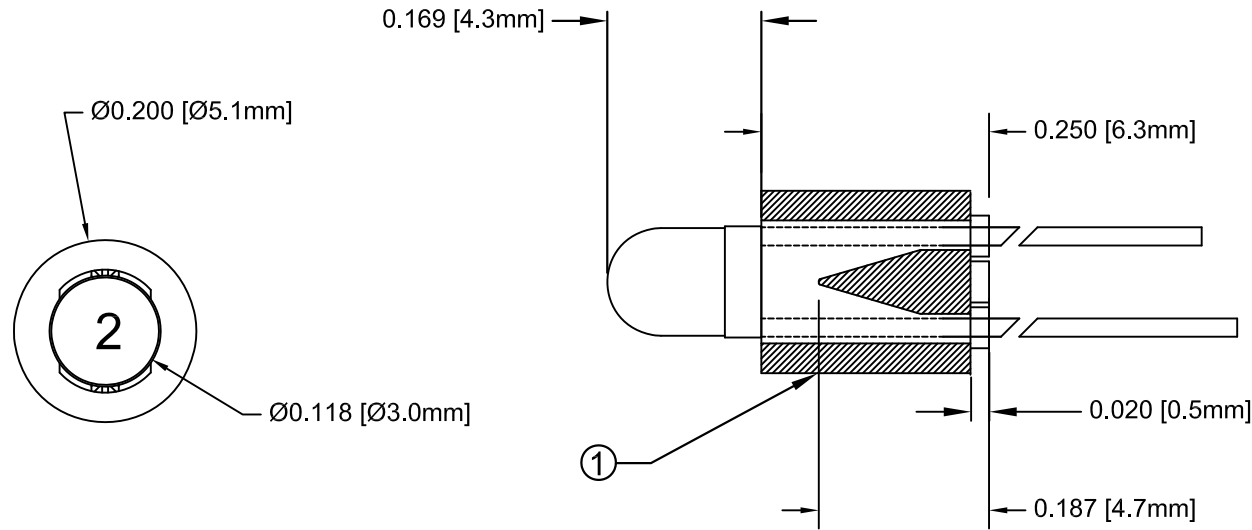


| ITEM | Q'TY | PART NUMBER | PART DESCRIPTION                    |
|------|------|-------------|-------------------------------------|
| 1    | 1    | LTM-250     | Molded, Self-Retaining LED Mount    |
| 2    | 1    | 3HTL-S      | T-1 (3mm) N-Flange LED, Low Current |

| REV. | DESCRIPTION                       | DATE     | APPROVED |
|------|-----------------------------------|----------|----------|
| A    | Engineering Release.              | 08/23/05 | M. C.    |
| B    | Updated LED Dimensions.           | 11/10/06 | M. C.    |
| C    | Added -S to 3HTL in BOM and Table | 12/19/12 | T. Y.    |
|      |                                   |          |          |



| LED Part No. | Chip      |                                   |               | Lens Appearance | Absolute Maximum Ratings |         |         |              | Electro-Optical Data @ 2mA |      |          | Viewing Angle (Deg) |
|--------------|-----------|-----------------------------------|---------------|-----------------|--------------------------|---------|---------|--------------|----------------------------|------|----------|---------------------|
|              | Material  | Peak Wave Length $\lambda_p$ (nm) | Emitted Color |                 | $\Delta\lambda$ (nm)     | Pd (mW) | If (mA) | Peak If (mA) | Vf (V)                     |      | Iv (mcd) |                     |
|              |           |                                   |               |                 |                          |         |         |              | Typ.                       | Max. | Typ.     |                     |
| 3HTL-S       | GaAsP/GaP | 635                               | HE RED        | TINTED          | 45                       | 10      | 5       | -            | 1.8                        | 2.2  | 6.5      | 30                  |

## ABSOLUTE MAXIMUM RATINGS (Ta = 25°C)

REVERSE VOLTAGE \_\_\_\_\_ 5V  
 REVERSE CURRENT ( VR=5V) \_\_\_\_\_ 100 $\mu$ A  
 OPERATING TEMPERATURE RANGE \_\_\_\_\_ -25°C ~ 85°C  
 STORAGE TEMPERATURE \_\_\_\_\_ -30°C ~ 100°C  
 LEAD SOLDERING TEMPERATURE (1/16" FROM BODY) \_\_\_\_\_ 260°C for 5 Seconds

|  |                          |   |                       |
|--|--------------------------|---|-----------------------|
| STANDARD TOLERANCE<br>( UNLESS OTHERWISE SPECIFIED ) |                          | <br><b>BIVAR</b> <sup>®</sup><br>4 THOMAS, IRVINE, CA. 92618<br>TEL: (949) 951-8808 FAX: (949) 951-3974 |                       |
| DECIMALS   | ANGULAR                  |   |                       |
| .X $\pm$ .1  | X° $\pm$ 1°              |   |                       |
| .XX $\pm$ .02  |                          | <br><b>TITLE:</b><br>Molded Self-Retaining LED Mount Assy   |                       |
| .XXX $\pm$ .010                                      |                          |   |                       |
| DESIGNED:<br><b>Sonny Dam</b>                        | DATE:<br><b>08/23/05</b> | <b>PART NO:</b><br>LTM2503HTL   | REVISION:<br><b>C</b> |
| CHECKED:<br><b>T. Yin</b>                            | DATE:<br><b>08/23/05</b> | <b>CAGE CODE :</b> 32559  | <b>SHEET # 1 OF 1</b> |
| CAD GENERATED DOCUMENT, DO NOT MEASURE DRAWING.      |                          |   |                       |