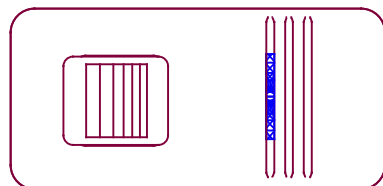


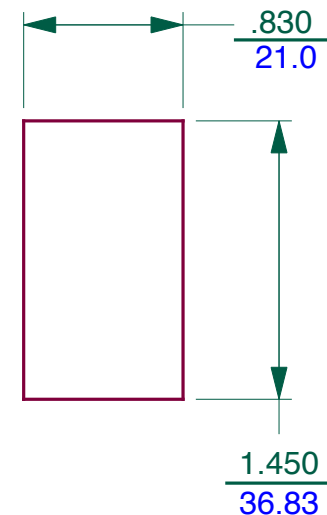
DO NOT SCALE DRAWING WORK TO FIGURE



LOCK MOTION

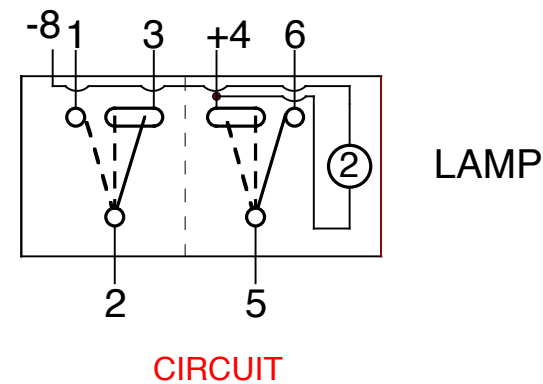
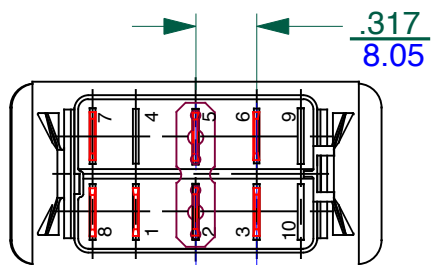
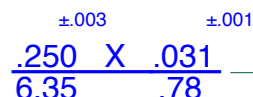
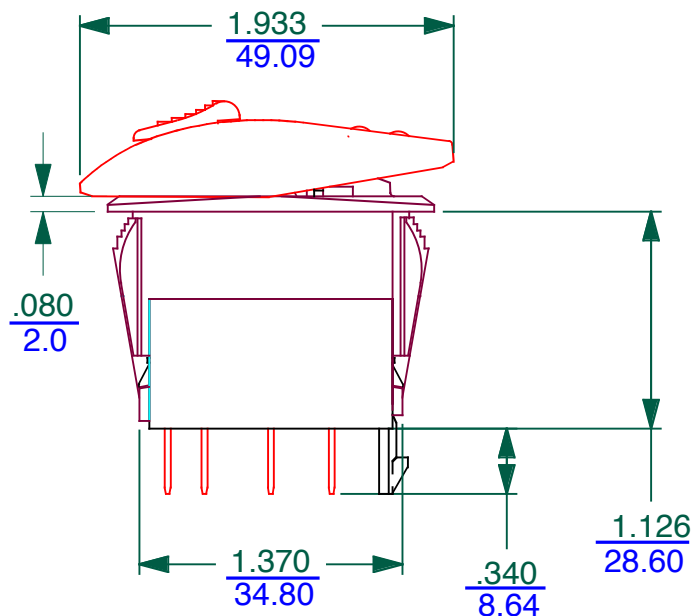
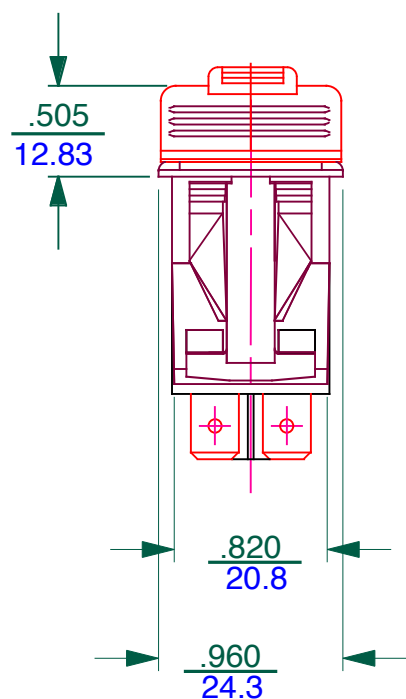
POS 1 POS 2 POS 3

DWG NO. VX1KXWXX-C8100-000-XBLU1
REV.



MOUNTING HOLE

PANEL THICKNESS (SNAP - IN BRACKET)
.030 MIN ---- .187 MAX
.76 4.75



LET	REVISIONS	DATE

RATING
0.4 VA MAX. @ 28V MAX
(RESISTIVE)

SWITCH FUNCTION

POS 1	POS 2	POS 3
ON	ON	(ON)
2 TO 3 5 TO 6	2 TO 3 5 TO 4	2 TO 1 5 TO 4

- NOTES:**
- BRACKET IS BLACK NYLON
 - ROCKER IS BLACK NYLON WITH WHITE POLYCARBONATE LENS
 - LOCK COLOR IS BLACK
 - 12V BLUE LED T4+ TO T8-
 - SPECIAL BRACKET DESIGNED TO PREVENT ACTUATION FROM POS 2 TO POS 1 ONLY YOU MUST ACTUATE THE LOCK AND PRESS DOWN ROCKER TO ACTUATE THE SWITCH FROM POS 2 TO POS 1 THE LOCK DOES NOT HAVE TO BE USED TO ACTUATE THE SWITCH FROM POS 2 TO POS 3

DIMENSIONS SUBJECT TO CHANGE WITHOUT NOTICE		FINISH		CARLINGSWITCH, INC. PLAINVILLE, CT		
PROPRIETARY NOTE: NOTICE TO ALL PERSONS RECEIVING THIS DRAWING. THIS DOCUMENT IS THE PROPERTY OF CARLINGSWITCH, INC. AND IS NOT TO BE DISCLOSED, REPRODUCED IN WHOLE OR IN PART OR USED FOR MANUFACTURING PURPOSES BY ANYONE WITHOUT THE CONSENT OF CARLINGSWITCH, INC.	UNSPECIFIED TOLERANCES X.XXX ±.015		TOOL NO.	REV	TITLE "V" SERIES SWITCH	
	PROJECTIONS 		DR BY KRAMARZ	DATE 8-8-12		
	DIMENSIONS IN [mm]		CHK BY	DATE	SIZE B	DWG NO. VX1KXWXX-C8100-000-XBLU1
			APPD BY	DATE	USED ON	SCALE: FULL SHT 1 OF 1