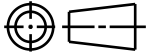
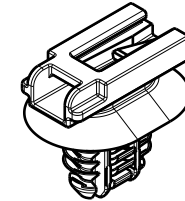
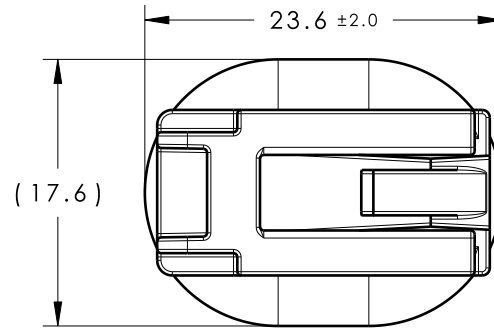


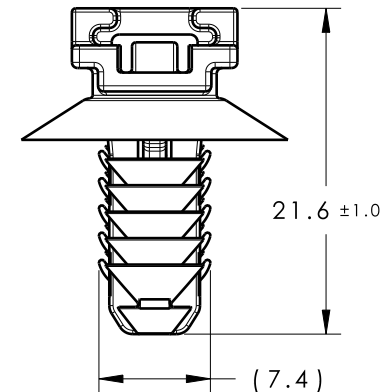
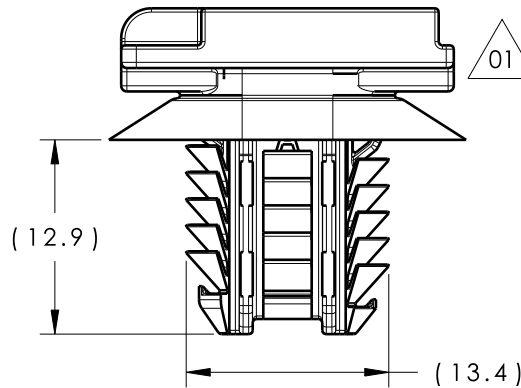
CATIA V5



Revision Level		Revision Record	Changed	Date	Approved	Date
Drawing	Part					
02	A	SEE ECN# 012472	CJR	10/09/13	SA	10/09/13



ISOMETRIC VIEW
SCALE 1:1



REFERENCE:

PERFORMANCE REQUIREMENTS AT DRY AS MOLDED:

1. FIR TREE PUSH IN FORCE: 45 NEWTONS (10 LBS) MAX IN EACH APPLICABLE OVAL HOLE SIZE AND A PLATE THICKNESS OF 1.8mm.
2. FIR TREE PULL OUT FORCE: 110 NEWTONS (25 LBS) MIN IN EACH APPLICABLE OVAL HOLE SIZE AND A PLATE THICKNESS OF 1.8mm.
3. SHEET METAL THICKNESS RANGE: 0.60mm - 6.75mm
4. APPLICABLE OVAL HOLE SIZES:
 - A. 6.2 X 12.2mm
 - B. 6.5 X 12.5mm
 - C. 6.5 X 13.0mm
 - D. 7.0 X 12.0mm

Material PA66HIRHS BLACK	Units	millimeters	The copyright of this drawing is reserved by HellermannTyton. It is issued on condition that it is not reproduced, copied or disclosed to a third party, either wholly or in part, without the consent of HellermannTyton.	Drawn	SJA	1/22/13	Article/Type-No CCOVAL4	Scale	2:1	
	Tolerance defined on each dimension	Approved		KVH	1/23/13	Title CONNECTOR CLIP WITH 4X OVAL HOLE FIR TREE		Project Number	12-0654	
		<p>North America Email: corp@htamericas.com Web: www.hellermann.tyton.com</p>			Drawing-No		PRODUCTION : Phase	Format	AH	
					12-0654-001-CSU			Sheet	1/1	