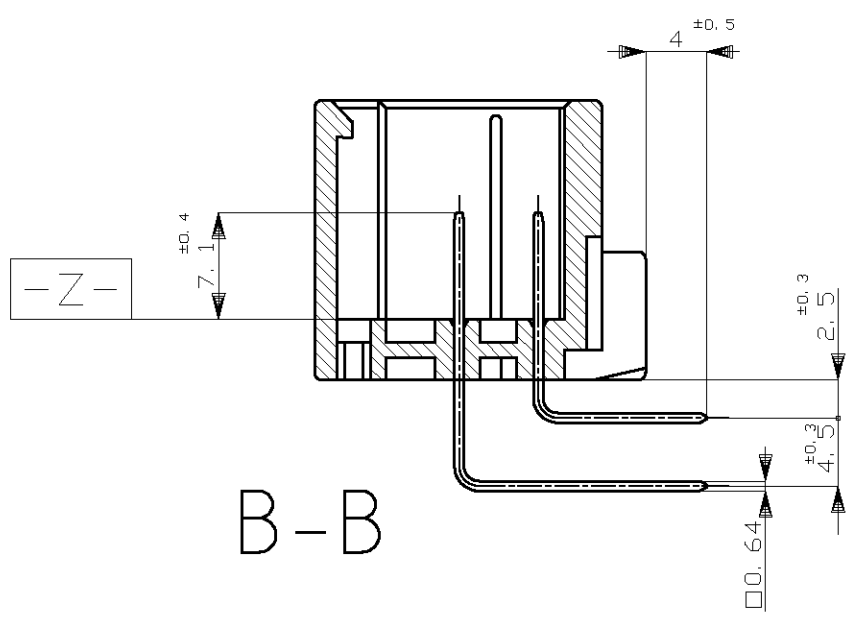
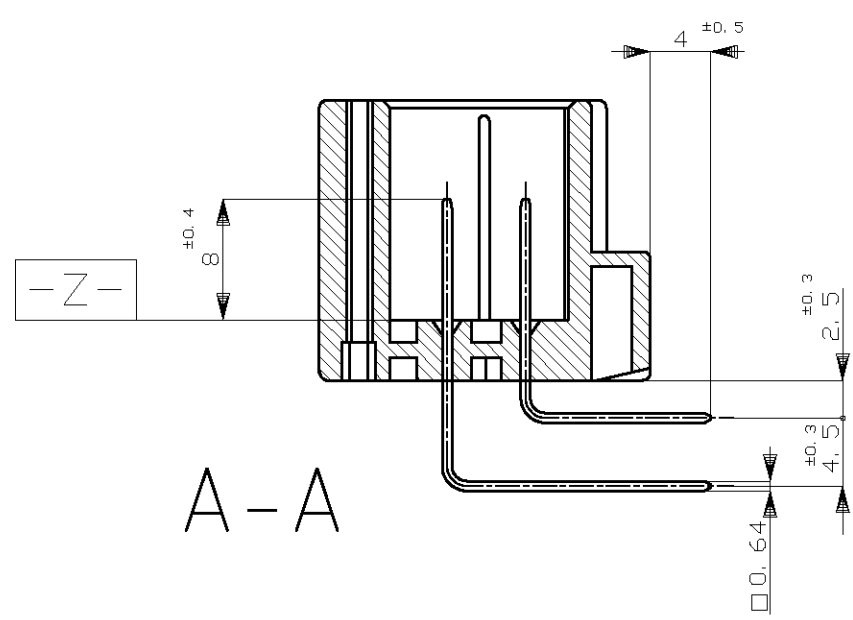
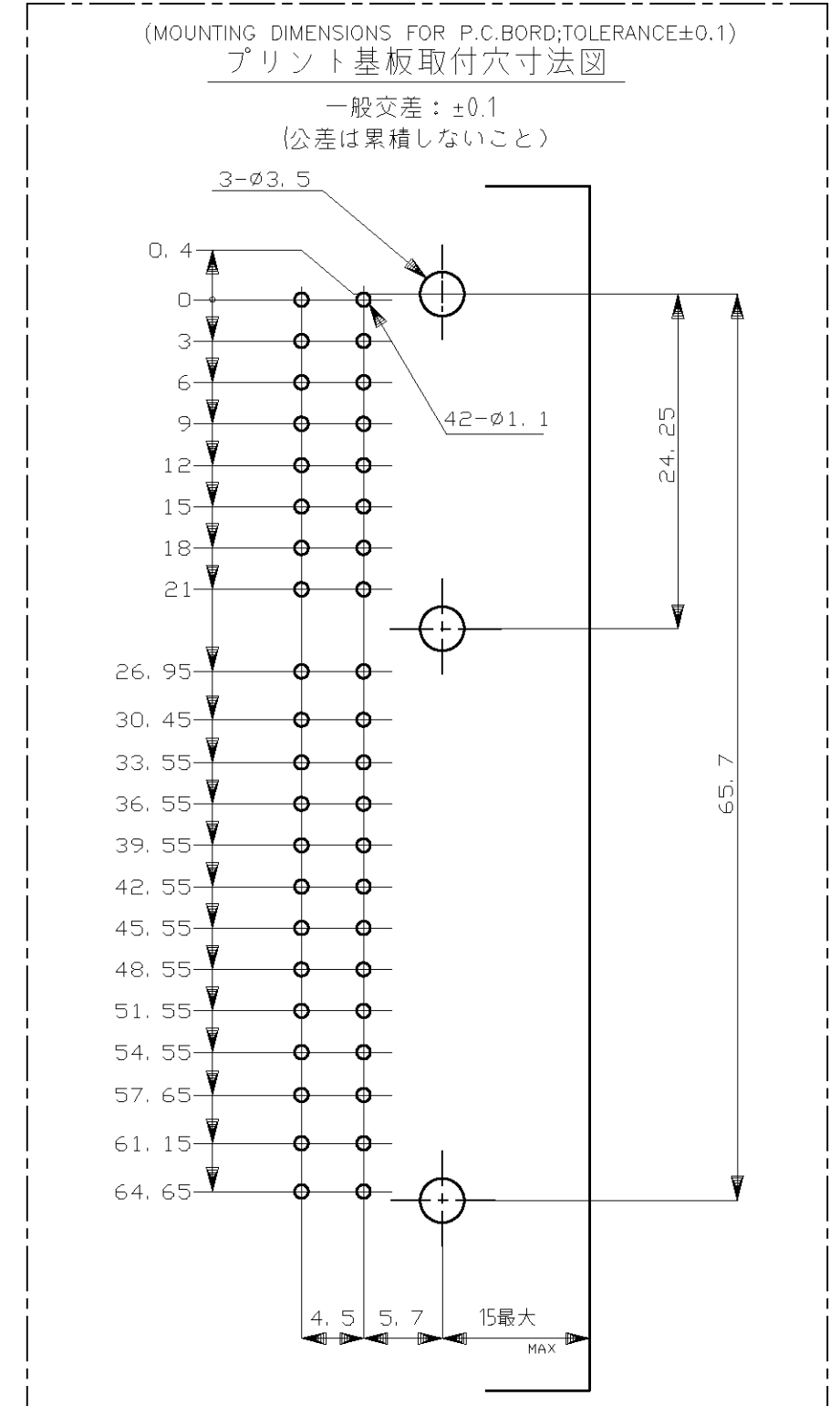
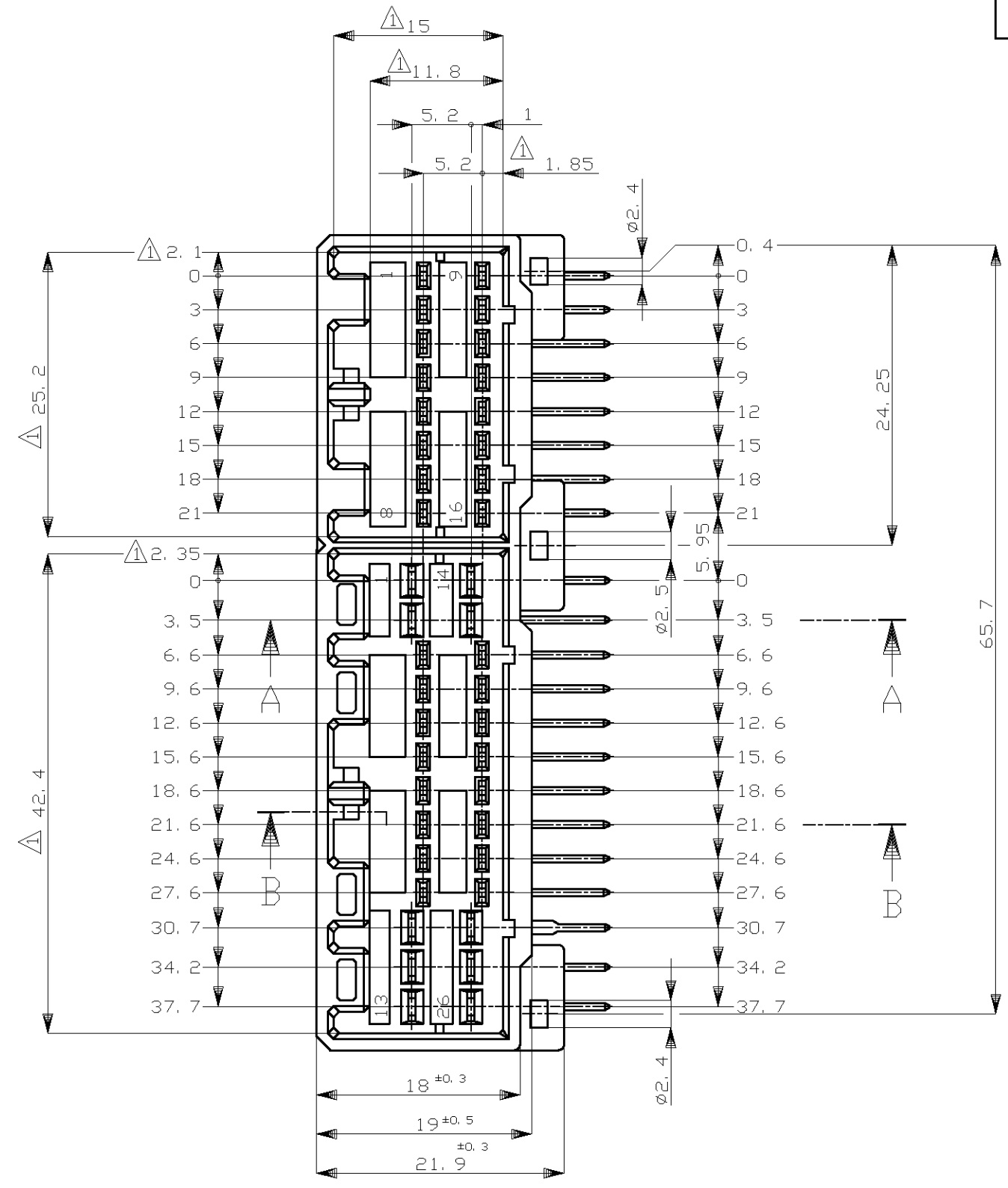
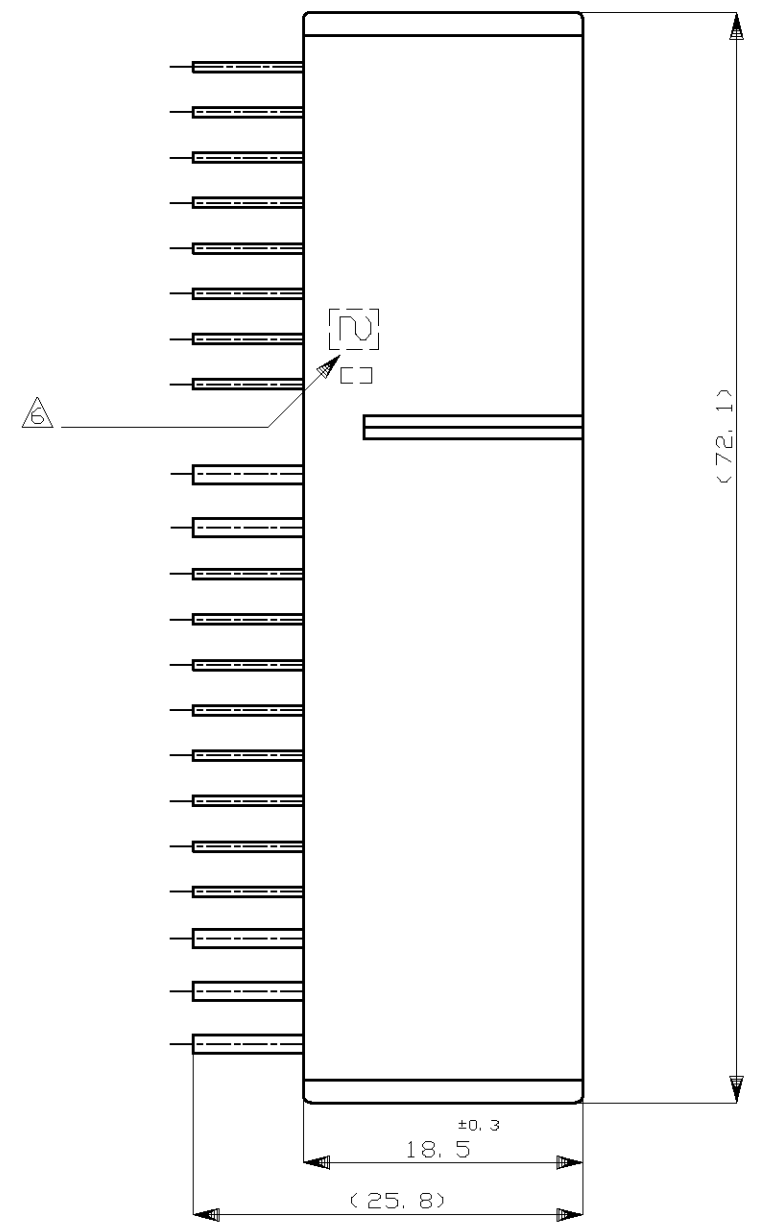
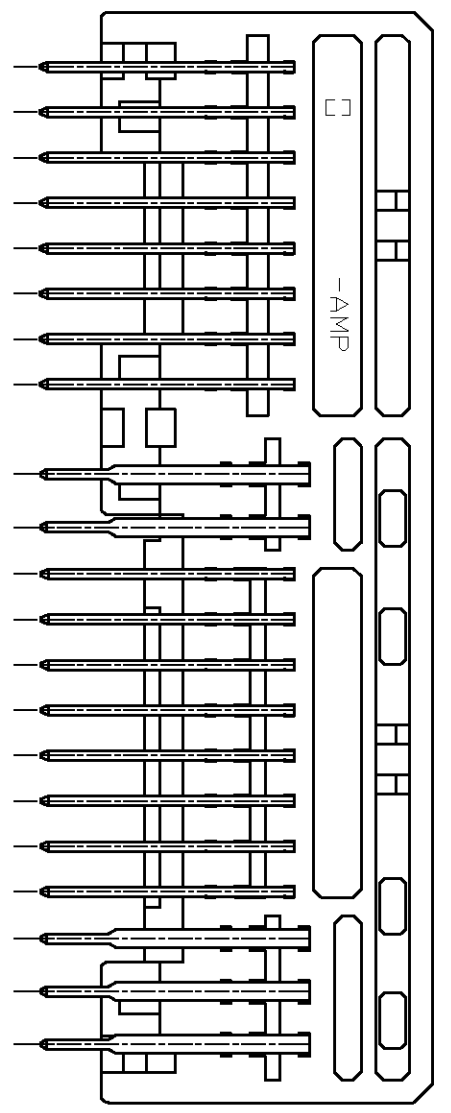
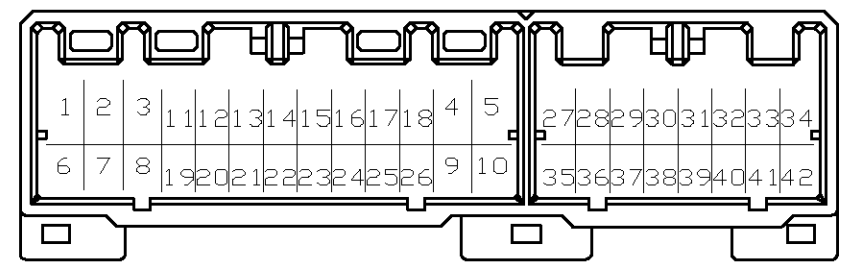


THIS DRAWING IS UNPUBLISHED. RELEASED FOR PUBLICATION
 © COPYRIGHT - By Tyco Electronics Japan G.K. ALL RIGHTS RESERVED.

LOC	DIST	REVISIONS					
J	-	P	LTR	DESCRIPTION	DATE	DWN	APVD
		F3	REVISED	変更	11JUL11	TS	KB
				ECR-11-010934			



- △ -Z- 面から2mmの範囲で測定
- 2. 嵌合相手ハウジング型: 175567, 176243, 917994, 917983
- 3. 推奨取付ねじ: JIS B1115, B1122 タッピングねじ、なべ2種、呼び径3、長さ6mm以下 (取付けトルク: 0.4N-m以下)
- 4. 適用製品規格番号: 108-5280, 108-5342
- △ 回路番号: パワー回路 ①~⑩
シグナル回路 ⑪~④②
- △ 適用製品型番のプリフィックス及びIDマークをカラーホットマークにて表示



- △ MUST BE KEPT BETWEEN -Z- AND 2
- 2. THE MATING PLUG HOUSING PART NUMBER: 175567, 176243, 917994, 917983
- 3. RECOMMENDED MOUNTING SCREW; 3mmDIA, 6mmLENGTH(MAX.)
PAN HEAD, CLASS 2 TAPPING SCREW SPECIFIED IN JIS B1115,B1122 (TIGHTENING TORQUE; 0.4N-m MAX.)
- 4. APPLICABLE PRODUCT SPEC NUMBER; 108-5280, 108-5342
- △ CIRCUIT NUMBER: POWER CIRCUIT NUMBER ①~⑩
SIGNAL CIRCUIT NUMBER ⑪~④②
- △ INDICATED PREFIX AND ID MARK OF PRODUCT PART NUMBER BY COLOR HOT MARK

OBSOLETE	9	SELECTIVE-TIN	PRE-TIN		WHITE	9-176242-1	
	1	TIN-LEAD	SELECTIVE GOLD	1~10	WHITE	1-176242-1	
	2		PRE-TIN X 10				
	2	TIN-LEAD	SELECTIVE GOLD X 32	-	BLUE	2-176242-5	
	0		PRE-TIN X 10				
	0	TIN-LEAD	SELECTIVE GOLD X 32	-	WHITE	2-176242-1	
	0		PRE-TIN	-	BLUE	176242-5	
	0		PRE-TIN	-	WHITE	176242-1	
△ MARKING		SOLDERING SIDE 半田付け部	CONTACT SIDE 接触部側	POWER CIRCUIT NO. パワー回路	SIGNAL CIRCUIT NO. シグナル回路	COLOR 色	P/N
		CONTACT FINISH コンタクト仕上		△ GOLD PLATED CIRCUIT NO. 金めっき回路番号			

TOLERANCES UNLESS OTHERWISE SPECIFIED:
 一般公差

10±	±0.2
30±	> 10: ±0.25
100±	> 30: ±0.3
ANGLE	±3°

THIS DRAWING IS A CONTROLLED DOCUMENT.

DIMENSIONS: 単位: 寸	TOLERANCES UNLESS OTHERWISE SPECIFIED: 一般公差
0 PLC ± -	1 PLC ± -
1 PLC ± -	2 PLC ± -
2 PLC ± -	3 PLC ± -
3 PLC ± -	4 PLC ± -
4 PLC ± -	ANGLES ± -
MATERIAL 材料	FINISH 仕上
HOUSING: PBT	SEE TABLE
CONTACT: BRASS	

DWN T.SHINOHARA 26JAN07		040/070 HYBRID I/O CONNECTOR 42POSITION CAP HOUSING ASSEMBLY	SIZE	CAGE CODE	DRAWING NO	RESTRICTED TO	
CHK K.BETSUI 26JAN07			A2	00779	C=176242	-	
APVD K.BETSUI 26JAN07			SCALE	SHEET	1 OF 1	REV	F3
PRODUCT SPEC 製品規格 SEE NOTE 4			WEIGHT	20.6 g			
APPLICATION SPEC 取付適用規格	CUSTOMER DRAWING						