

LOC A	DIST 7	REVISIONS				
P	LTR	DESCRIPTION	DATE	DWN	APVD	
	B	ECR-09-011384	5-2009	MY	TM	

PART NUMBER	REV	FIRST USED
2-601966-9	B	-


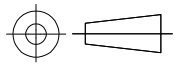
CUSTOMER
DRAWING
DOES NOT EXIST

THIS DRAWING IS UNPUBLISHED.

ALL INTERNATIONAL RIGHTS RESERVED.

BY TYCO ELECTRONICS CORPORATION.

COPYRIGHT

DIMENSIONS: INCHES	DWN	M.YOUNGER	18MAY2009	MATERIAL	-	FINISH	-				
	CHK	R.SCHAEFFER	19MAY2009	 Tyco Electronics Corporation Harrisburg, PA 17105-3608							
TOLERANCES UNLESS OTHERWISE SPECIFIED:		APVD	R.SCHAEFFER					19MAY2009			
0 PLC ± -	PRODUCT SPEC		NAME								
1 PLC ± -	-		POSITIONER								
2 PLC ± .02	APPLICATION SPEC		-								
3 PLC ± .005	-		SIZE	CAGE CODE	DRAWING NO	RESTRICTED TO					
4 PLC ± -	-		A4	00779	C-2-601966-9	-					
ANGLES ± 0°30'	WEIGHT		-								
			CUSTOMER DRAWING			SCALE	NTS	SHEET	1 OF 1	REV	B