

4

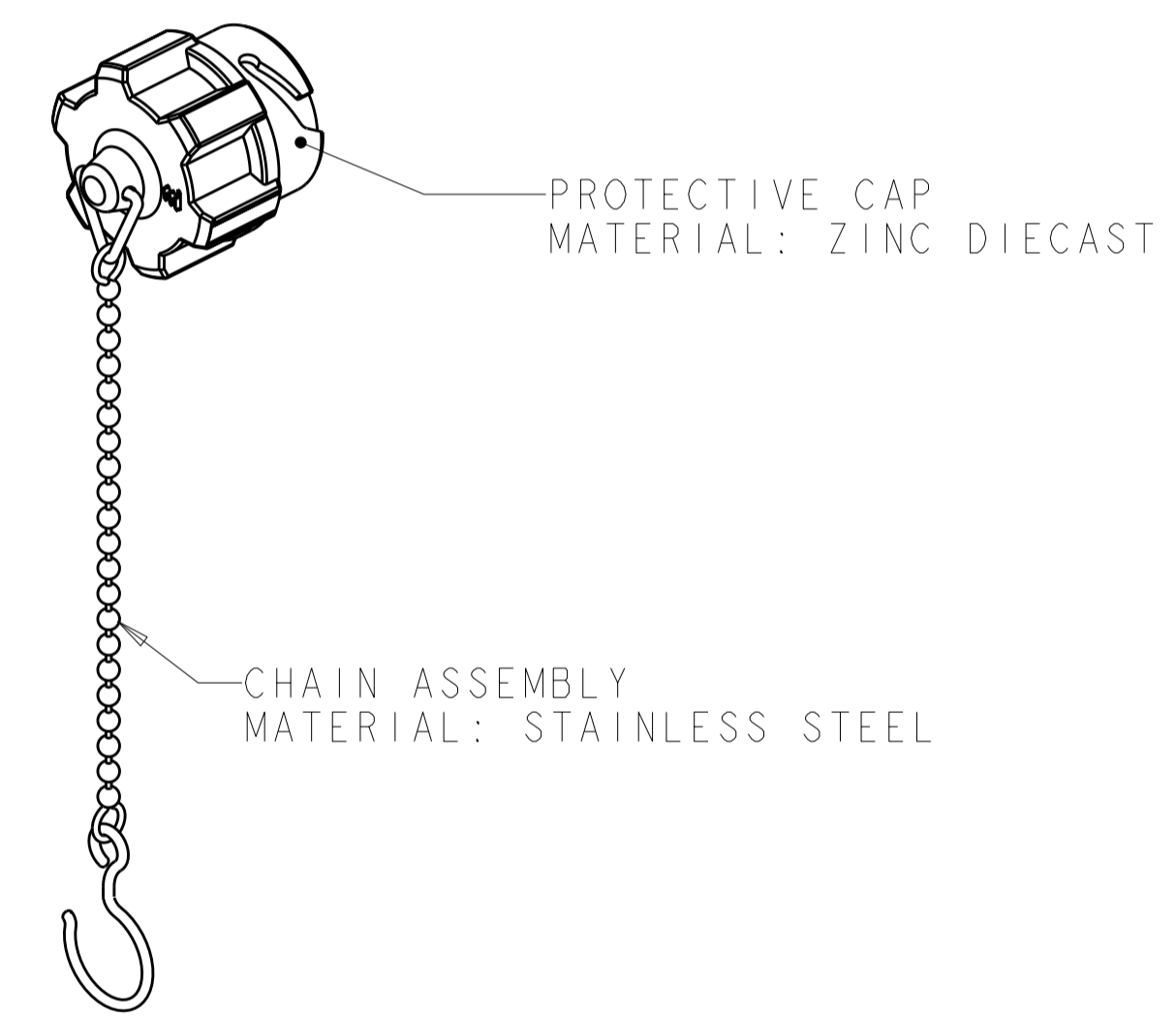
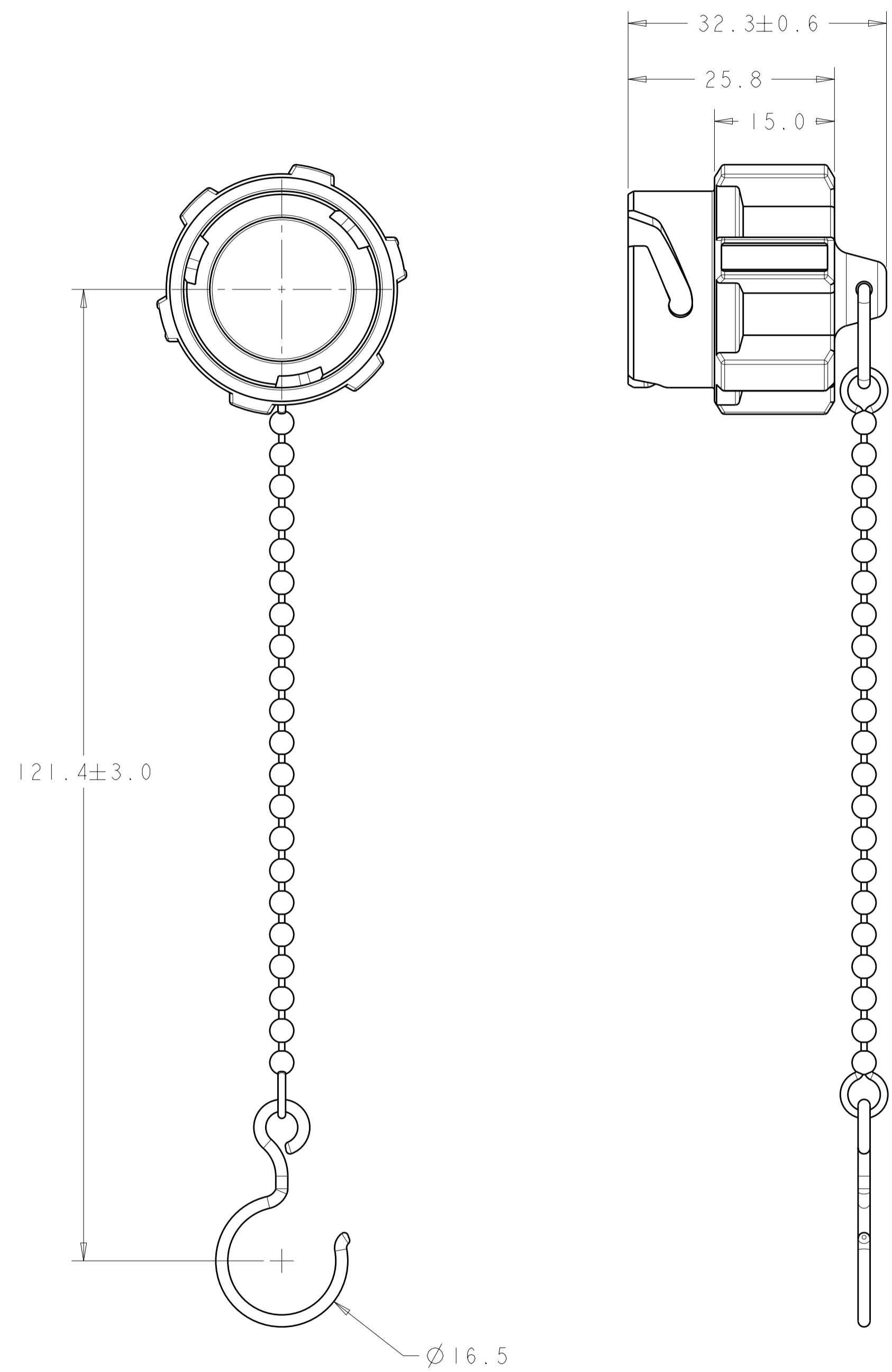
3

2

1

THIS DRAWING IS UNPUBLISHED. RELEASED FOR PUBLICATION 20
 © COPYRIGHT 20 BY TYCO ELECTRONICS CORPORATION. ALL RIGHTS RESERVED.

LOC		DIST		REVISIONS			
P	LTR	DESCRIPTION	DATE	DWN	APVD		
	A	REVISED PER ECO-09-017978	19AUG2009	SS	MS		



SCALE 1:1

2058442-1
 PART NUMBER

<small>THIS DRAWING IS A CONTROLLED DOCUMENT FOR TYCO ELECTRONICS CORPORATION. IT IS SUBJECT TO CHANGE AND THE CONTROLLING ENGINEERING ORGANIZATION SHOULD BE CONTACTED FOR THE LATEST REVISION.</small>		DWN S. WELDON 27AUG2008 CHK K. DAMODHARAN 27AUG2008 APVD K. DAMODHARAN 27AUG2008	Tyco Electronics Tyco Electronics Harrisburg, PA 17105-3608
DIMENSIONS: mm		PRODUCT SPEC 108-2198	NAME PROTECTIVE CAP ASSEMBLY
TOLERANCES UNLESS OTHERWISE SPECIFIED: 0 PLC ±1 1 PLC ±0.5 2 PLC ±0.10 3 PLC ±0.000 4 PLC ±0.0000 ANGLES ±1° FINISH		APPLICATION SPEC 114-13136	SIZE CAGE CODE DRAWING NO RESTRICTED TO A200779 C-2058442 -
MATERIAL -		WEIGHT -	SCALE 3:1 SHEET 1 OF 1 REV A
CUSTOMER DRAWING			