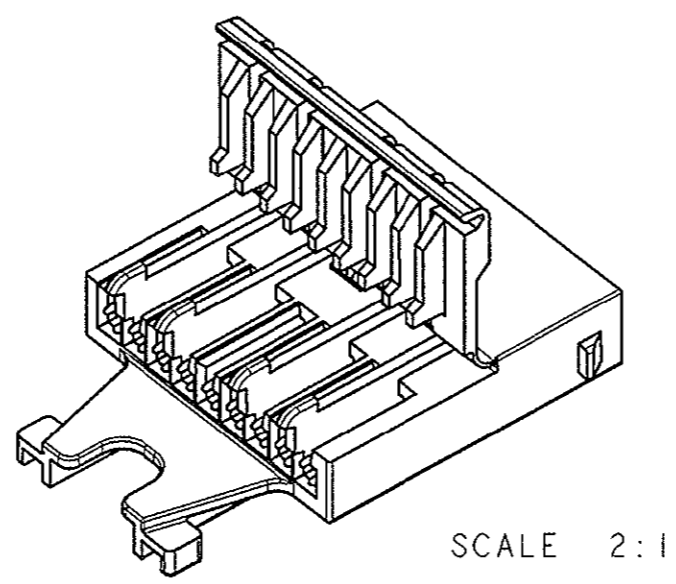
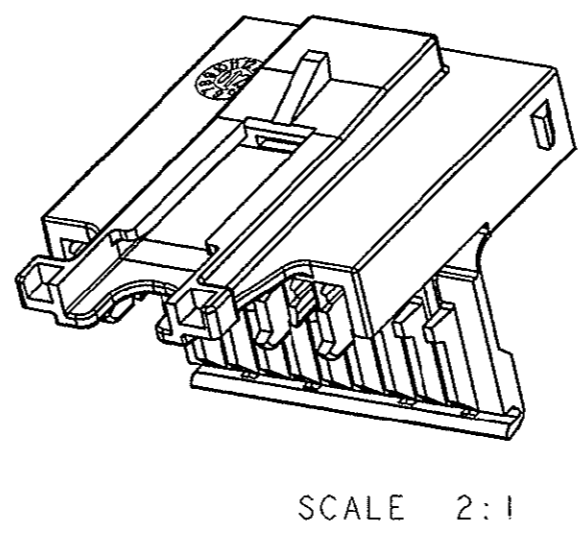
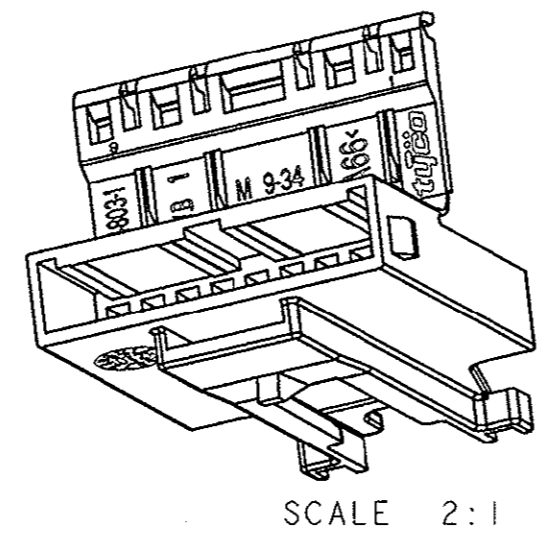
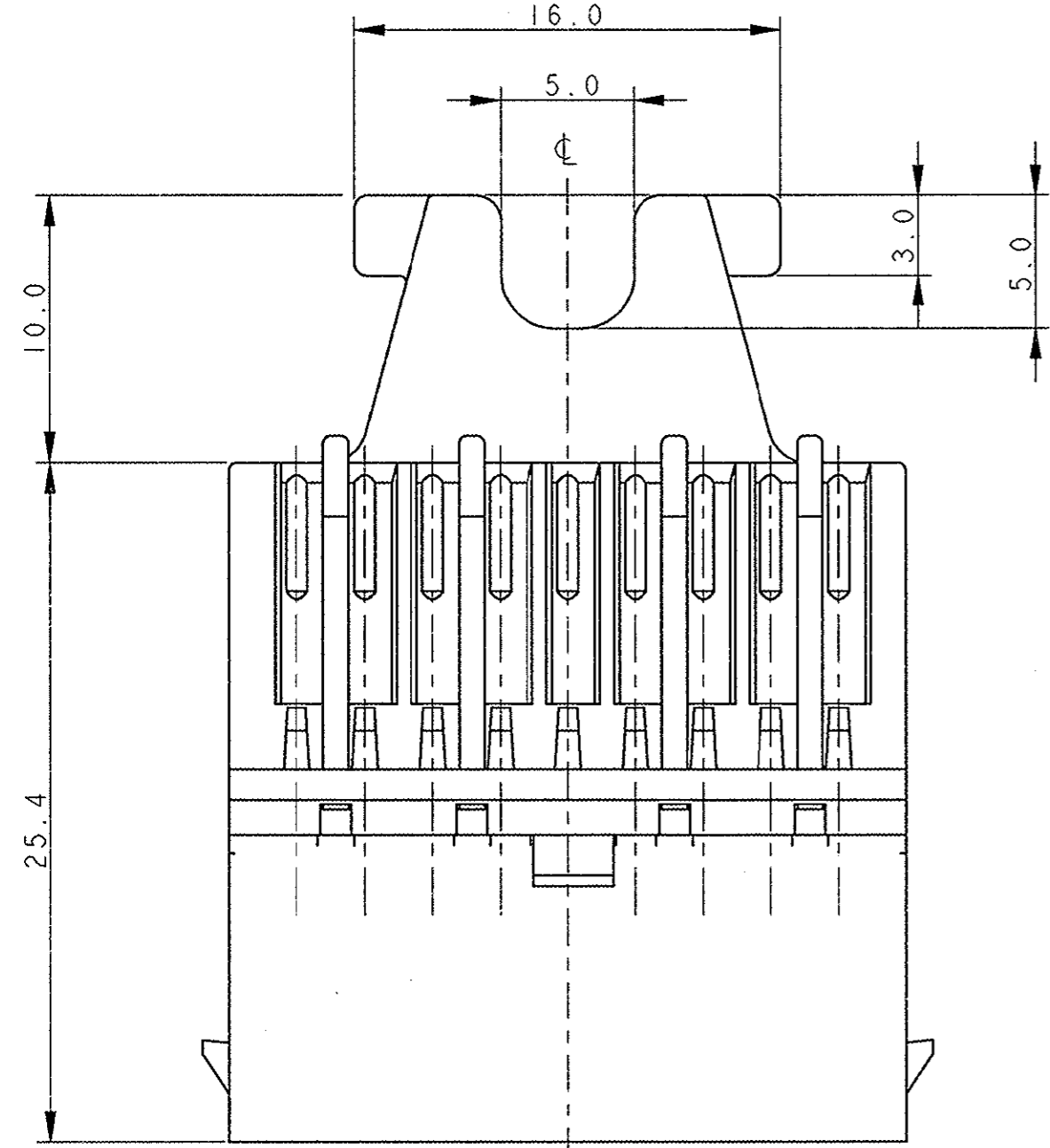
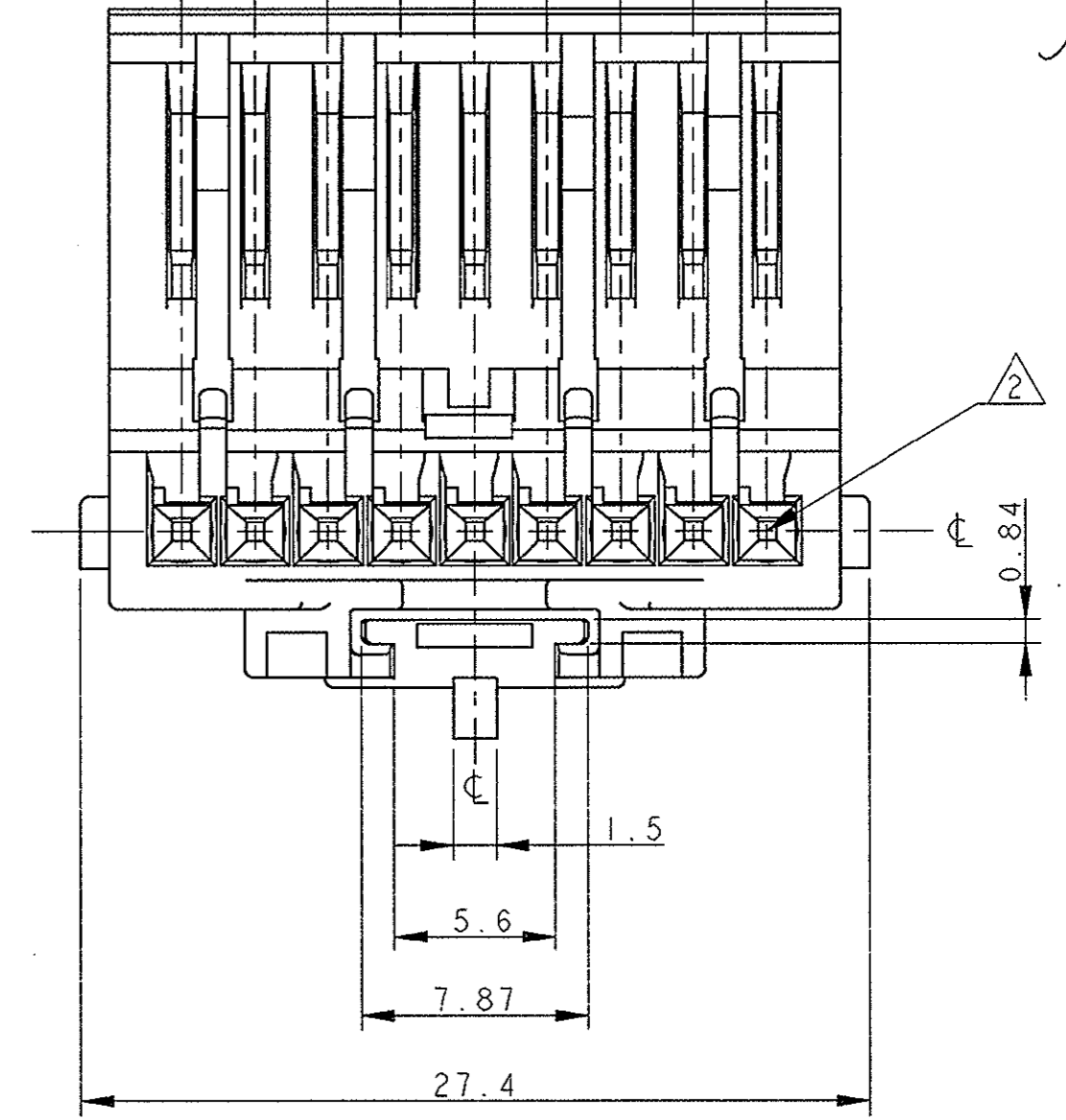
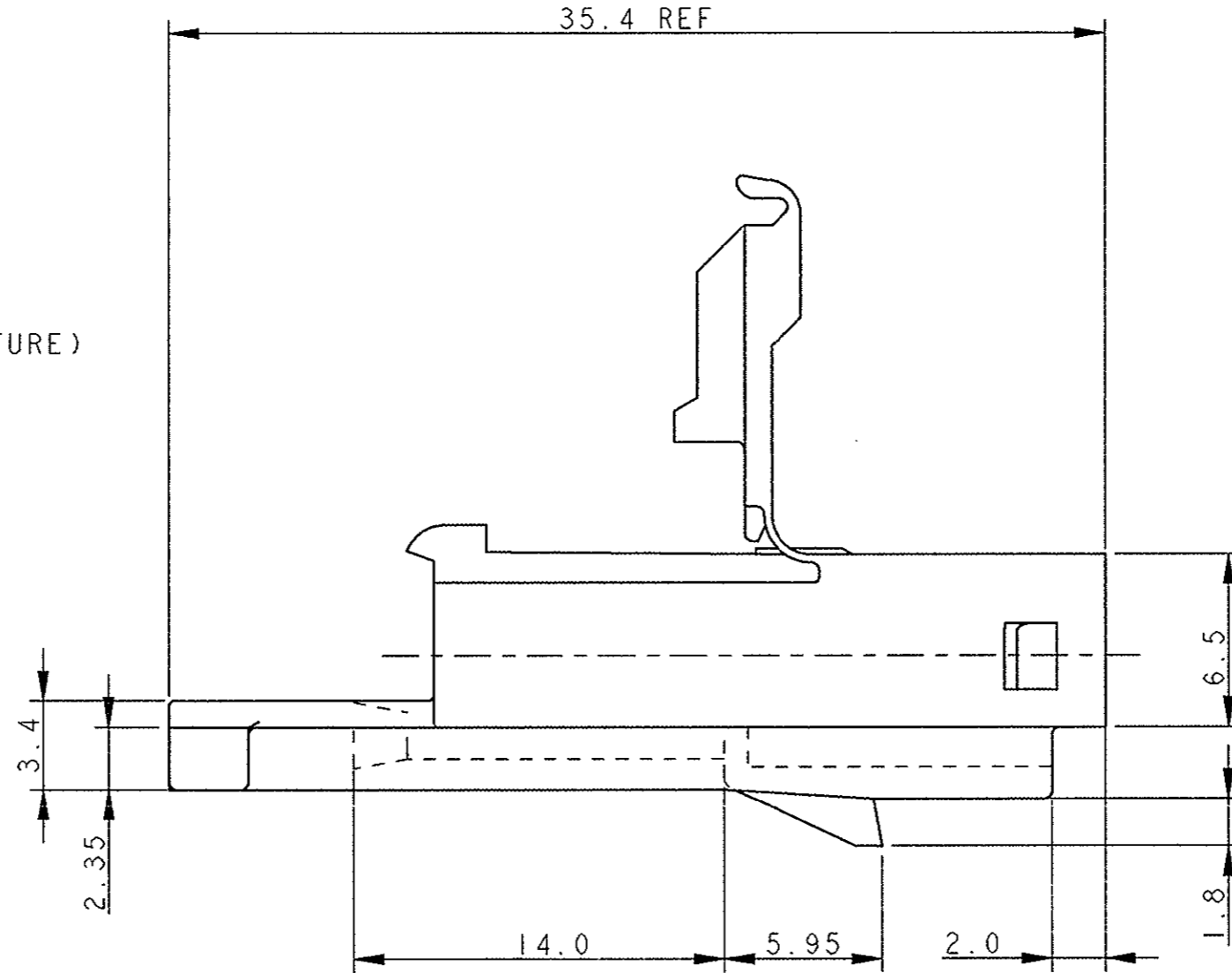
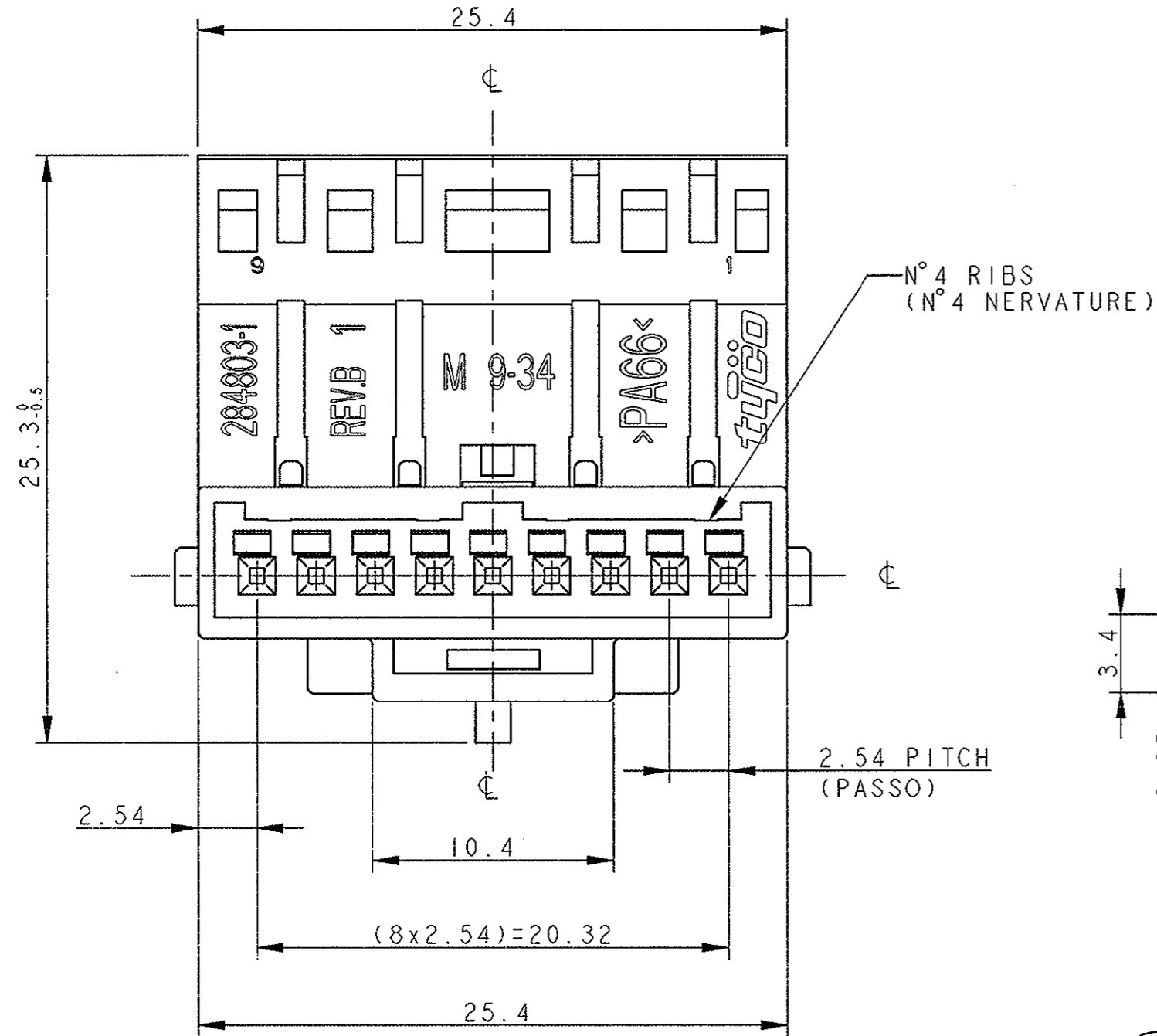


THIS DRAWING IS UNPUBLISHED. RELEASED FOR PUBLICATION 2001  
 © COPYRIGHT 2001 BY TYCO ELECTRONICS CORPORATION. ALL RIGHTS RESERVED.

LOC	DIST	REVISIONS					
		P	LTR	DESCRIPTION	DATE	DWN	APVD
		0		PRELIMINARY ISSUE (EMISSIONE PRELIMINARE)	20NOV2001	M.P.	O.C.
		A		FIRST ISSUE	5FEB2002	M.P.	O.C.
		A1		UPDATED DRAWING	26FEB2002	M.P.	O.C.
		A2		UPDATED DRAWING (ET00-0139-02)	15JUL2002	M.P.	O.C.
		A3		RELEASED FOR PRODUCTION (ET00-0114-03)	23FEB2004	M.P.	O.C.
		A4		UPDATED DRAWING (ET00-0116-04)	26MAY2004	M.P.	O.C.
		B		UPDATED DRAWING (ET00-0176-04)	02SEP2004	M.P.	O.C.



- 1 MATERIAL : PA66 BLACK COLOR (MATERIALE : PA66 COLORE NERO)
- 2 CAVITIES SUITABLE FOR MICRO QUADLOCK SYSTEM CONTACT P/N 1-928918-1 (0.25-0.5 mm<sup>2</sup>) AND P/N 963716-1 (0.75 mm<sup>2</sup>) (CAVITA' ADATTE PER CONTATTO TIPO MICRO QUADLOCK SYSTEM-MQS) P/N 1-928918-1 (0.25-0.5 mm<sup>2</sup>) e P/N 963716-1 (0.75 mm<sup>2</sup>)
- 3) CONNECTOR SUITABLE FOR COUNTERPART P/N 968571-1 (CONNETTORE ADATTO PER CONTROPARTE P/N 968571-1)
- 4) CONNECTOR SUPPLIED WITH SECONDARY LOCK IN OPEN POSITION (CONNETTORE FORNITO CON AGGANCIAMENTO SECONDARIO IN POSIZIONE APERTA)

P/N 284803-1 AS SHOWN (COME MOSTRATO)

DIMENSIONS: mm		TOLERANCES UNLESS OTHERWISE SPECIFIED:		DWN 20NOV2001	tyco Electronics AMP Italia C.so Fratelli Cervi, 15 Collegno (To)
MATERIAL		FINISH		CHK 20NOV2001	
MATERIAL		FINISH		APVD 20NOV2001	NAME
MATERIAL		FINISH		PRODUCT SPEC	PIN HOUSING 9 POSITIONS MQS (PORTAMASCHI 9 POSIZIONI MQS)
MATERIAL		FINISH		APPLICATION SPEC	SIZE CAGE CODE DRAWING NO
MATERIAL		FINISH		WEIGHT	A2 00779 C=284803
MATERIAL		FINISH		CUSTOMER DRAWING	RESTRICTED TO
MATERIAL		FINISH		SCALE 4:1	SHEET i OF i REV B