

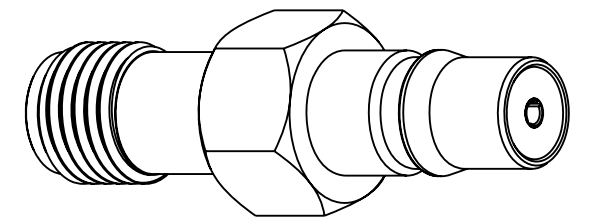
NOTES:

1. MATERIALS AND FINISHES:
 BODY - BRASS, WHITE BRONZE PLATING (.000080) THICK MIN
 CONTACT - BERYLLIUM COPPER, GOLD PLATING (.000030) THICK MIN
 INSULATOR - PTFE
2. ELECTRICAL:
 A. IMPEDANCE: 50 OHM
 B. INSERTION LOSS: 0.1dB MAX./1GHz TYP.
3. MECHANICAL:
 A. DURABILITY: 500 CYCLES MIN.
 B. TEMPERATURE RANGE: -65° C TO 165° C
4. PACKAGING:
 A. QUANTITY: SINGLE PACK
 B. MARKING: BAG TO BE MARKED
 "AMPHENOL, 930-100A-51S, AND DATE CODE"

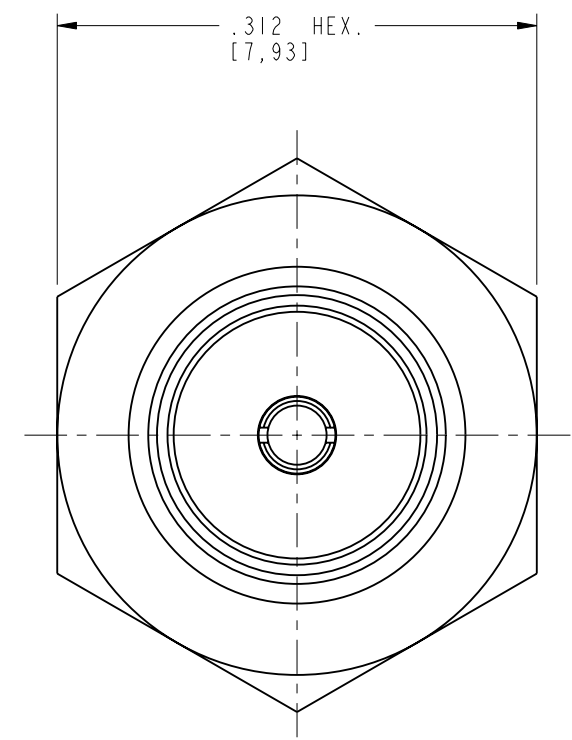
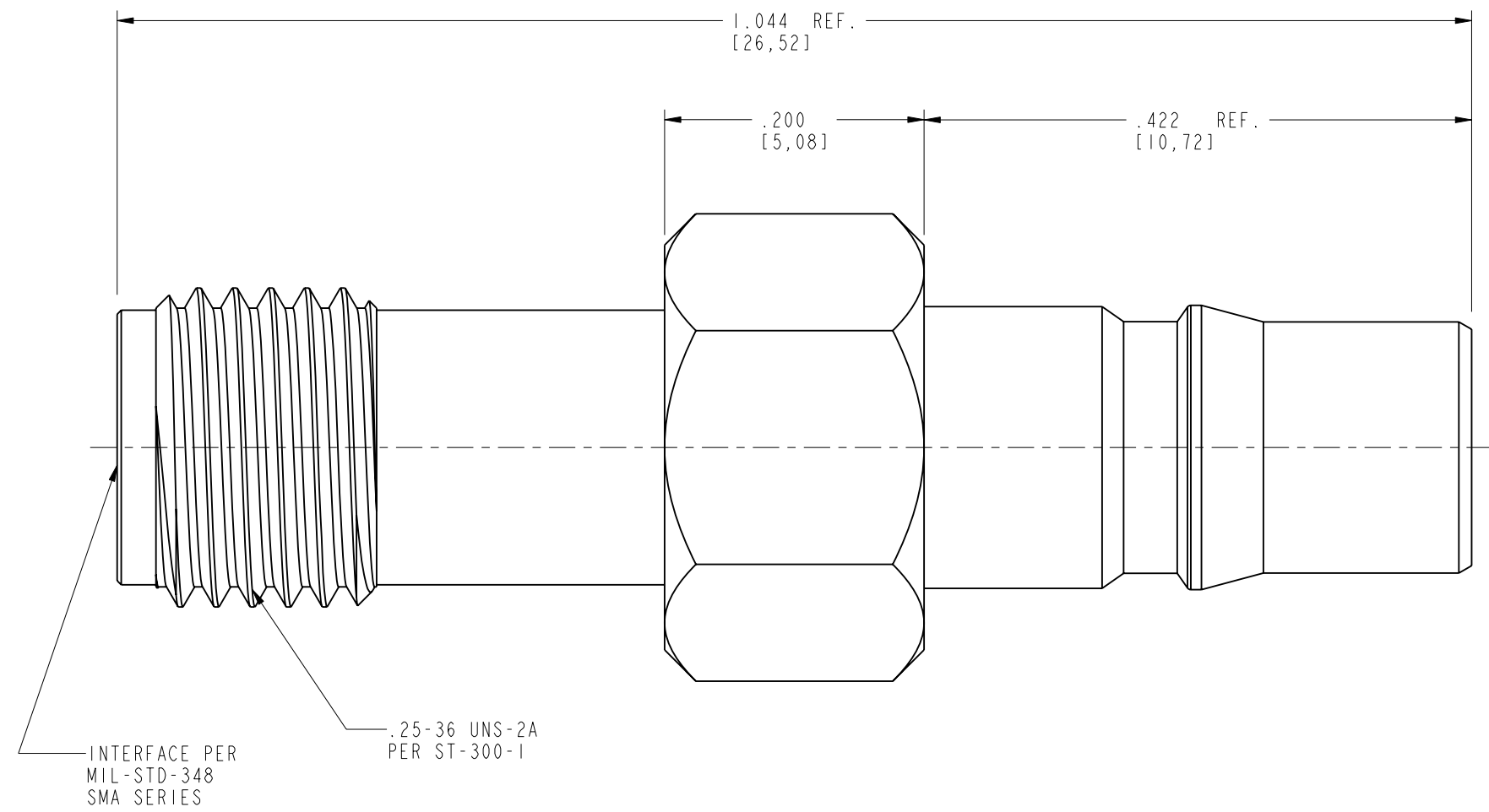
THIRD ANGLE PROJ.

REVISIONS

REV	DESCRIPTION	DATE	ECO	APPR
A	RELEASE TO MFG	7/17/03	44553	KJC
B	UPDATE TO GLOBAL FORMAT	09-Apr-11	48534	JJ



SCALE 3.000



CUSTOMER OUTLINE DRAWING
 ALL OTHER SHEETS ARE FOR INTERNAL USE ONLY

UNLESS OTHERWISE SPECIFIED, DIMENSIONS ARE IN METRIC AND TOLERANCES ARE: <0.5mm ±0.05mm 0.5 - 6mm ±0.1mm 6 - 30mm ±0.2mm 30 - 120mm ±0.3mm ANGLES ±1° NOTICE - These drawings, specifications, or other data (1) are, and remain the property of Amphenol corp. (2) must be returned upon request; and (3) are confidential and not to be disclosed to any person other than those to whom they are given by Amphenol Corp. the finishing of these drawings, specifications, or other data by Amphenol Corp., or to any other person to anyone for any purpose is not to be regarded by implication or otherwise in any manner licensing, granting rights to permitting such holder or any other person to manufacture, use or sell any product, process or design, patented or otherwise, that may in any way be related to or disclosed by said drawings, specifications, or other data.	MATERIAL	DRAWN JACY	DATE 17-May-11	TITLE QMA(F) TO SMA(F) ADAPTER	Amphenol RF Danbury CT USA, Tainan, Taiwan, Shenzhen, China www.amphenolrf.com	
	REFERENCE EAR# GEN# ASSY1_QMA_SMA 615x-1781-100	ENGINEER Rickson	DATE 17-May-11			SCALE: 8.0:1.0 SHEET 2 OF 2
	FINISH	APPROVED Scott	DATE 17-May-11	DWG SIZE B	REV B	DRAWING NO. 930-100A-51S
		I:/ADAPTOR/930-100A-51S				ITEM NO. 930-100A-51S PART NO. 930-100A-51S