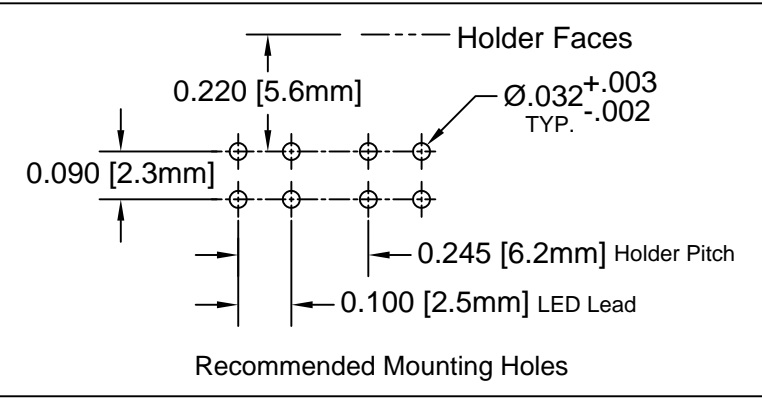
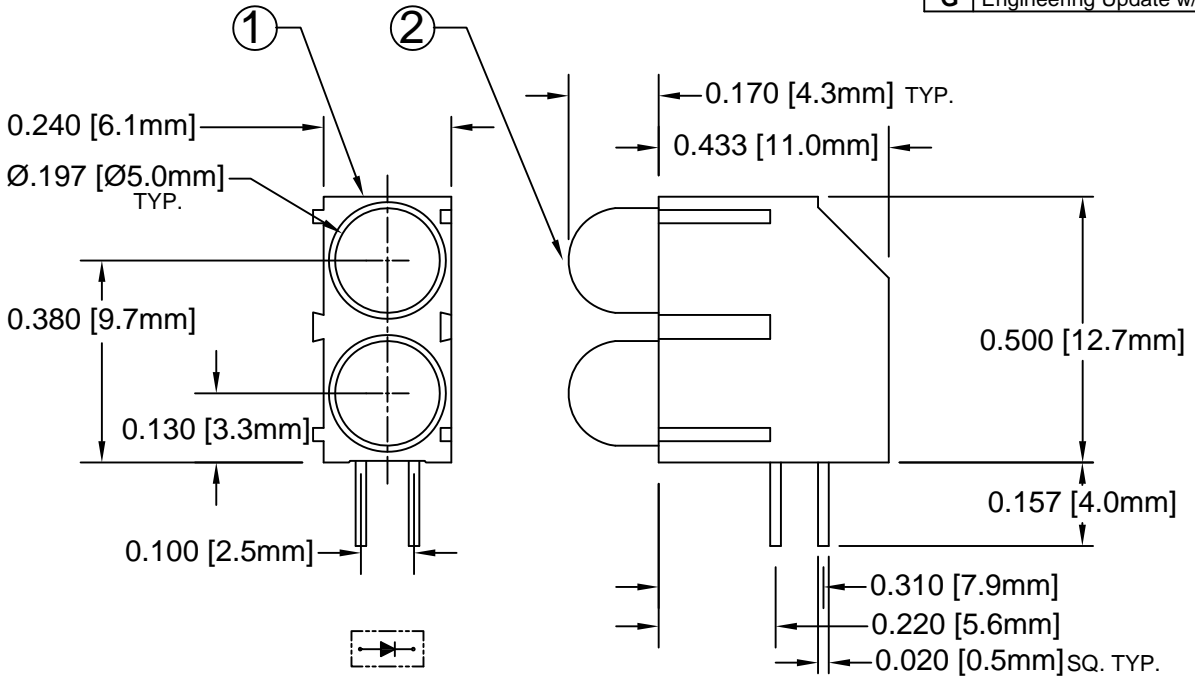
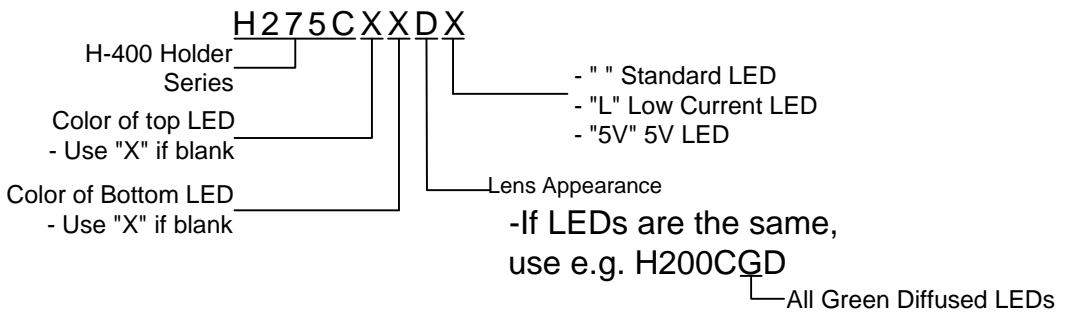


ITEM	Q'TY	PART NUMBER	PART DESCRIPTION
1	1	H-275C-2	T-1¼ (5mm) Bi-Level LED Holder, 90° Mount, Interlocking
2	2	5XX	T-1¼ (5mm) Non-Flange LED, See Page 2

REV.	DESCRIPTION	DATE	APPROVED
B	Added 12V LED's	02/01/05	M. C.
C	Corrected Holders from H-275C to H-275C-1	02/28/05	M. C.
D	Added 5mm Clear LEDs, Updated Protrusion	09/15/06	M. C.
E	Changed Holder from H-275C-1 to H-275C-2	02/14/07	M. C.
F	Added P/N Designation	04/02/12	T. Y.
G	Engineering Update w/o Changes	06/22/16	J. C.



**NOTE: P/N DESIGNATION**




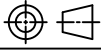
**ABSOLUTE MAXIMUM RATINGS (Ta=25° C)**

REVERSE VOLTAGE _____	5V
REVERSE CURRENT _____	100µA
OPERATING TEMPERATURE RANGE _____	-25° C - 85° C
STORAGE TEMPERATURE _____	-30° C - 100° C
LEAD SOLDERING TEMPERATURE(1/16" FROM BODY) _____	260° C FOR 5 SECONDS

STANDARD TOLERANCE (UNLESS OTHERWISE SPECIFIED)		 4 THOMAS, IRVINE, CA. 92618 TEL: (949) 951-8808 FAX: (949) 951-3974	
DECIMALS	ANGULAR		
.X ±.1	X° ±1°		
.XX ±.02		 <b>TITLE:</b> T-1¼ (5MM) INTERLOCKING 90° BI-LEVEL LED ASSY	
.XXX ±.010			
DESIGNED: <b>T. Yin</b>	DATE: <b>03/05/04</b>	<b>PART NO:</b> H275CXX	REVISION: <b>G</b>
CHECKED: <b>D. Green</b>	DATE: <b>03/05/04</b>		<b>CAGE CODE :</b> 32559
CAD GENERATED DOCUMENT. DO NOT MEASURE DRAWING.			


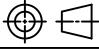
REV.	DESCRIPTION	DATE	APPROVED
	SEE SHEET #1		

LED Assy. No.	Peak Wave Length $\lambda_p$ (nm)	Emitted Color	Lens Appearance	Electro-Optical Data				Viewing Angle $2\theta \frac{1}{2}$ (Deg)	LED P/N
				If (mA)	Vf (V)		Iv (mcd)		
				TYP	TYP	MAX	TYP		
<b>STANDARD</b>				<b>Data @ 20mA</b>					
H275CBWC	430	BLUE	WATER CLEAR	20	4.0	4.5	125	20	5BWC
H275CBWD	430	BLUE	DIFFUSED	20	4.0	4.5	30	45	5BWD
H275CBWT	430	BLUE	TINTED	20	4.0	4.5	120	20	5BWT
H275CGC	565	GREEN	WATER CLEAR	20	2.2	2.6	150	20	5GC
H275CGD	565	GREEN	DIFFUSED	20	2.2	2.6	70	45	5GD
H275CGT	565	GREEN	TINTED	20	2.2	2.6	150	20	5GT
H275CYC	585	YELLOW	WATER CLEAR	20	2.1	2.6	140	20	5YC
H275CYD	585	YELLOW	DIFFUSED	20	2.1	2.6	70	45	5YD
H275CYT	585	YELLOW	TINTED	20	2.1	2.6	140	20	5YT
H275CAC	610	AMBER	WATER CLEAR	20	2.2	2.6	70	20	5AC
H275CAD	610	AMBER	DIFFUSED	20	2.2	2.6	45	45	5AD
H275CAT	610	AMBER	TINTED	20	2.2	2.6	70	20	5AT
H275CHC	635	HE RED	WATER CLEAR	20	2.0	2.6	150	20	5HC
H275CHD	635	HE RED	DIFFUSED	20	2.0	2.6	30	45	5HD
H275CHT	635	HE RED	TINTED	20	2.0	2.6	150	20	5HT
H275CRC	655	RED	WATER CLEAR	20	1.7	2.0	15	20	5RC
H275CRD	655	RED	DIFFUSED	20	1.7	2.0	5	45	5RD
H275CRT	655	RED	TINTED	20	1.7	2.0	15	20	5RT

STANDARD TOLERANCE (UNLESS OTHERWISE SPECIFIED) $\pm 10\%$ ALL VALUES    ANGULAR		 <b>BIVAR</b> <sup>®</sup> 4 THOMAS, IRVINE, CA. 92618 TEL: (949) 951-8808    FAX: (949) 951-3974	
			
DESIGNED: <b>T. Yin</b>	DATE: <b>03/05/04</b>	<b>PART NO:</b> H275CXX	
CHECKED: <b>D. Green</b>	DATE: <b>03/05/04</b>	<b>REVISION:</b> G	
		<b>CAGE CODE :</b> 32559 <b>SHEET #</b> 2 OF 3	
CAD GENERATED DOCUMENT. DO NOT MEASURE DRAWING.			

REV.	DESCRIPTION	DATE	APPROVED
	SEE SHEET #1		

LED Assy. No.	Peak Wave Length $\lambda_p$ (nm)	Emitted Color	Lens Appearance	Electro-Optical Data				Viewing Angle $2\theta \frac{1}{2}$ (Deg)	LED P/N
				If (mA)	Vf (V)		Iv (mcd)		
				TYP	TYP	MAX	TYP		
<b>LOW CURRENT</b>				<b>Data @ 2mA</b>					
H275CGDL	565	GREEN	DIFFUSED	2	1.8	2.2	3	45	5GDL
H275CYDL	585	YELLOW	DIFFUSED	2	1.9	2.2	3	45	5YDL
H275CHDL	635	HE RED	DIFFUSED	2	1.8	2.2	3	45	5HDL
<b>5 VOLT</b>				<b>Data @ 5V</b>					
H275CGD5V	565	GREEN	DIFFUSED	10	-	5.0	25	45	5GD5V
H275CYD5V	585	YELLOW	DIFFUSED	10	-	5.0	20	45	5YD5V
H275CHD5V	635	HE RED	DIFFUSED	10	-	5.0	50	45	5HD5V
<b>12 VOLT</b>				<b>Data @ 12V</b>					
H275C5GC12V	565	GREEN	WATER CLEAR	10	-	12.0	65	30	5GC12V
H275C5GD12V	565	GREEN	DIFFUSED	10	-	12.0	35	45	5GD12V
H275C5YC12V	585	YELLOW	WATER CLEAR	10	-	12.0	55	30	5YC12V
H275C5YD12V	585	YELLOW	DIFFUSED	10	-	12.0	35	45	5YD12V
H275C5HC12V	635	HE RED	WATER CLEAR	10	-	12.0	100	30	5HC12V
H275C5HD12V	635	HE RED	DIFFUSED	10	-	12.0	35	45	5HD12V
H275C5RC12V	700	RED	WATER CLEAR	10	-	12.0	18	30	5RC12V
H275C5RD12V	700	RED	DIFFUSED	10	-	12.0	5	45	5RD12V

STANDARD TOLERANCE (UNLESS OTHERWISE SPECIFIED) $\pm 10\%$ ALL VALUES    ANGULAR		 <b>BIVAR</b> <sup>®</sup> 4 THOMAS, IRVINE, CA. 92618 TEL: (949) 951-8808    FAX: (949) 951-3974		
				<b>TITLE:</b> T-1¼ (5MM) INTERLOCKING 90° BI-LEVEL LED ASSY
DESIGNED: <b>T. Yin</b>	DATE: <b>03/05/04</b>	<b>PART NO:</b> H275CXX		REVISION: <b>G</b>
CHECKED: <b>D. Green</b>	DATE: <b>03/05/04</b>	<b>CAGE CODE :</b> 32559		<b>SHEET #</b> 3 OF 3
CAD GENERATED DOCUMENT. DO NOT MEASURE DRAWING.				