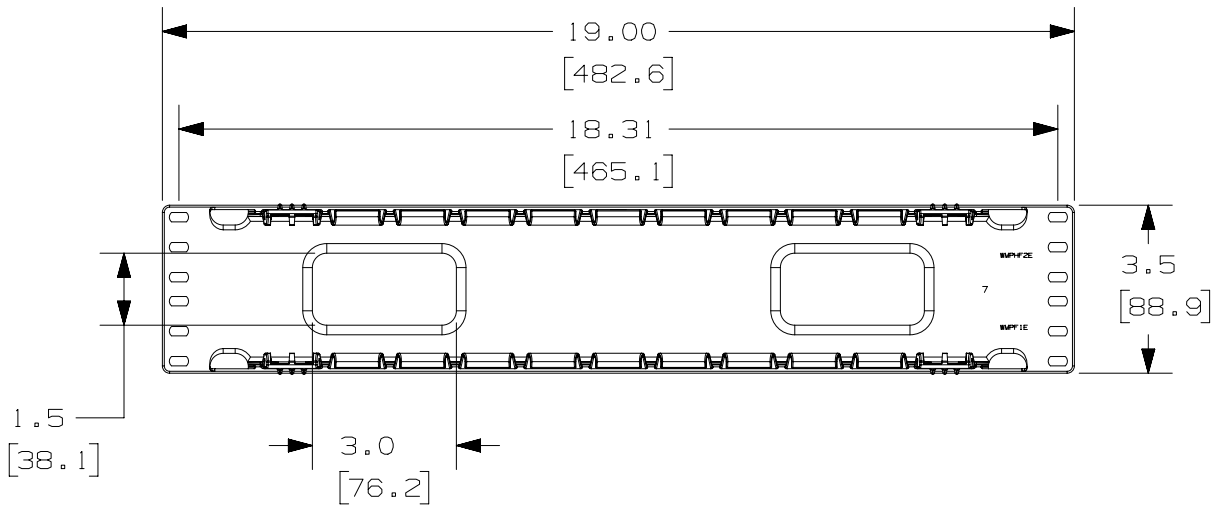


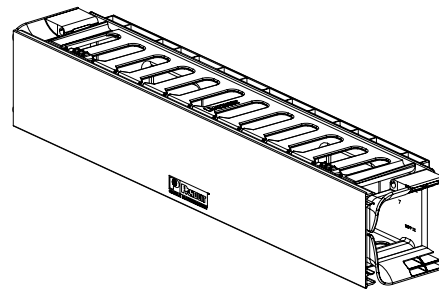
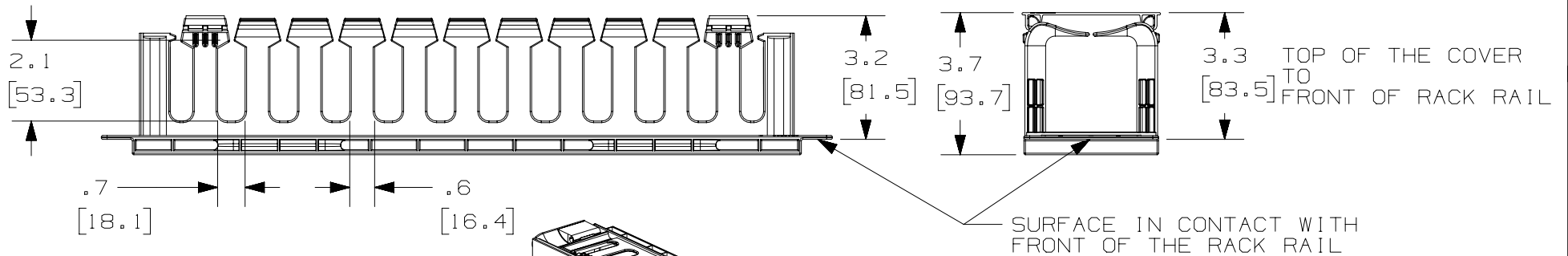
THIS COPY IS PROVIDED ON A RESTRICTED BASIS AND IS NOT TO BE USED IN ANY WAY DETRIMENTAL TO THE INTERESTS OF PANDUIT CORP.



PANDUIT P/N	WEIGHT
WMPHF2E	1.4 LBS/EACH 635 g/EACH

NOTES:

- DESIGNED FOR MOUNTING ON 19" EIA RACKS.
- COMPONENTS:  
1- MANAGER  
1- 19.375" DUAL HINGED COVER  
4- #12-24 x 2" SCREWS  
2- BEND RADIUS CLIPS
- DIMENSIONS IN PARENTHESES ARE METRIC.



TITLE		WMPHF2E HORIZONTAL MANAGER	
ITEM REVISION NAME		CUSTOMER DRAWING	
DATASET FILE NAME		V10101WF/07	<b>PANDUIT</b>
		V10101WF_DC/07A	
UNLESS OTHERWISE SPECIFIED, DIMENSIONAL TOLERANCES ARE: IN (mm)		MATERIAL:	
.X ±		ABS	
.XX ±		DRAWING NUMBER:	
ANGLES ±		10101-25	
THIRD ANGLE PROJECTION		SHT 1 OF 1	
DRAWN BY	DATE	CHK	SCALE
JDWE	12-17-02	MECA	NONE
REV	DATE	BY	CHK
07A	3-26-15	TWV	MACA
06D	4-22-13	BAME	RYB

REV	DATE	BY	CHK	APR	DESCRIPTION	ECN
07A	3-26-15	TWV	MACA	KRKE	BOM ADJUSTMENT; REVISED NOTES.	10101-25
06D	4-22-13	BAME	RYB	CMK	REVISED AND REDRAWN; ALL PREVIOUS REVS OMITTED REVISED TITLE BLOCK	10101-25

D10100DA/15