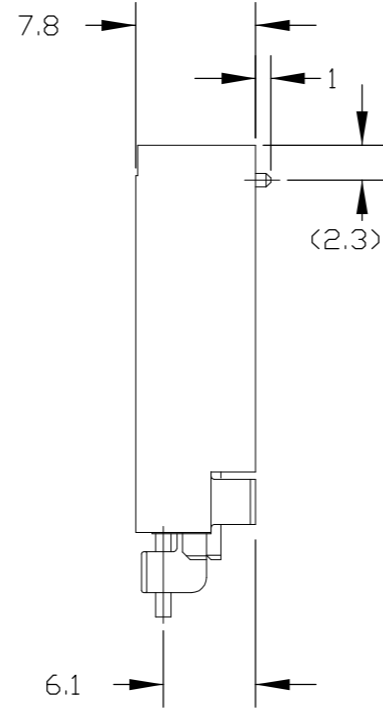
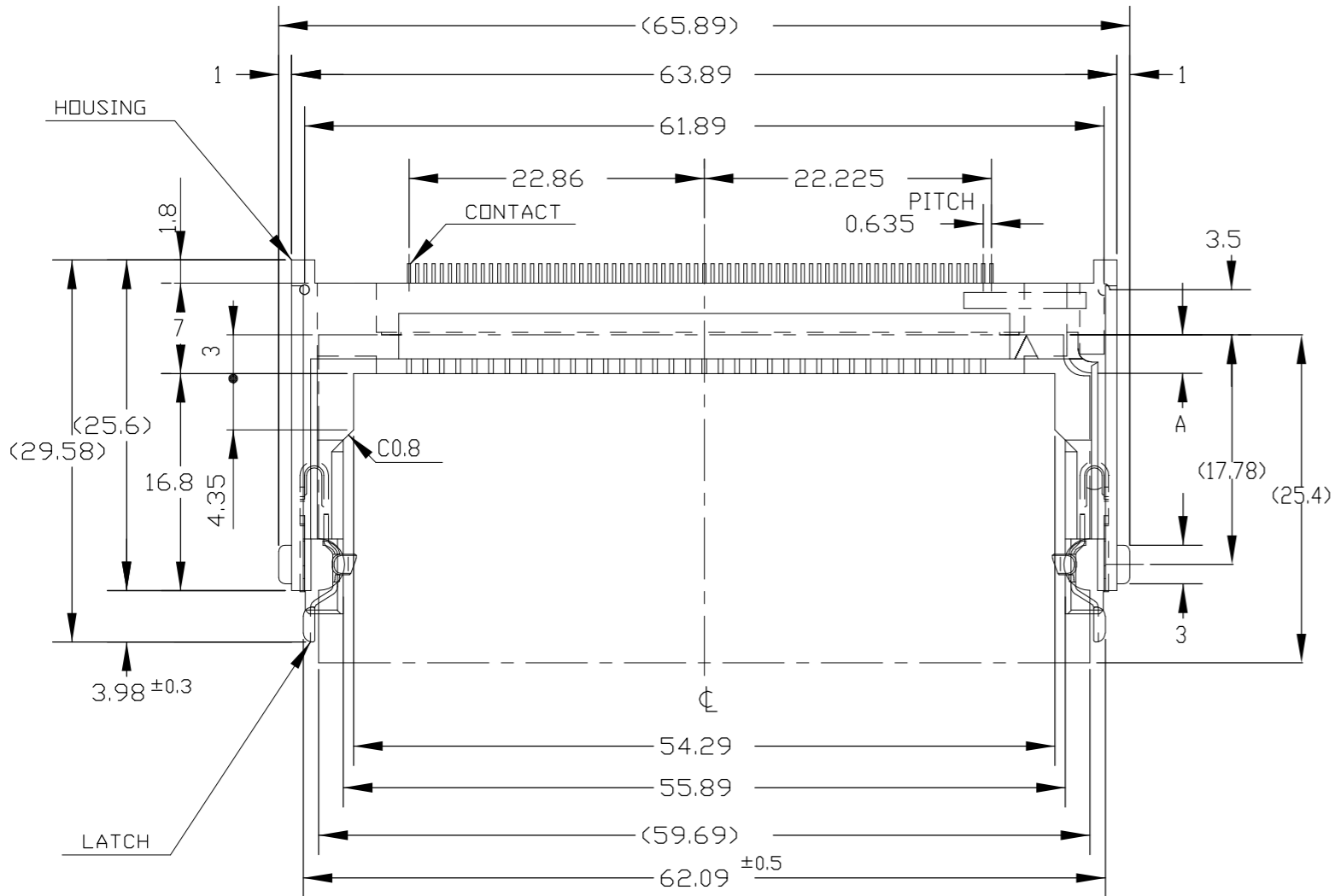


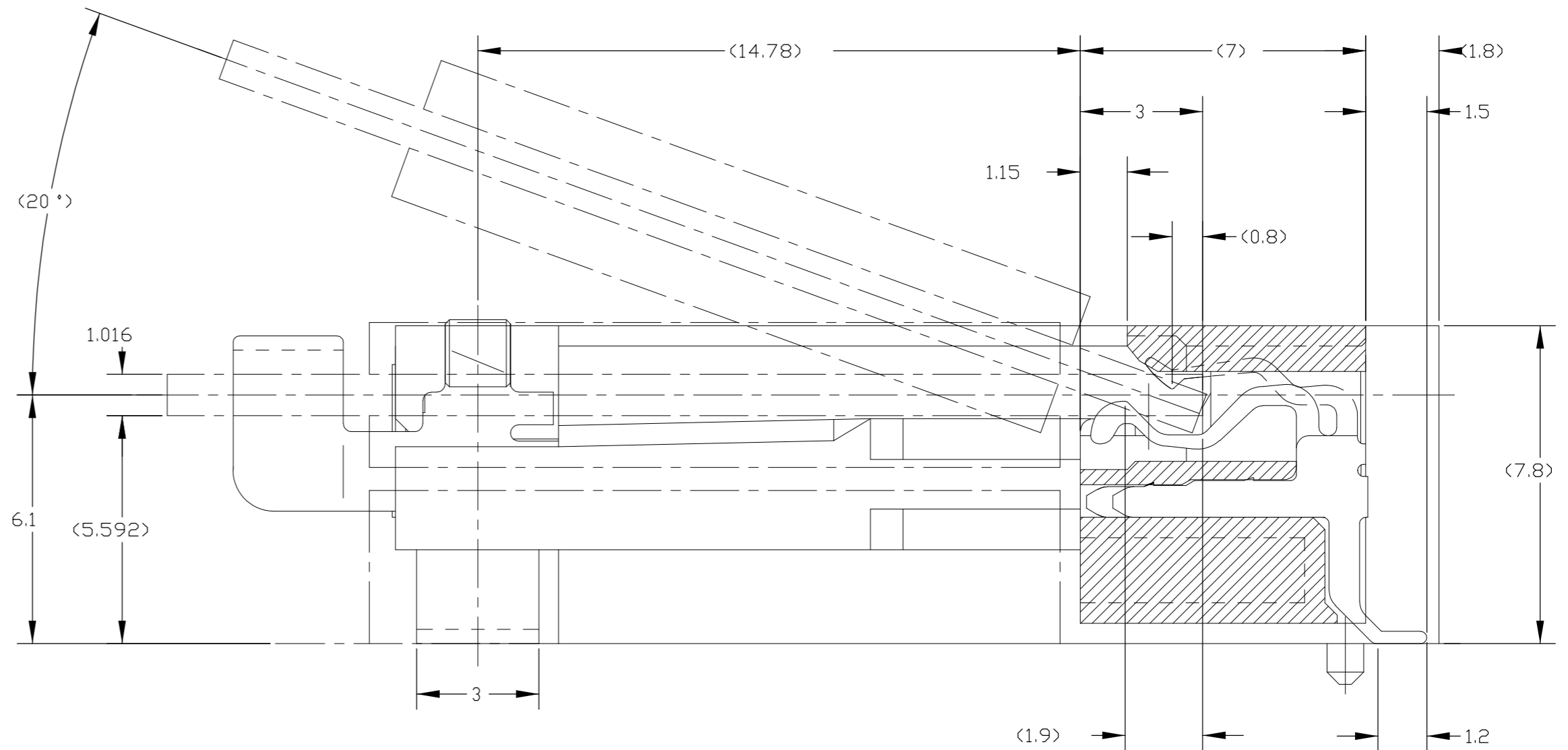
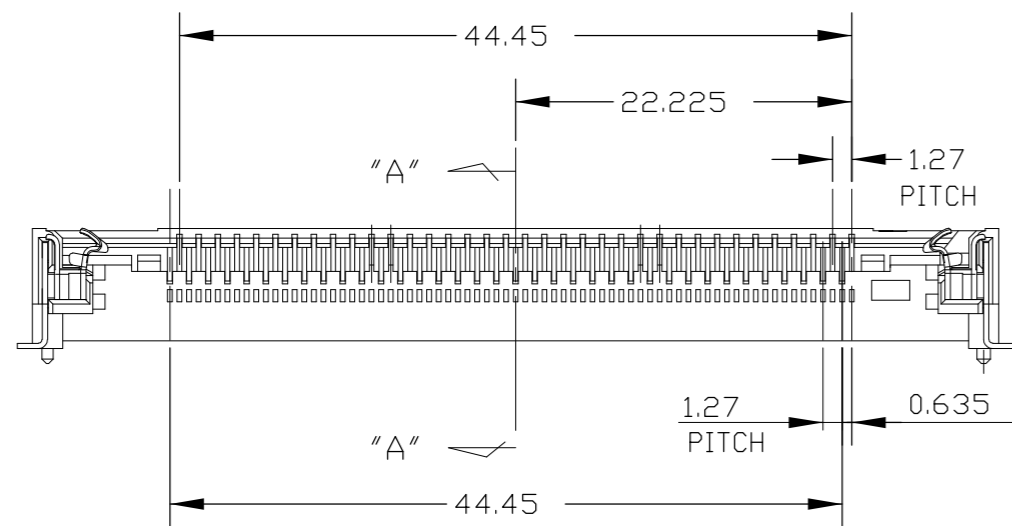
THIS DRAWING IS UNPUBLISHED. RELEASED FOR PUBLICATION
 © COPYRIGHT - By - ALL RIGHTS RESERVED.

LOC		DIST		REVISIONS			
P	LTR	DESCRIPTION	DATE	DWN	APVD		
J	-	P		REVISED PER ECO-11-005033	31MAR11	RK	HMR

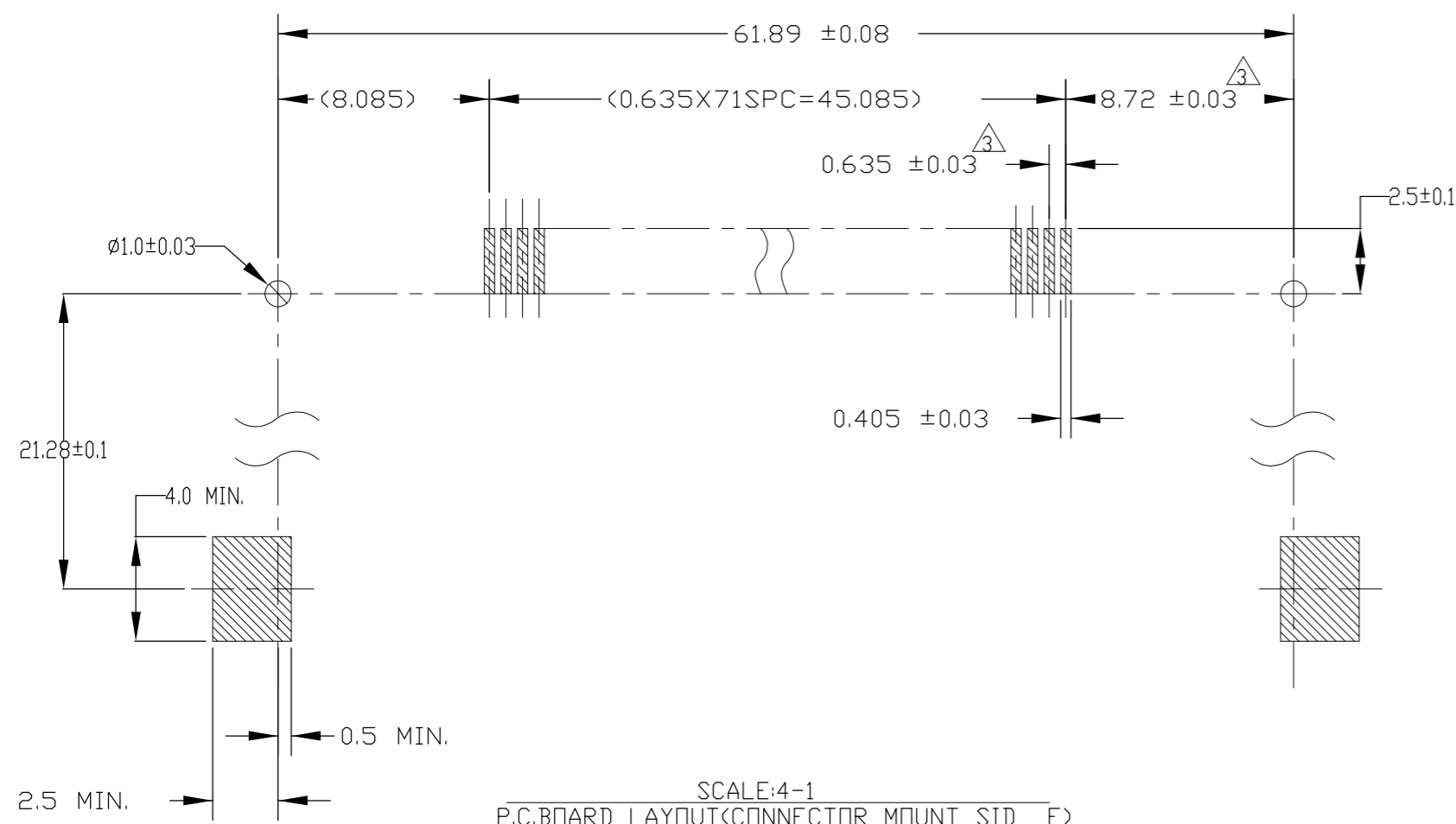


NOTES

- 1. MATERIAL & FINISH
- HOUSING : GLASS FILLED LCP
- CONTACT : COPPER ALLOY
- FINISH : SEE NOTES
- LATCH : STAINLESS STEEL, TIN PL.
- CONTACT PLATING (Au PL. TYPE)
- Au(0.0003)PLAT CONTACT, TIN PLAT
- TINE OVER Ni PL.
- TOLERANCE : NON CUMULATIVE.



SECT. "A" - "A"
(SCALE: 8-1)



SCALE: 4-1
P.C. BOARD LAYOUT (CONNECTOR MOUNT SIDE)

(GENERAL TOLERANCE)	(INSULATION DIA.)
0-10 : ± 0.2	mm ϕ
10-30 : ± 0.25	(WIRE RANGE)
30-100 : ± 0.3	mm ² (AWG -)
ANGLE : $\pm 3^\circ$	

THIS DRAWING IS A CONTROLLED DOCUMENT.		DWN	LEO ZHOU	17/MAY/05
DIMENSIONS: mm		CHK	STEVEN YAO	17/MAY/05
TOLERANCES UNLESS OTHERWISE SPECIFIED:		APVD	LENOMOTO	17/MAY/05
0 PLC	\pm	PRODUCT SPEC		
1 PLC	\pm	APPLICATION SPEC		
2 PLC	\pm	WEIGHT		
3 PLC	\pm	CUSTOMER DRAWING		
4 PLC	\pm			
ANGLES	\pm			
FINISH	SEE NOTES			

6.15	Δ	Au	5179601-3
2.98	Δ	Au	5179601-1
A		PLATING (CONTACT POINT)	PART No.

TE Connectivity		MIII SOCKET HIGH PRO.	
SIZE	CAGE CODE	DRAWING NO	RESTRICTED TO
A2	00779	C=5179601	-
SCALE	SHEET	REV	
2:1	1 of 2	P	

