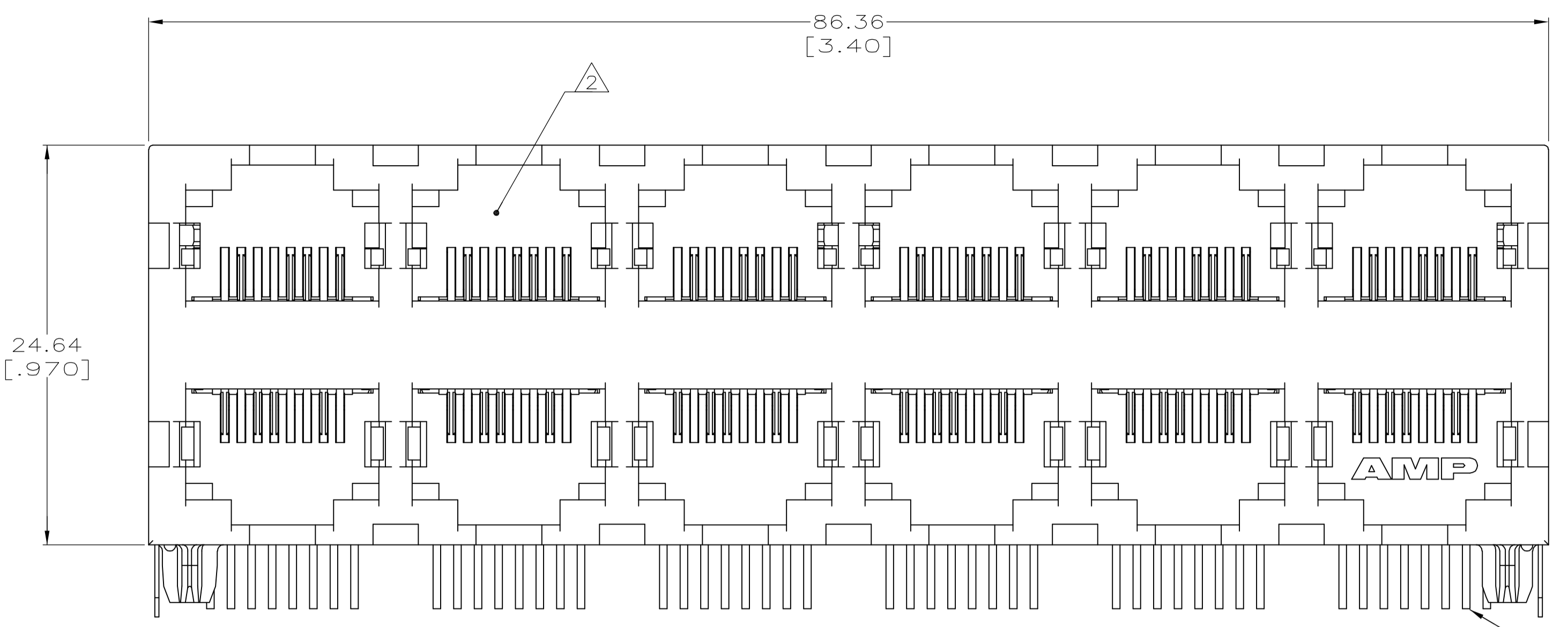
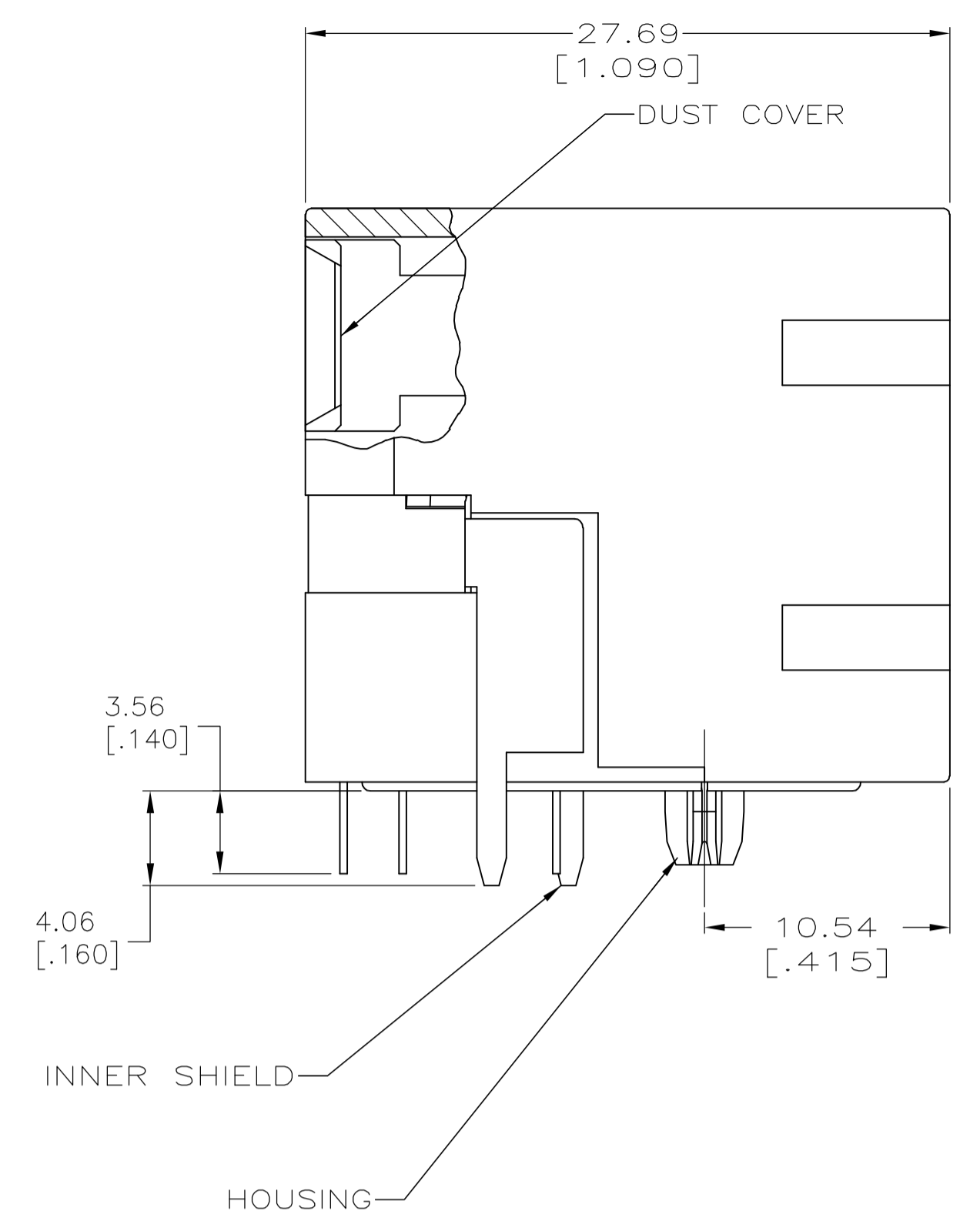


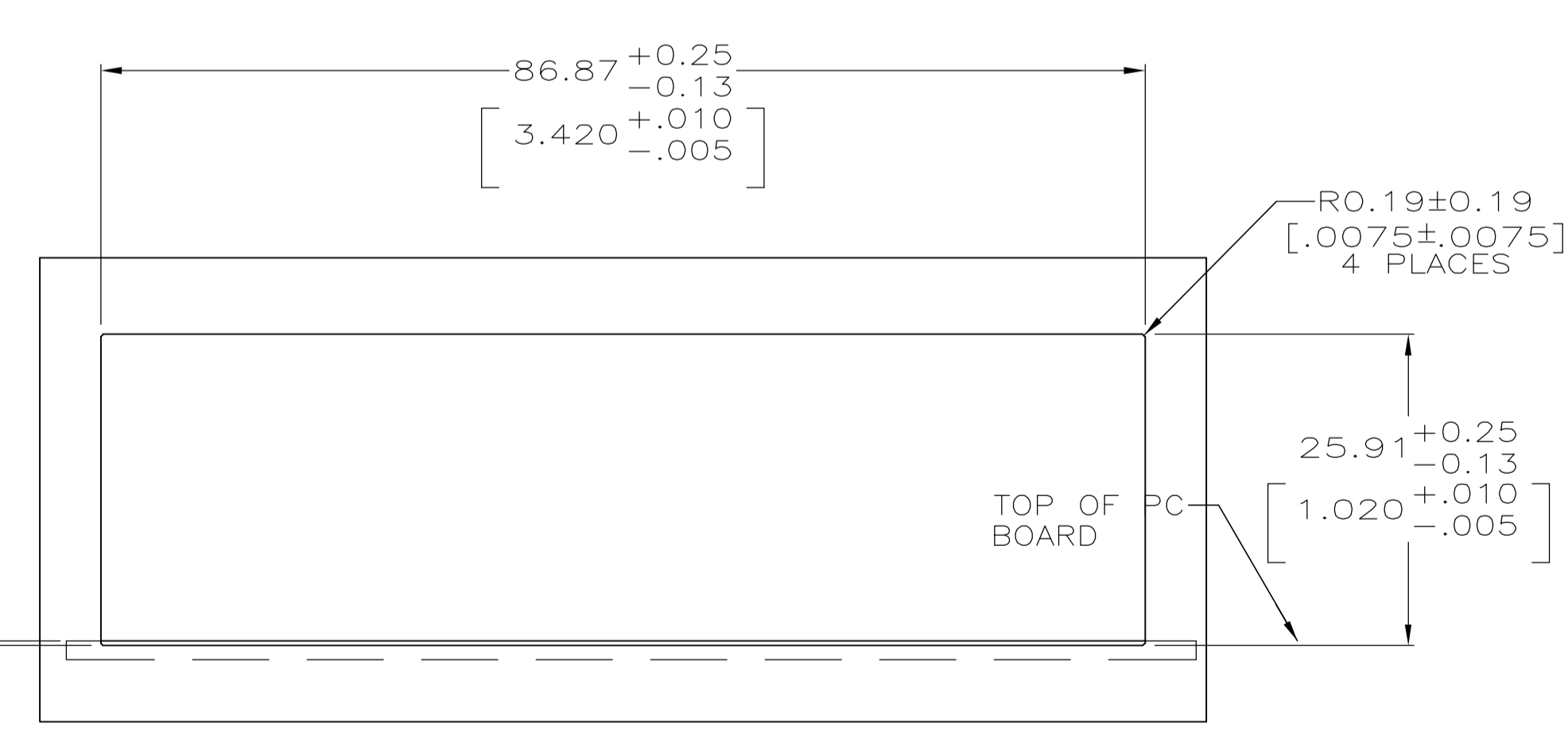
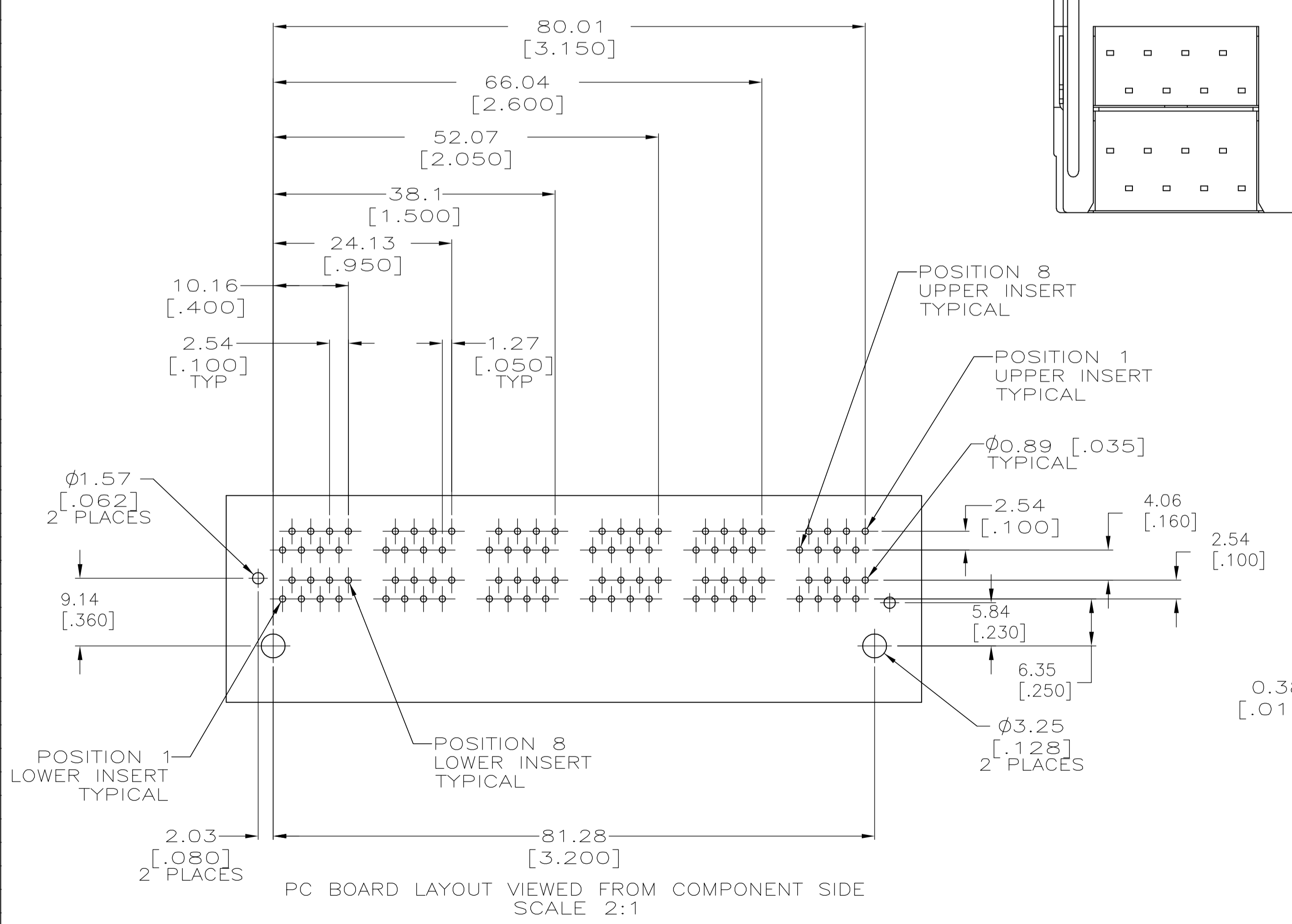
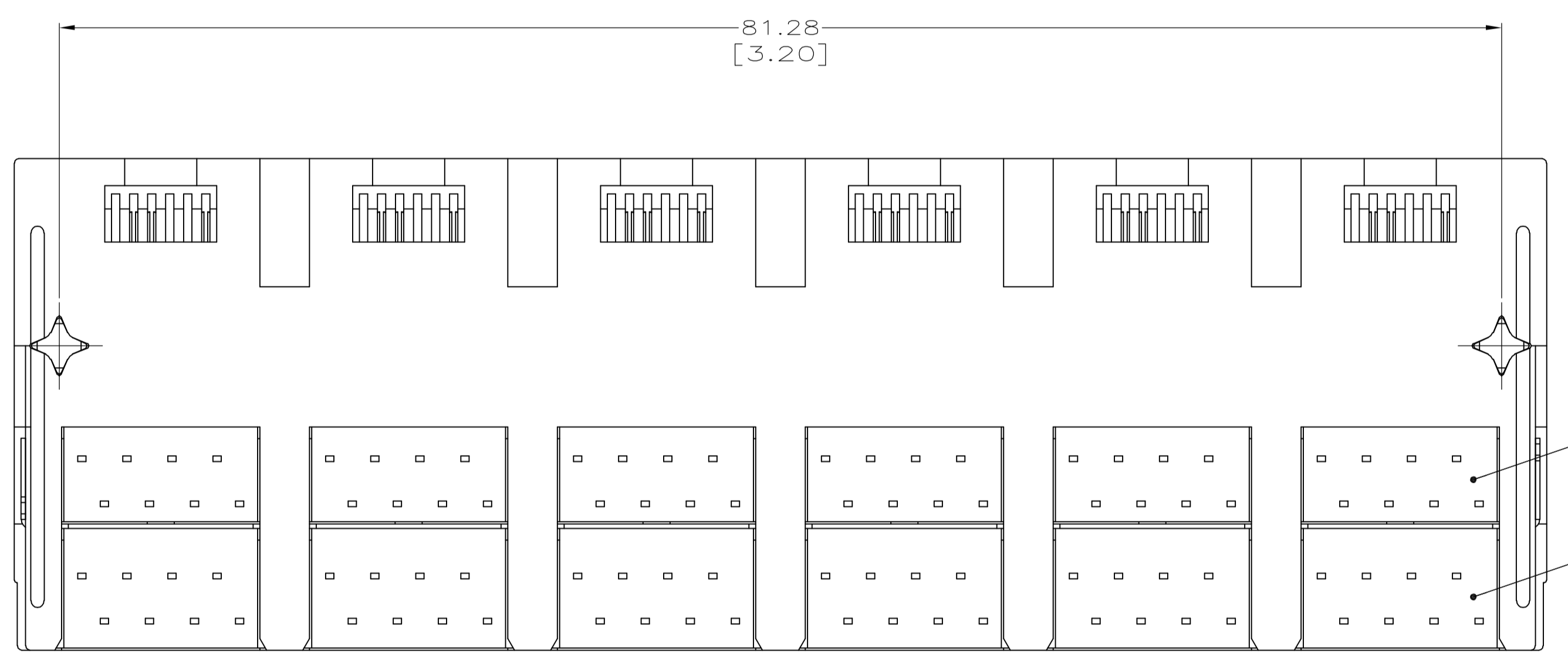
LOC		DIST		REVISIONS			
AA	22	F	L/R	DESCRIPTION	DATE	DWN	APVD
A				REV PER 0511-0201-04	09NOV05	RG	JW



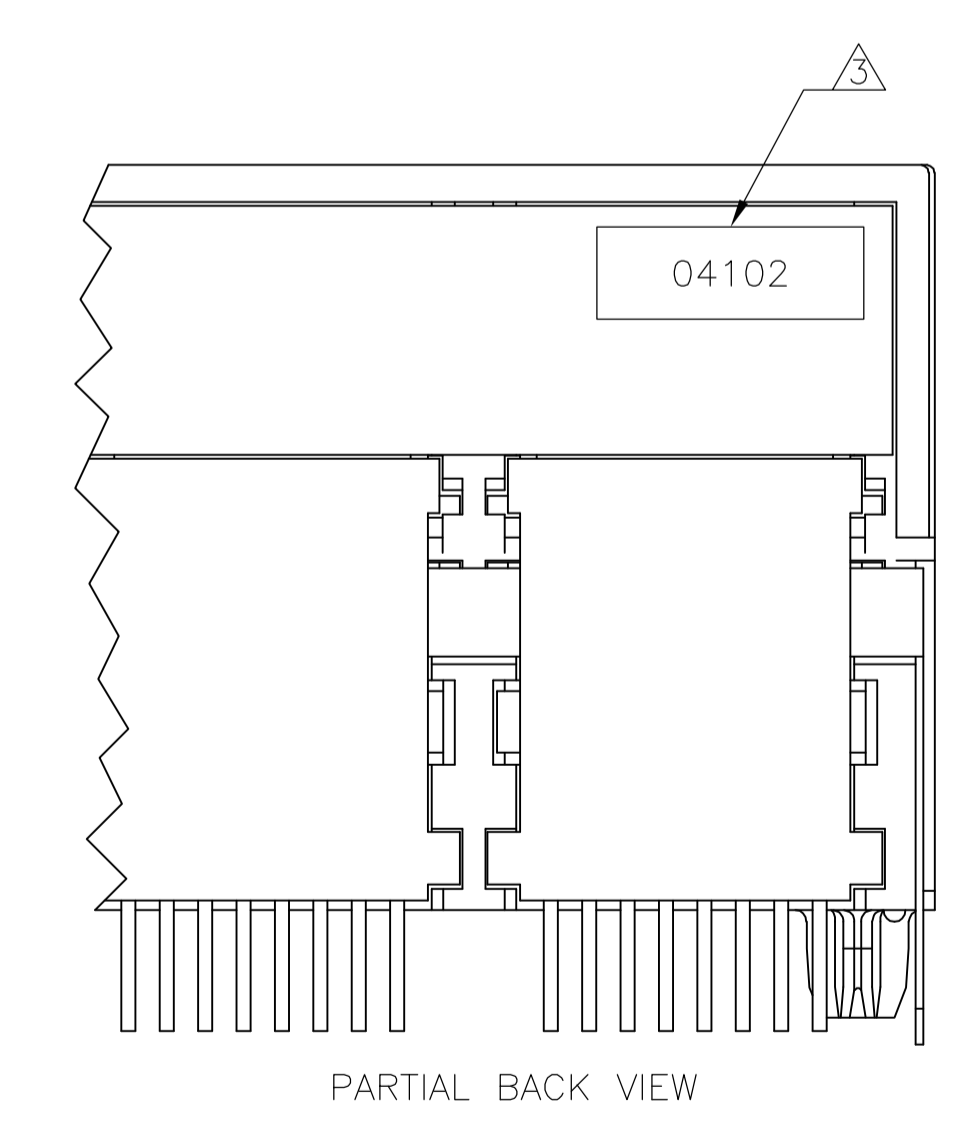
⚠ MATERIAL:
 HOUSING - PCT POLYESTER, BLACK, UL94V-0.
 OVERMOLDED TERMINAL ARRAY - PBT, BROWN.
 TERMINALS - 0.33 [.013] THICK PHOS BRONZE
 PLATED WITH 1.27µm [.000050] MIN THICK
 HARD GOLD IN LOCALIZED AREA AND 3.81µm
 [.000150] MIN THICK MATTE TIN IN SOLDER
 AREA OVER 1.27µm [.000050] MIN THICK
 NICKEL UNDERPLATE.
 SHIELD - 0.25 [.010] THICK COPPER ALLOY
 PLATED WITH 2.03µm [.000080] MIN BRIGHT TIN
 OVER 1.27µm [.000050] MIN NICKEL.

**⚠ JACK CAVITY CONFORMS TO FCC RULES AND
 REGULATIONS, PART 68 SUBPART F.**

**⚠ DATE CODE LOCATED ON REAR OF PART
 APPROXIMATELY AS SHOWN:
 FIRST 2 DIGITS ARE LAST 2 DIGITS OF YEAR,
 SECOND 2 DIGITS ARE MANUFACTURING
 WORK WEEK,
 LAST DIGIT IS DAY OF WEEK, WITH SUNDAY = 1.**



SUGGESTED PANEL CUTOUT DIMENSIONS
 SCALE 2:1



PARTIAL BACK VIEW

PC BOARD LAYOUT VIEWED FROM COMPONENT SIDE
 SCALE 2:1

THIS DRAWING IS A CONTROLLED DOCUMENT.		DWN R. GRZYBOWSKI	09NOV05		Tyco Electronics Corporation Harrisburg, PA 17105-3608	
DIMENSIONS: mm [INCHES]		CHK J. WESTMAN	09NOV05		APVD S. FLICKINGER	NAME STACKED MODULAR JACK ASSEMBLY, 2 X 6 PORT, 8 POSITION, UNSHIELDED, CATEGORY 5
TOLERANCES UNLESS OTHERWISE SPECIFIED:		0 PLC ± -		PRODUCT SPEC 108-1163-2	SIZE 114-2048	
		1 PLC ± -		APPLICATION SPEC 114-2048	SCALE 4:1	
		2 PLC ± 0.25[.01]		RESTRICTED TO	SHEET 1 OF 1	
		3 PLC ± 0.13[.005]		WEIGHT	REV A	
		4 PLC ± -		CUSTOMER DRAWING	SCALE 4:1 SHEET 1 OF 1 REV A	
MATERIAL		FINISH		DRAWING NO 00779 ©=5569253		