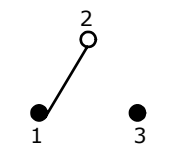
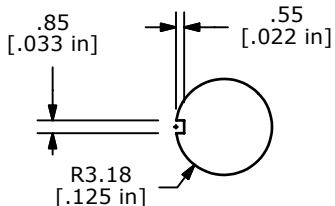


SWITCH FUNCTION		
POS. 1	POS. 2	POS. 3
ON	OFF	(ON)
2-3	OPEN	2-1

(ON) = MOMENTARY

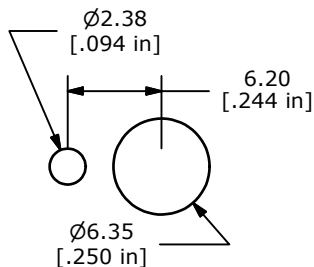


CIRCUIT: SPDT

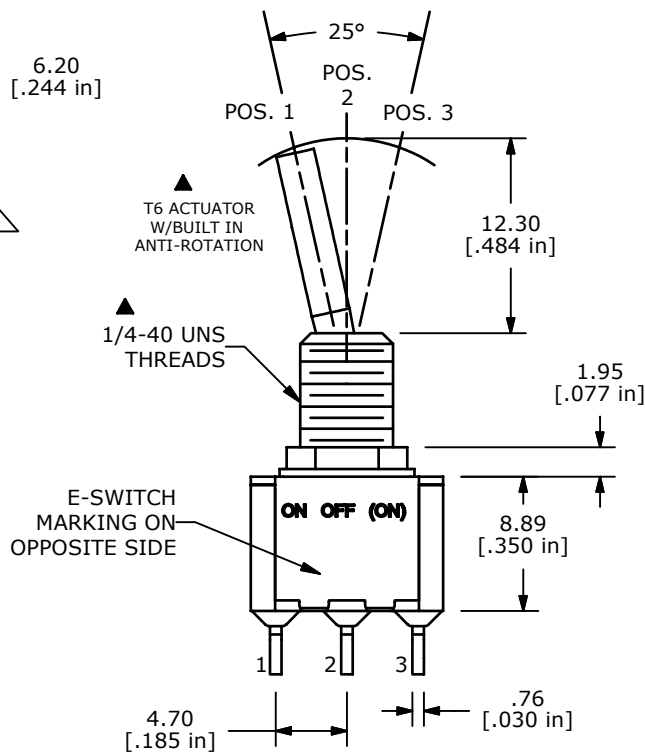
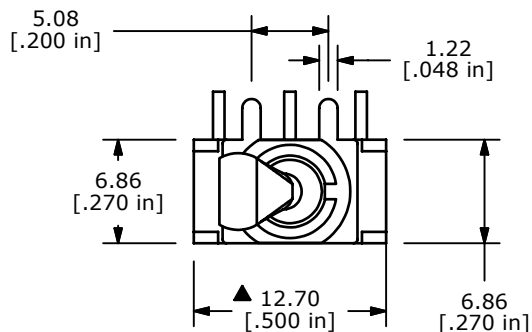


Without Locking Ring

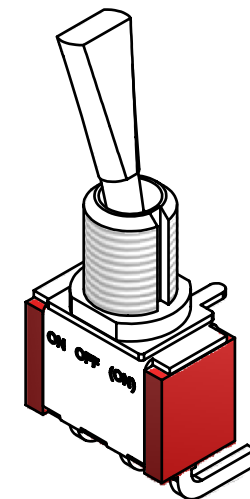
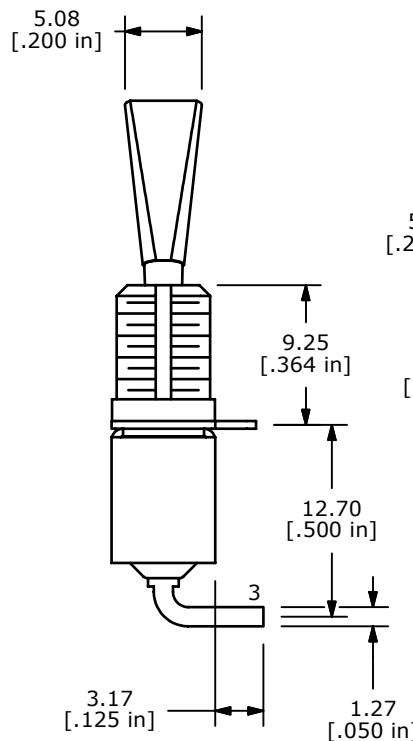
PANEL MOUNTING



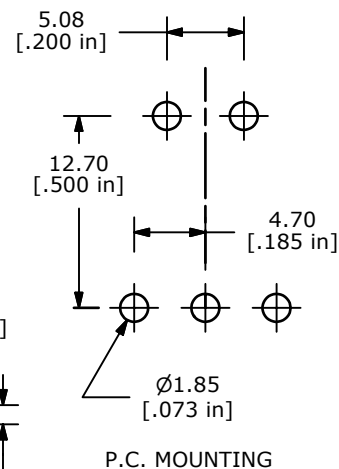
With Standard Locking Ring



E-SWITCH MARKING ON OPPOSITE SIDE



ISOMETRIC



P.C. MOUNTING

NOTE:

1. ALL DIMENSIONS IN MM [INCH]
2. GENERAL TOLERANCE: X.X=±0.4
X.XX=±0.25
3. TERMINAL NUMBERS FOR REF ONLY
- ▲ 4. PLATING MATERIAL: SILVER
5. RATING: 2A @250VAC
5A @120VAC OR 28VDC
6. LIFE EXPECTANCY: 40,000 make-and-break cycles at full load Min.
7. INSULATION RESISTANCE: 1,000 Mega-ohm min.
8. DIELECTRIC STRENGTH: 1,000 V RMS @sea level.
9. OPERATING TEMP.: -30°C to 85°C
10. ▲ DENOTES CRITICAL PARAMETER.
11. 2002/95/EC (ROHS) COMPLIANT
- ▲ 12. HARDWARE TO BE SHIPPED BULK
T100000 - HEXNUT - QTY 2
T100011 - LOCKWASHER - QTY 1
T100015 - LOCKRING - QTY 1



TITLE 100SP5T6B11M6QE H				
SCALE 2:1	DATE 3/17/2008	DR BLR	DWG ST115024	REV A

A	18011	RELEASE FOR PRODUCTION	3/17/08	BLR
REV	PCR NO	DESCRIPTION	DATE	BY

THE INFORMATION CONTAINED IN THIS DOCUMENT IS PROPRIETARY TO E-SWITCH AND IS NOT TO BE COPIED OR TRANSFERRED