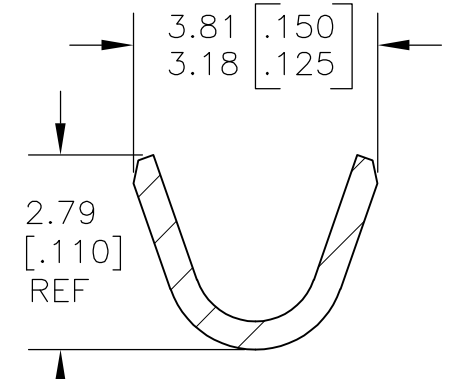
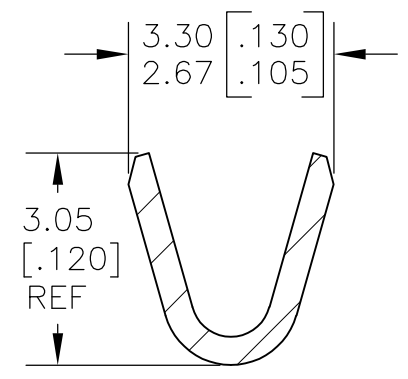
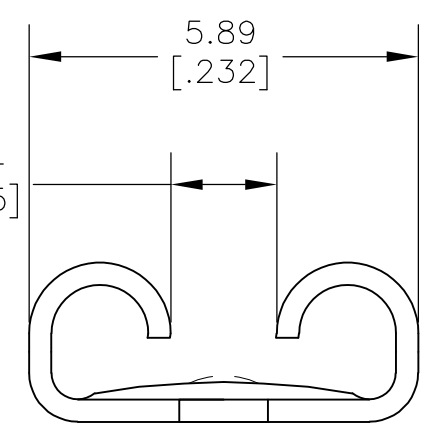
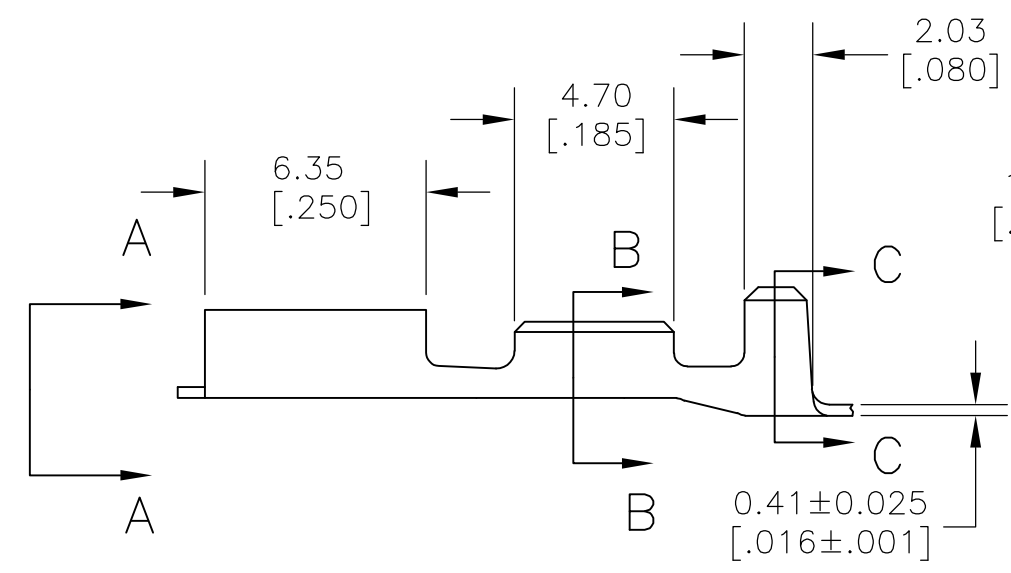
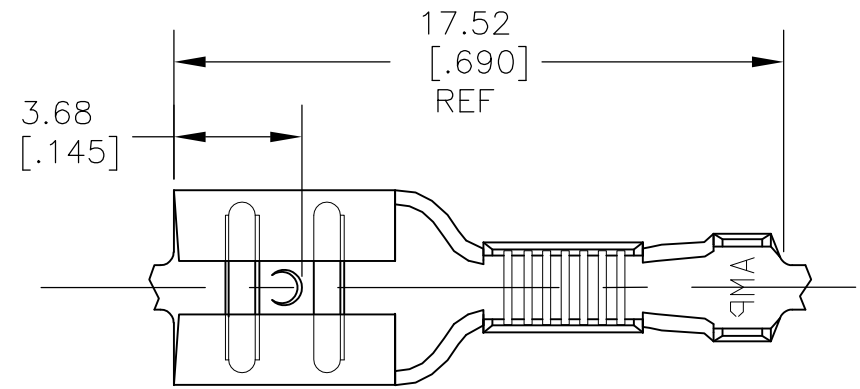


LOC	DIST	REVISIONS					
AF	50	P	LTR	DESCRIPTION	DATE	DWN	APVD
			A3	REVISED PER ECR-09-017795	19AUG09	HMR	PD



- CONTINUOUS STRIP ON REELS
- WIRE SIZE IS 20-16, MAGNET WIRE
- INSULATION RANGE IS 1.27-2.29 [.050-.090] DIA
- MATING TAB THK IS 0.81±0.025 [.032±.001]

	TIN PLATE	T3 PHOS BRONZE	1742678-2
OBSOLETE	TIN PLATE	4M BRASS	1742678-1
	FINISH	MATERIAL	PART NO

THIS DRAWING IS A CONTROLLED DOCUMENT.		DWN jr ruth 18FEB08	Tyco Electronics Corporation Harrisburg, Pa 17105-3608	
DIMENSIONS: mm [INCHES]		CHK P DESANTIS 18FEB08	NAME RECEPTACLE, FASTON, 4.75 [.187] SERIES, AMPLIVAR	
TOLERANCES UNLESS OTHERWISE SPECIFIED: 0 PLC ± - 1 PLC ± - 2 PLC ± 0.25 [.010] 3 PLC ± - 4 PLC ± - ANGLES ± 5°		APVD P DESANTIS 18FEB08	PRODUCT SPEC -	
MATERIAL SEE TABLE	FINISH SEE TABLE	APPLICATION SPEC -	WEIGHT -	RESTRICTED TO -
CUSTOMER DRAWING		SIZE A3	CAGE CODE 00779	DRAWING NO C-1742678
		SCALE 1:1	SHEET 1 OF 1	REV A3