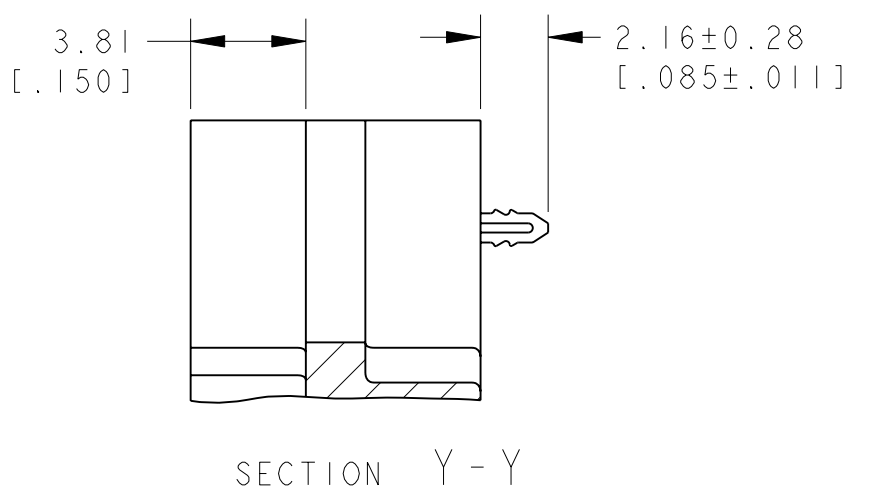
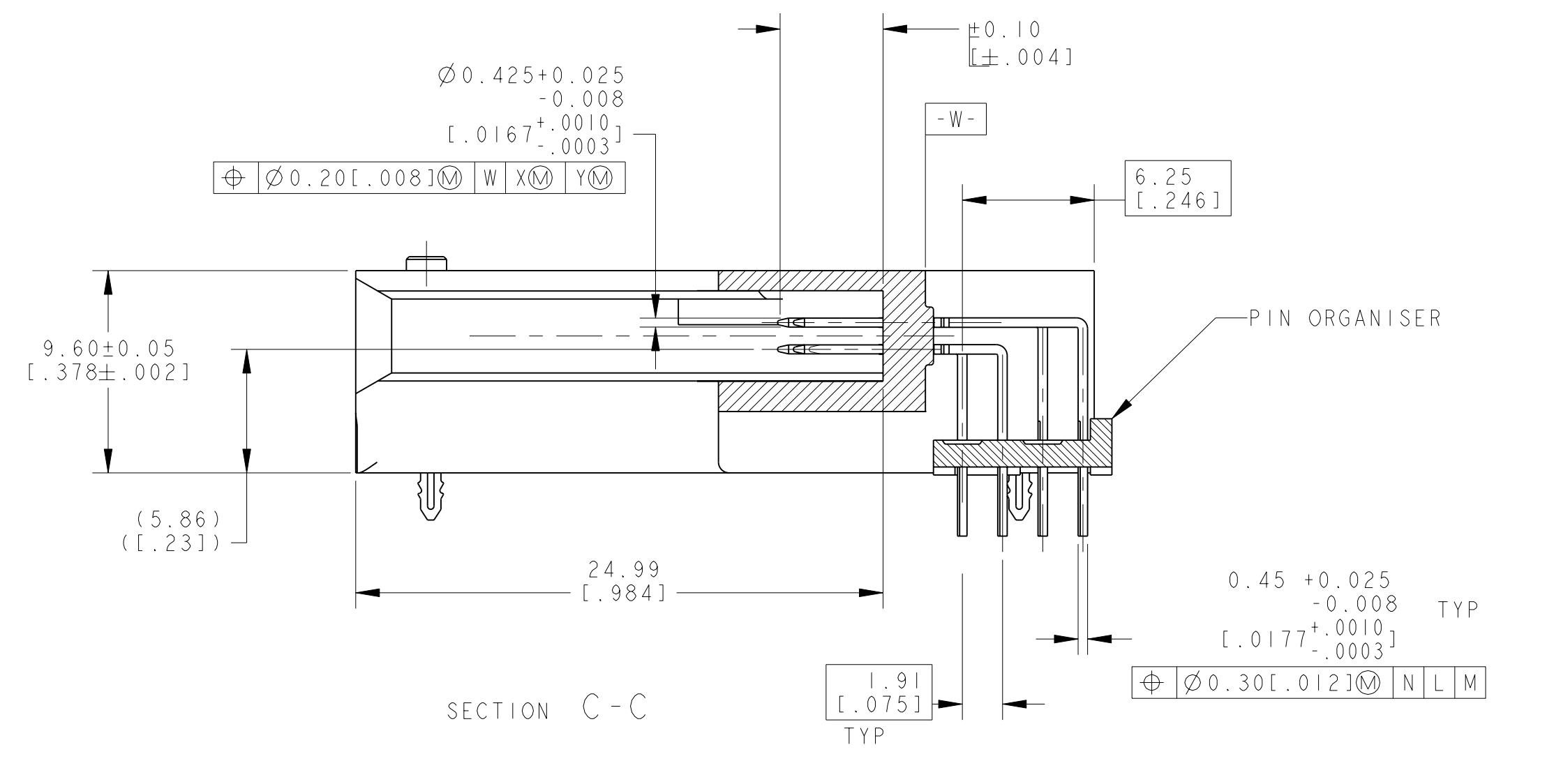
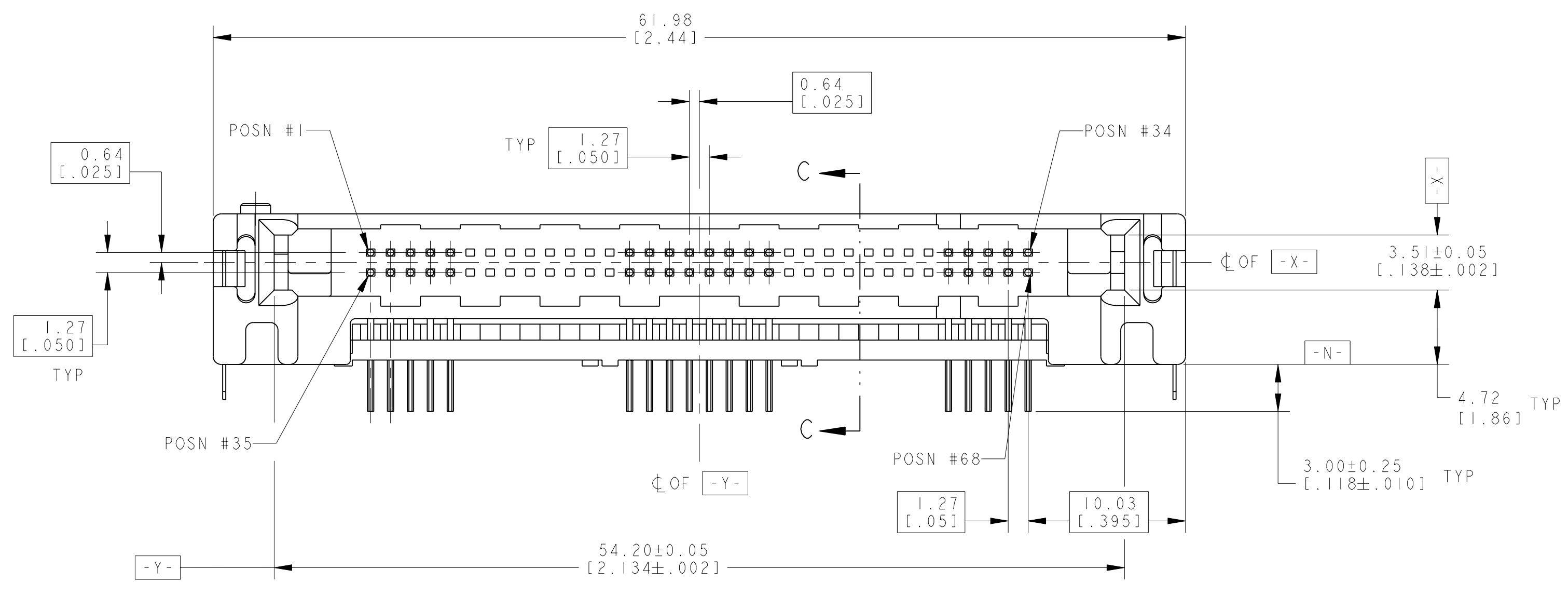
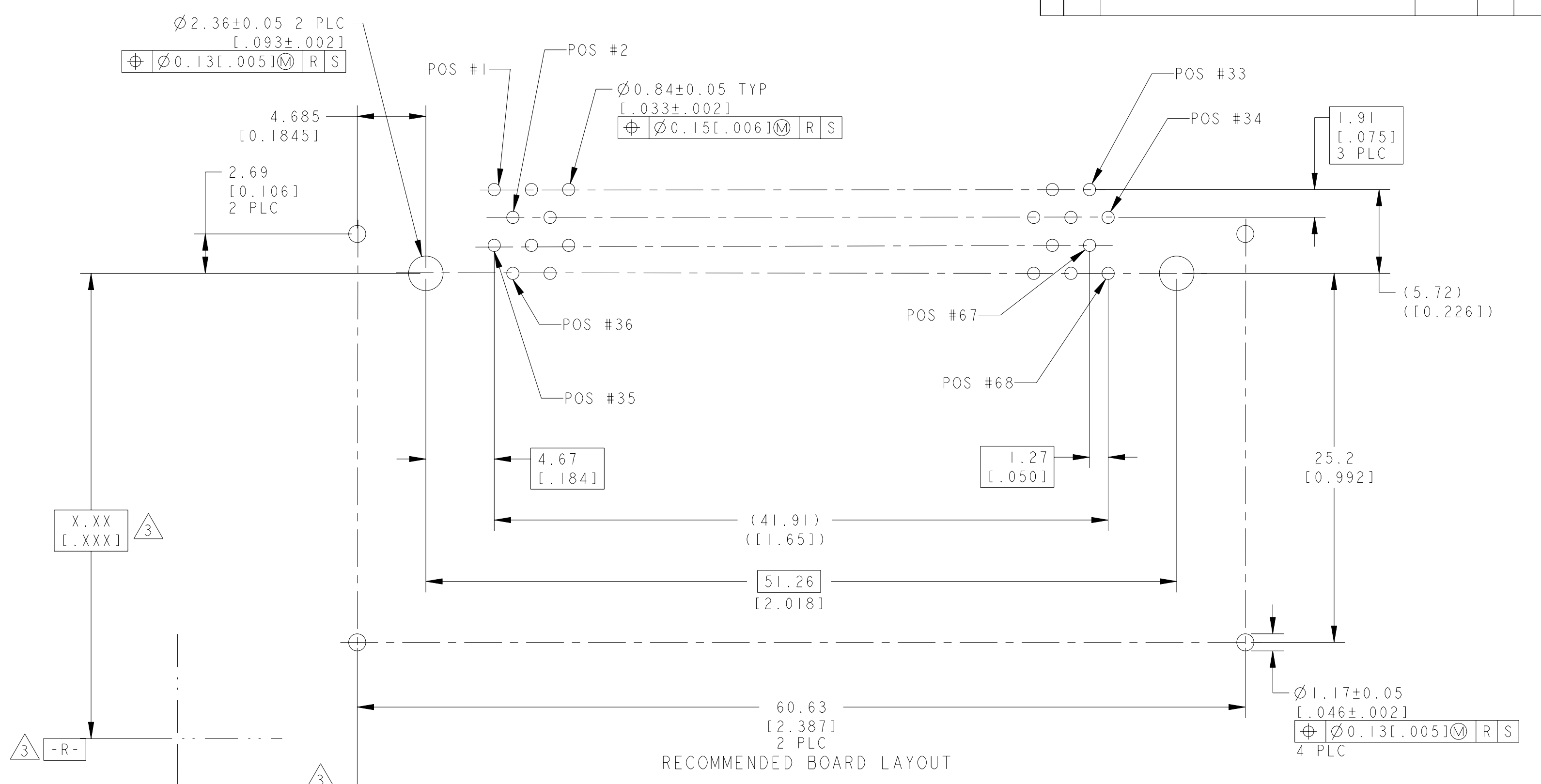
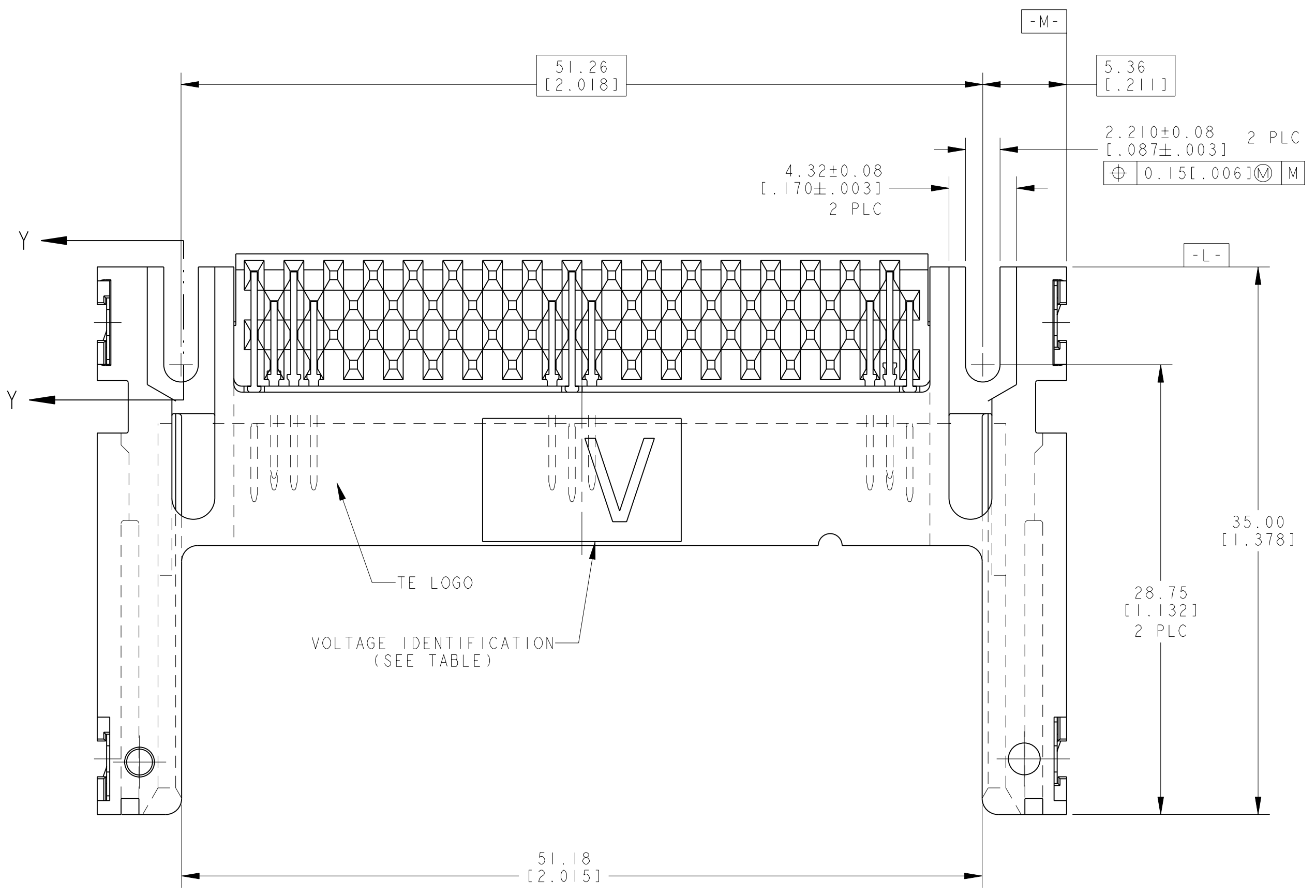


REVISONS		DATE	DWN	APVD
P	LTB	DESCRIPTION		
D		ECR-12-000167	05JAN2012	GG RRP



- NOTE
- △ PLATING: 0.03µ [0.007874µ] GOLD IN CONTACT AREA.
2µ [0.07874µ] TIN ON SOLDERTAILS
1.3µ [0.05118µ] - 4µ [0.1575µ] NICKEL ALL OVER
 - 2. CUSTOMER TO PROVIDE CARD GUIDANCE SYSTEM.
 - △ DATUMS AND BASIC DIMENSIONS ESTABLISHED BY CUSTOMER.
 - 4. CONNECTOR REQUIRES USE OF 2 - SIZE 2M SCREWS FOR FASTENING TO PRINTED CIRCUIT BOARD.
 - △ MATERIAL: HOUSING & ORGANISER : LCP, COLOR - BLACK
PIN : BRASS
HOLD-DOWN : PHOSPHOR BRONZE.
 - △ HOLD-DOWN : TIN PLATED
 - △ PLATING: 0.76µ [0.02992µ] GOLD IN CONTACT AREA.
2µ [0.07874µ] TIN ON SOLDERTAILS
1.3µ [0.05118µ] - 4µ [0.1575µ] NICKEL ALL OVER
 - △ PLATING: 0.08µ [0.00315µ] GOLD OVER 0.69µm PALLADIUM-NICKEL IN CONTACT AREA.
2µ [0.07874µ] TIN ON SOLDERTAILS
1.3µ [0.05118µ] - 4µ [0.1575µ] NICKEL ALL OVER

Symbol	LV	Pin Locations	Description	Dimension	Part Number
△8	LV	1, 17, 34, 35, 51, 68	ALL OTHER PINS	36.67	1888562-6
△7	LV	1, 17, 34, 35, 51, 68	ALL OTHER PINS	36.67	1888562-5
△8	5V	1, 17, 34, 35, 51, 68	ALL OTHER PINS	36.67	1888562-4
△7	5V	1, 17, 34, 35, 51, 68	ALL OTHER PINS	36.67	1888562-3
△1	LV	1, 17, 34, 35, 51, 68	ALL OTHER PINS	36.67	1888562-2
△1	5V	1, 17, 34, 35, 51, 68	ALL OTHER PINS	36.67	1888562-1
PLATING		0.197 [5.0]	VOLTAGE IDENTIFICATION	0.167 [4.25]	0.138 [3.5]
"L" (PIN LENGTH) AND LOCATION					

THIS DRAWING IS A CONTROLLED DOCUMENT. DWN 5 Dec 2006
 Cdr Vathsa 5 Dec 2006
 Premjith

STE TE Connectivity

NAME: PIN HEADER ASSY, 68 POS RAISED HT, TOP BRD MTG, THRU HOLE, WITH HOLD-DOWN, MEMORY CARD

SIZE: A100779 C=1888562

CUSTOMER DRAWING SCALE 4:1 SHEET 1 OF 1 REV D