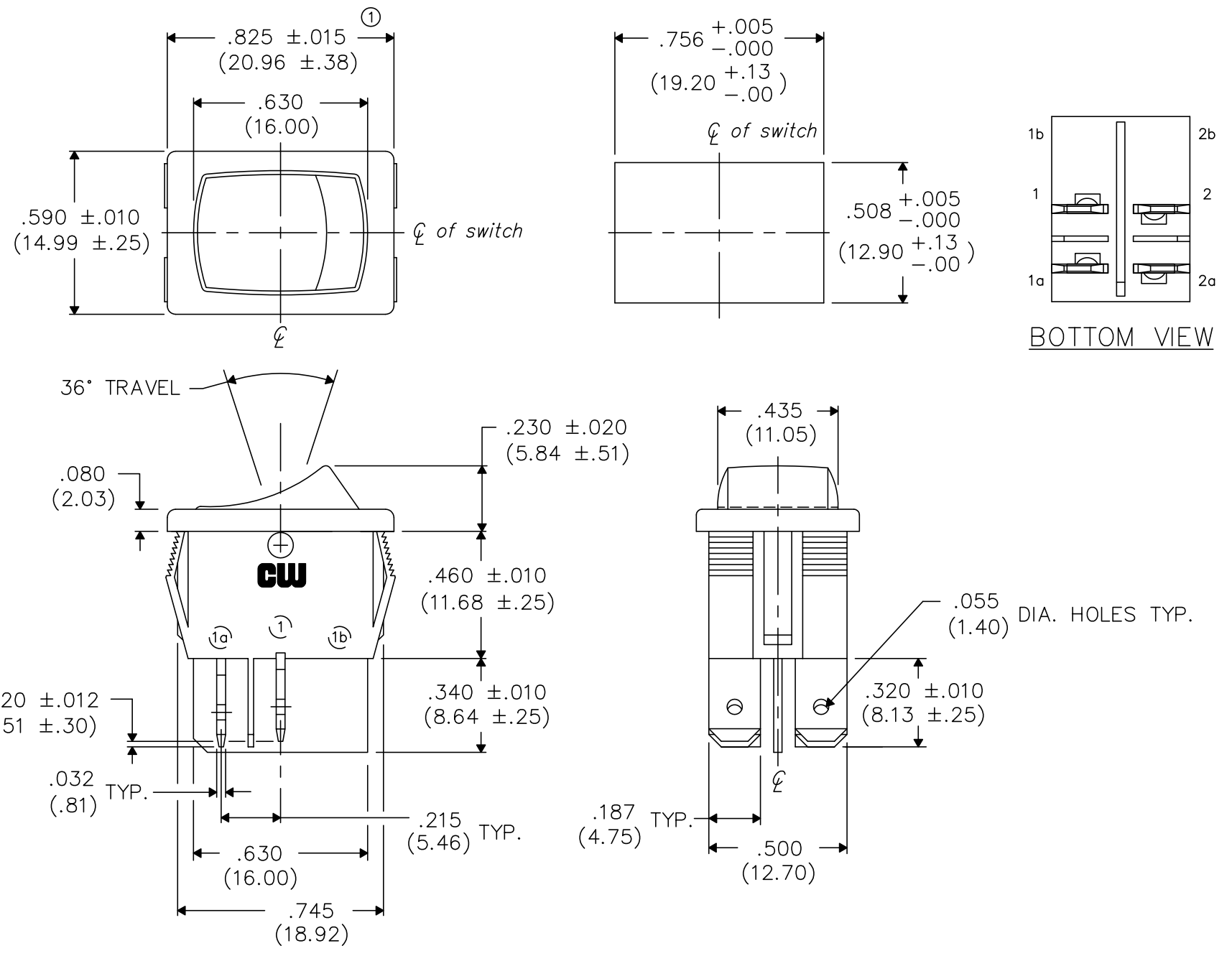


DIMENSIONS IN INCHES (MILLIMETERS)
DO NOT SCALE DRAWING

Dwg. No.
GRSV-4021-0004

PANEL PIERCING






MATERIAL:
ROCKER KNOB- Polyester - Red
HOUSING- Polyester - Black
TERMINAL/STATIONARY/MOVING CONTACT- Copper alloy, and/or copper alloy silver plated.
SPRING- music wire
PLUNGER- plated steel

PERFORMANCE STANDARDS-
Endurance- 100,000 cycles, no load, minimum
25,000 cycles at rated load minimum up to 16A 125 VAC
10,000 cycles at rated load minimum at 16A 250 VAC
Contact Resistance- less than .01 Ohm at 10 mA (initial)
Operating Temperature- 105° C maximum
High Voltage Dielectric Withstanding Voltage- 2,500 V, 60 Hz for 1 minute between mounting surface and circuit connections

HUMIDITY- Insulation resistance > 10³ MOhms after 100 hours at 95% R.H. and 50° C followed by 1 hour dry at ambient room conditions

ELECTRICAL RATING-
16A 125-250VAC , 10A 14V (T)
3/4 H.P. 125-250VAC , 3A 125V (L)
10(4) 250 ~ μ

LISTING AGENCIES-  ,  , 

FORM-B3	REVISIONS	0	1	2	3	4	5	6	7	8	9	10					
		RELEASED. DGW 8-24-2000 Aug. 28, 2000	.825±.015 WAS .825±.010. DGW 10-24-2003 GG Oct. 24, 2003														
<p>CW INDUSTRIES Southampton, Pa. 18966</p> <p>TOLERANCES UNLESS OTHERWISE SPECIFIED</p> <table border="1"> <tr> <td>2 Place Decimal ±.010</td> <td>METRIC</td> </tr> <tr> <td>3 Place Decimal ±.005</td> <td>1 Place Dec. ±.25mm</td> </tr> <tr> <td>Angles ±1°</td> <td>2 Place Dec. ±.13mm</td> </tr> </table> <p>Made for: CW IND.</p> <p>Drawn by: DGW 8-24-2000</p> <p>Checked by: GG 8-28-00</p> <p>Approval: BF 8-28-00</p>												2 Place Decimal ±.010	METRIC	3 Place Decimal ±.005	1 Place Dec. ±.25mm	Angles ±1°	2 Place Dec. ±.13mm
2 Place Decimal ±.010	METRIC																
3 Place Decimal ±.005	1 Place Dec. ±.25mm																
Angles ±1°	2 Place Dec. ±.13mm																
										<p>Title: ROCKER SWIDGET ASSEMBLY (POP IN), W/BARR.S D.P.-S.T.</p> <p>Division: SWITCH</p> <p>Dwg. No. GRSV-4021-0004</p>							