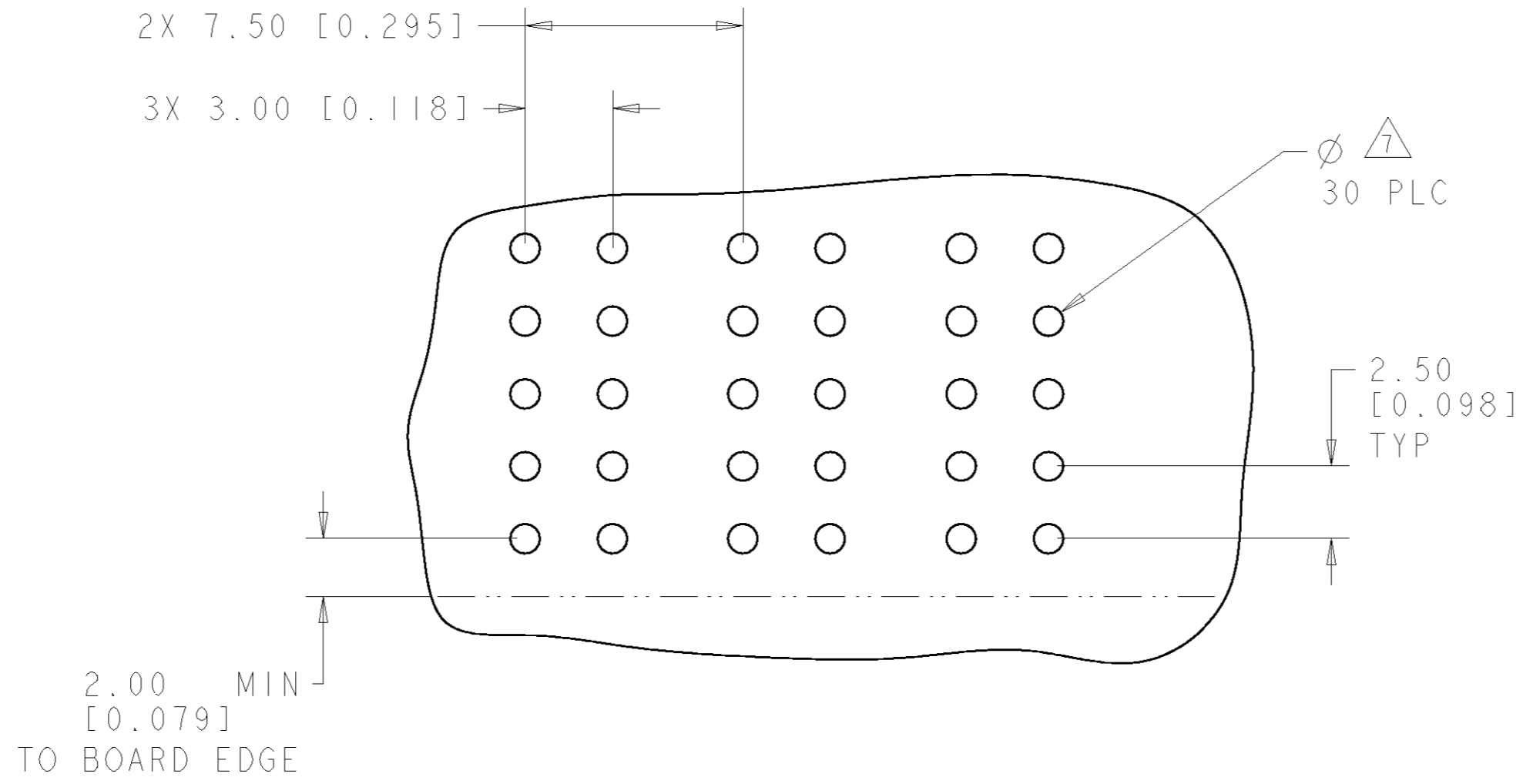


THIS DRAWING IS UNPUBLISHED. RELEASED FOR PUBLICATION 20
 © COPYRIGHT 20 BY TYCO ELECTRONICS CORPORATION. ALL RIGHTS RESERVED.

LOC	DIST	REVISIONS					
		P	LTR	DESCRIPTION	DATE	DWN	APVD
GP	00	-		SEE SHEET 1	-	-	-



PRINTED CIRCUIT LAYOUT
 COMPONENT SIDE
 SCALE 5:1

CONNECTOR	CATALOG MODULE #	QTY	SIZE NO.	CONTACT QTY	MATING PIN	MAX. CURRENT (PER CONTACT)	CONTACT SPACING	VOLTAGE RATING
SOCKET	FPI12	3	8	3	1.25 X 7.00 [.049 X .276]	35 amps	7.50 [0.2953]	250

ELCON FLATPAQ

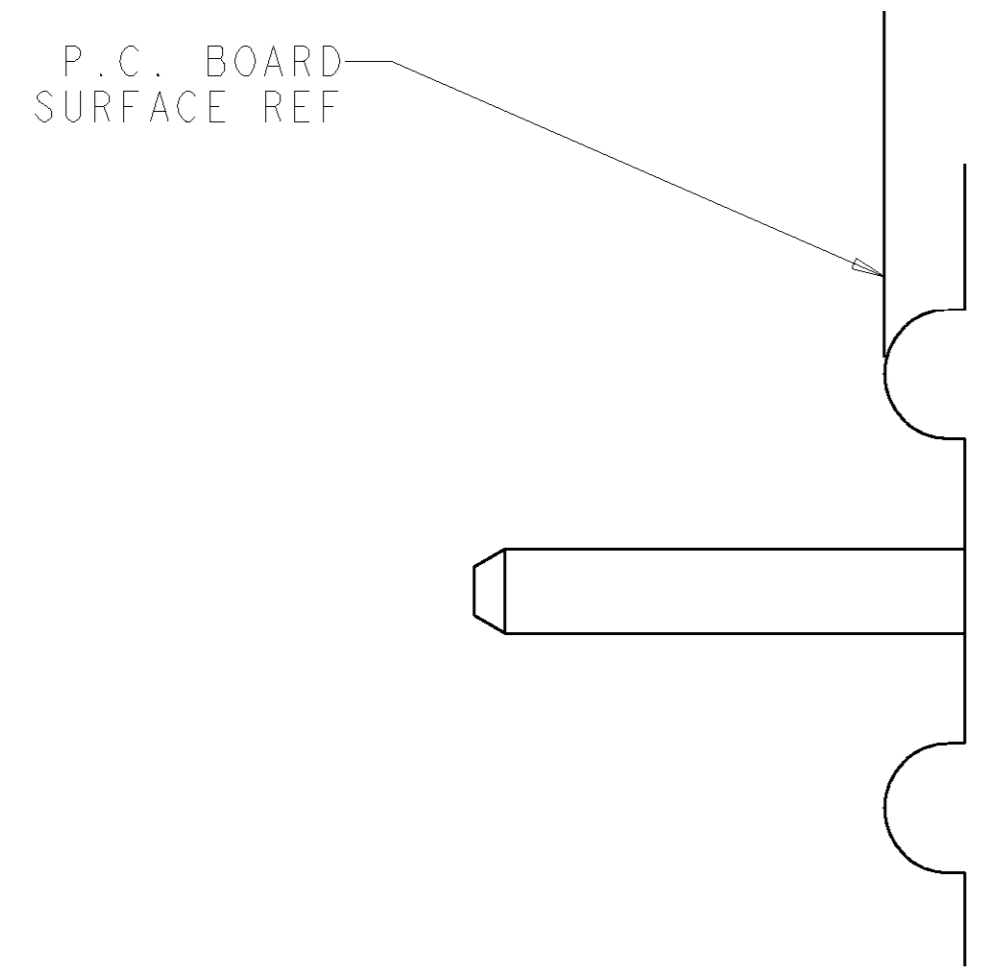
THIS DRAWING IS A CONTROLLED DOCUMENT FOR TYCO ELECTRONICS CORPORATION. IT IS SUBJECT TO CHANGE AND THE CONTROLLING ENGINEERING ORGANIZATION SHOULD BE CONTACTED FOR THE LATEST REVISION.

DWN	R. GRZYBOWSKI	29NOV06	 Tyco Electronics Harrisburg, PA 17105-3608	
CHK	P. DAMATO	29NOV06		
APVD	S. FLICKINGER	29NOV06		
PRODUCT SPEC	-			
APPLICATION SPEC	-		NAME	STRAIGHT SOCKET CONNECTOR SOLDER TAILS FLATPAQ
WEIGHT	-		SIZE	A200779
CUSTOMER DRAWING	-		CAGE CODE	C-6651665
			DRAWING NO.	RESTRICTED TO
			SCALE	4:1
			SHEET	2 OF 3
			REV	A

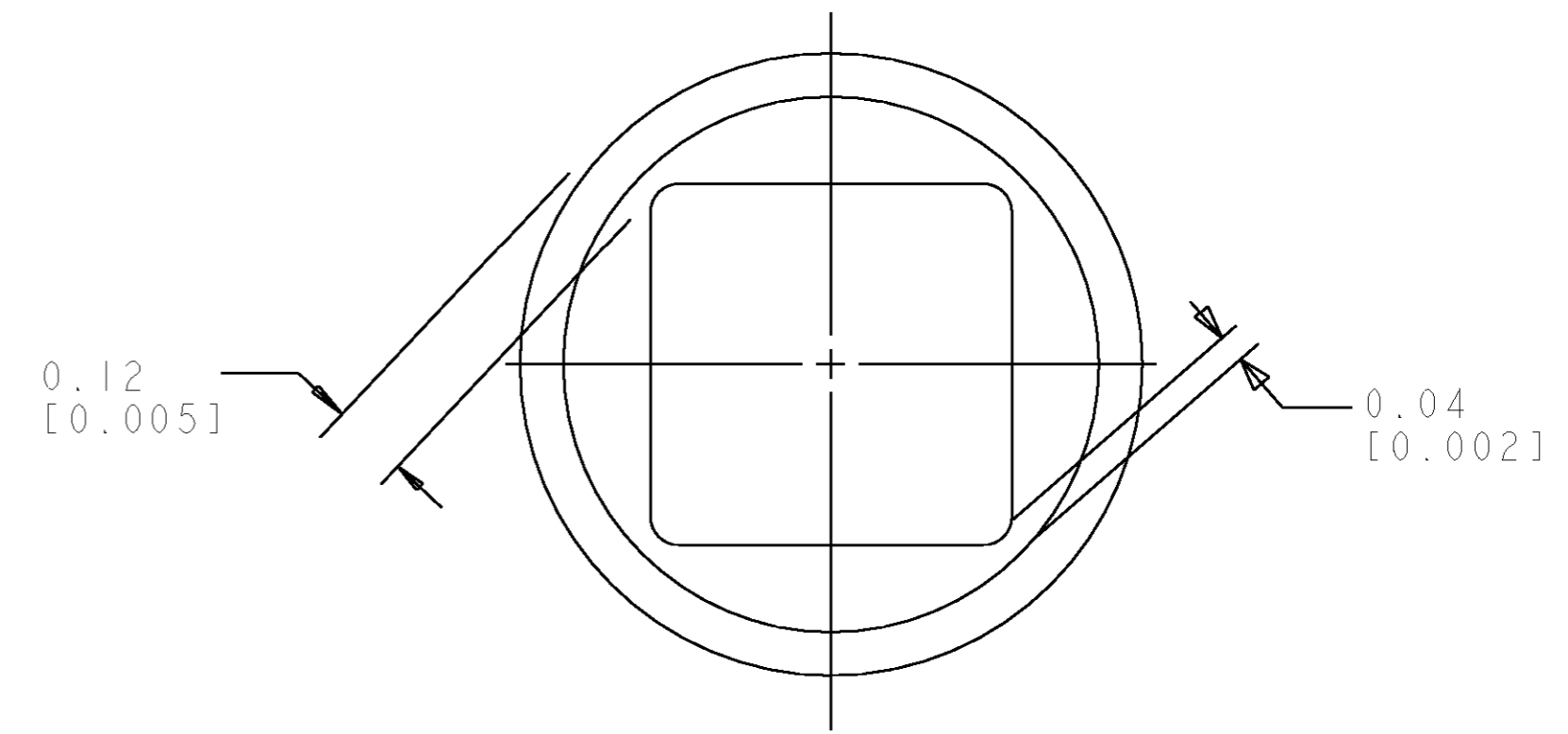
THIS DRAWING IS UNPUBLISHED. RELEASED FOR PUBLICATION 20

© COPYRIGHT 20 BY TYCO ELECTRONICS CORPORATION. ALL RIGHTS RESERVED.

LOC	DIST	REVISIONS			
P	LTR	DESCRIPTION	DATE	DWN	APVD
GP	00	-	SEE SHEET 1	-	-



6. SOLDER TAIL DETAIL
SCALE 10 : 1



△ SOLDER TERMINATION AREA
 SCALE 40:1
 RECOMMENDED PRINTED CIRCUIT HOLE
 SOLDER HOLE
 FINISHED HOLE: $\varnothing 1.02$ [.040] $\pm .08$ [.003]
 DRILLED HOLE: $\varnothing 1.15$ [.0453] $\pm .013$ [.0005]
 COPPER PLATE: .025 [.0010] MIN
 TIN PLATE: .008 [.0003] MIN. (PER SURFACE)

ELCON FLATPAQ

<small>THIS DRAWING IS A CONTROLLED DOCUMENT FOR TYCO ELECTRONICS CORPORATION IT IS SUBJECT TO CHANGE AND THE CONTROLLING ENGINEERING ORGANIZATION SHOULD BE CONTACTED FOR THE LATEST REVISION.</small>		DWN R. GRZYBOWSKI 29NOV06 CHK P. DAMATO 29NOV06 APVD S. FLICKINGER 29NOV06	tyco Tyco Electronics Electronics Harrisburg, PA 17105-3608
DIMENSIONS: mm [INCHES]	TOLERANCES UNLESS OTHERWISE SPECIFIED: 0 PLC $\pm .5$ 1 PLC $\pm .5$ 2 PLC $\pm .25$ 3 PLC $\pm .5$ 4 PLC $\pm .5$ ANGLES $\pm .5$ FINISH	NAME STRAIGHT SOCKET CONNECTOR SOLDER TAILS FLATPAQ	SIZE CAGE CODE DRAWING NO RESTRICTED TO A200779 C-6651665 -
MATERIAL		PRODUCT SPEC - APPLICATION SPEC - WEIGHT -	SCALE 4 : 1 SHEET 3 OF 3 REV A CUSTOMER DRAWING