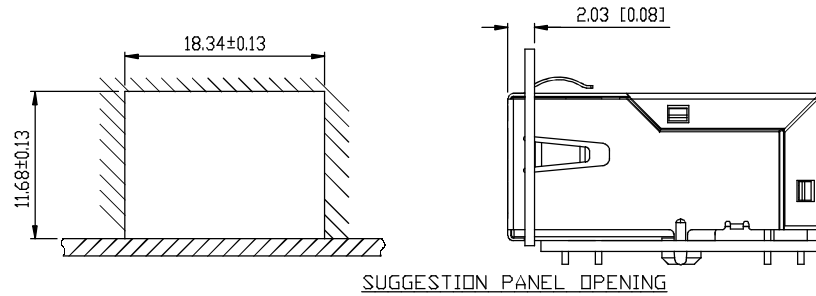
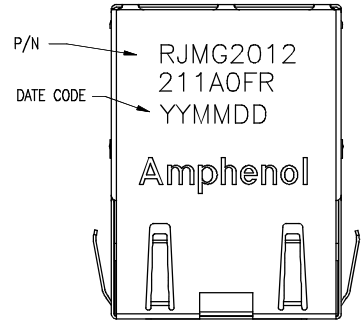


This document is the property of Amphenol Corporation and is delivered on the express condition that it is not to be disclosed, reproduced or used, in whole or in part, for manufacture or sale by anyone other than Amphenol Corporation without its prior consent, and that no right is granted to disclose or to use any information in this document.

The marking on this product doesn't contain environmental hazardous materials per Material Specification SS-00259 for Sony GP compliant or per directive 2011/65/EU for RoHS compliant.

CUSTOMER DRAWING

REVISIONS				
SYM	ECN No.	DESCRIPTION	DATE	APPROVED
A		Release for New production	10/12/2010	YuWen Chu
B	ECN-11-024	Change the LED design to directly LED	06/21/2011	Lawrence Chan
CX1		Change Dimension from 12.20 to 12.18	09/25/2013	Roger Tsai



MATERIALS:

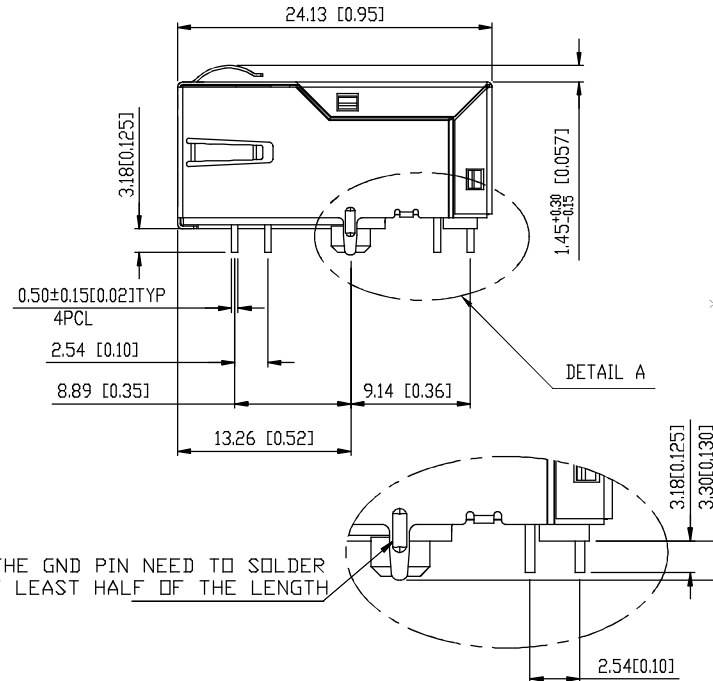
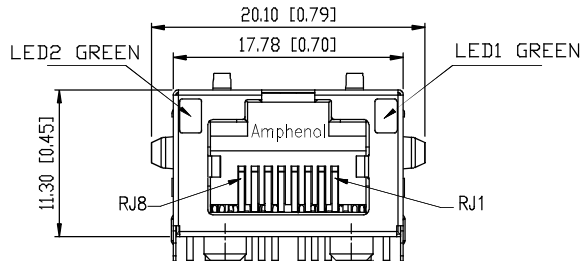
HOUSING: THERMOPLASTIC; COLOR: BLACK
 FLAMMABILITY RATING UL 94V-0
 CONTACTS: PHOSPHOR BRONZE
 50 MICRO-INCH GOLD PLATE AT PLUG INTERFACE
 OUTPUT TAILS: PURE TIN-COATED COPPER WIRE, DIA 0.5MM
 [x] TAILS PINS OF FGs SOLDER DIPPED (Sn/Cu:99.3/0.7)
 SHIELD: SUS304R-1/2H, T=0.2mm
 ALL GROUND PIN: PRE-SOLDERING

MECHANICAL FEATURES:

SOLDERABILITY: MIL-STD-202, METHOD 208.
 MATING/UNMATING FORCE:
 RJ PORT MATING/UNMATING 2.1kg MAX
 RETENTION FORCE FOR RJ PORT: 5kg FOR 1 MINUTE
 MEET FCC PART 68.500 REQUIREMENTS.

Environmental

OPERATING TEMPERATURE: -40°C TO +85°C.
 STORAGE TEMPERATURE: -40°C TO +100°C.
 WAVE SOLDERING TEMPERATURE: 260°C FOR 10 SECONDS
 IR REFLOW TEMPERATURE: 260°C 10 SECONDS
 BEFORE IR PROCESS NEED WITH HEAT-PROTECTION COVER



THE GND PIN NEED TO SOLDER AT LEAST HALF OF THE LENGTH

IT IS RECOMMENDED THAT SHADED AREA OF CUSTOMER PC BOARD BE CLEAR OF ANY VIA HOLE COMPONENT AND CIRCUIT TRANCE

RECOMMENDED PCB LAYOUT
 SEE FROM COMPONENT SIDE
 GENERAL TOLERANCE: ±0.05



TOLERANCE	APPROVALS	DATE	TITLE		UNIT		SIZE		PART No.	
X. ±0.35	DRAWN Jophy Li	09/25/2013	RJMG201X SERIES Single Port 1000 Base-T SERIES Ultra Low Profile Tab Up		mm		A3		RJMG2012211A0FR	
X.X ±0.25	CHECKED Vivian Wen	09/25/2013			SCALE NA		SHEET 1 OF 2		RJMG2012211A0FR	
X.XX ±0.15	APPROVED Roger Tsai	09/25/2013			PROJECT CODE GT363		REV. CX1			
ANGULAR ±1°	DWG TYPE CUST DWG									
UNLESS OTHERWISE SPECIFIED										

This document is the property of Amphenol Corporation and is delivered on the express condition that is not to be disclosed, reproduced or used, in whole or in part, for manufacture or sale by anyone other than Amphenol Corporation without its prior consent, and that no right is granted to disclose or to use any information in this document.

The marking on this product doesn't contain environmental hazardous materials per Material Specification SS-00259 for Sony GP compliant or per directive 2011/65/EU for RoHS compliant.

CUSTOMER DRAWING

REVISIONS				
SYM	ECN No.	DESCRIPTION	DATE	APPROVED
A		Release for New production	10/12/2010	YuWen Chu
B	ECN-11-024	Change the LED design to directly LED	06/21/2011	Lawrence Chan
CX1		Change Dimension from 12.20 to 12.18	09/25/2013	Roger Tsai

Compliant with IEEE 802.3ab Standard

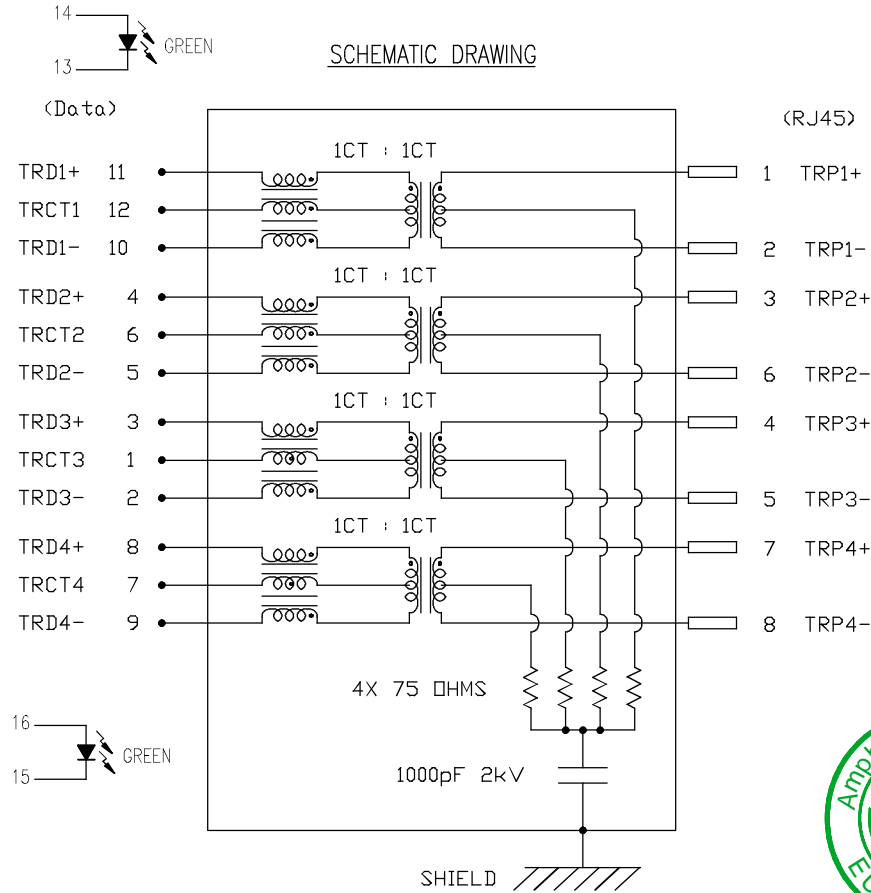
CONNECTOR PERFORMANCE ELECTRICAL SPECIFICATION(@25° C)

PARAMETER	LIMITS (MAX. OR MIN.)	FREQUENCY RANGE/ TEST CONDITIONS
INSERTION LOSS	-0.8dB MAX. -1.2dB MAX.	0.1-100 MHz 100-125 MHz
RETURN LOSS	-18dB MIN. -12+20 log(f/80MHz)dB MIN.	0.5-40 MHz 40-100 MHz
CM-CM REJECTION	-30dB MIN.	100 KHz-100 MHz
CM-DM REJECTION	-35dB MIN.	100 KHz-100 MHz
CROSSTALK ISOLATION	-30+20 log(f/100MHz)dB MIN.	100 KHz-100 MHz
HIPOT (ISOLATION)	2250kVDC 1mA	60S
OCL	350uH MIN.	100KHz 100mV 8mA
TURN RATIO	1:1±2%	

LED PERFORMANCE

PARAMETER	SINGLE COLOUR		UNITS
	GREEN	YELLOW	
FORWARD CURRENT IF MAX	30	30	mA
REVERSE CURRENT IR MAX	100	100	uA
REVERSE VOLTAGE VR MAX	-5	-5	V
T OPERATURE	-40~+85	-40~+85	°C
T SOLDERING	260+/-5	260+/-5	°C
POWER DISS. Pd	80	80	mW
PEAK WAVELENGTH	568	585	nM
FORWARD VOLTAGE TYP	2.2	2.2	V (@IF=20mA)
FORWARD VOLTAGE MAX	2.5	2.5	V (@IF=20mA)

LED 1 POLARITY			LED 2 POLARITY		
PIN 13	PIN 14	COLOR	PIN 15	PIN 16	COLOR
-	+	GREEN	-	+	GREEN



TOLERANCE	APPROVALS	DATE	TITLE		PART No.	
X. X.X ±0.35 X.XX ±0.25 X.XXX ±0.15	DRAWN Jophy Li	09/25/2013	RJMG201X SERIES Single Port 1000 Base-T SERIES Ultra Low Profile Tab Up		Amphenol® Amphenol Corporation Amphenol Taiwan Corporation	
ANGULAR ±1°	CHECKED Vivian Wen	09/25/2013	UNIT mm	SIZE A3	PART No. RJMG2012211A0FR	
UNLESS OTHERWISE SPECIFIED	APPROVED Roger Tsai	09/25/2013	SCALE NA	SHEET 2 OF 2	DWG No. RJMG2012211A0FR	REV. CX1
	DWG TYPE CUST DWG	PROJECT CODE GT363				