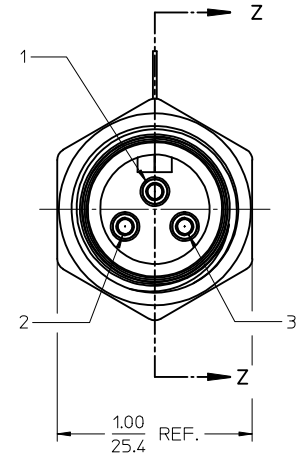
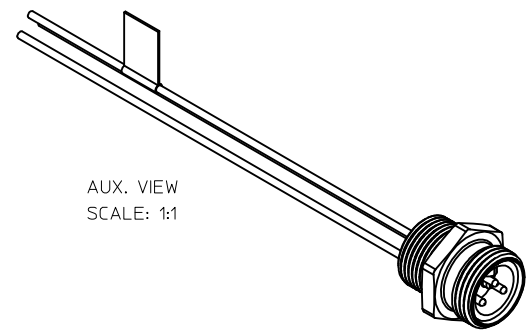
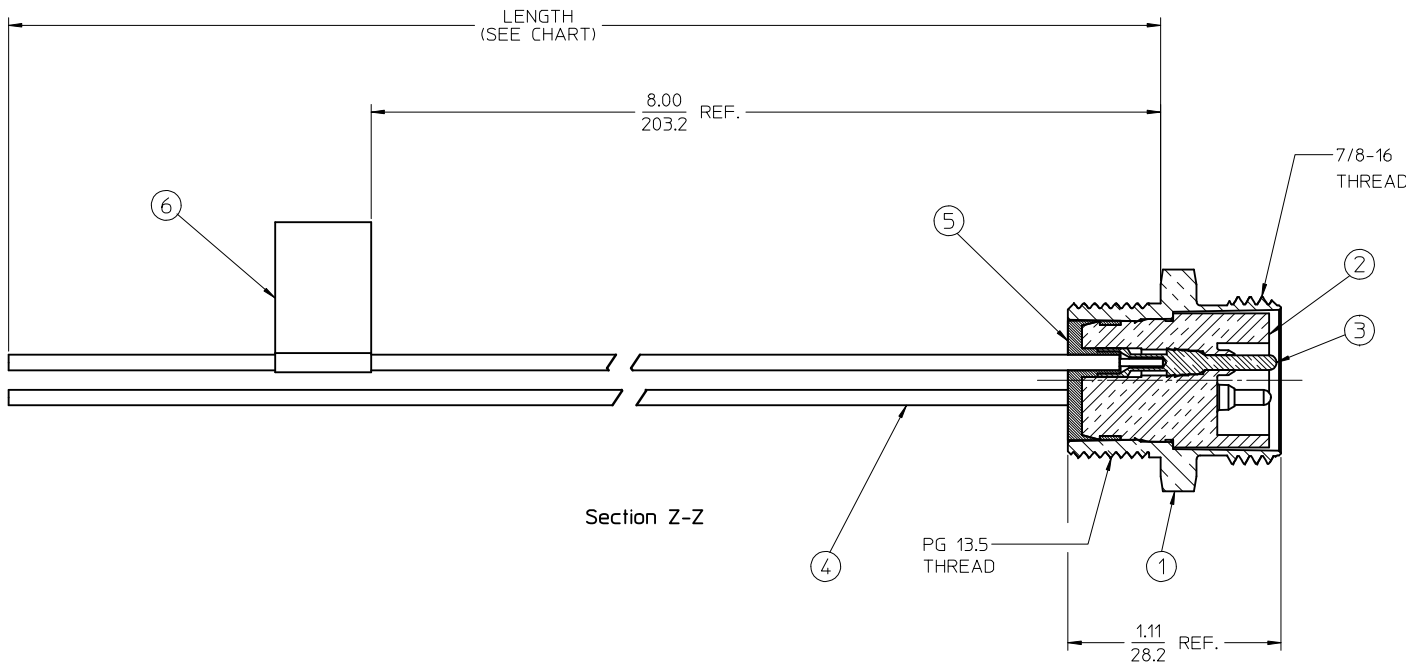


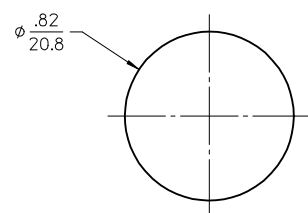
MATERIAL NO.	ENGINEERING NO.	LENGTH
1300130268	1R3D06A25A120	12.0 +.75 -0 (304.8 +19.1 -0)



GREEN/YELLOW	1
BROWN	2
BLUE	3

WIRING DIAGRAM

- NOTES:  
 1. MATERIAL: SEE TABLE  
 2. FINISHES: SEE TABLE  
 3. MATES WITH: 3C MINI CHANGE CABLE  
 4. ELECTRICAL SPECIFICATIONS:  
 VOLTAGE RATING: 300V AC/DC  
 CURRENT RATING: 7.0 AMPS  
 5. ASSEMBLY IS RoHS COMPLIANT



KNOCKOUT HOLE

6	1	LABEL	PLASTIC FILM	BLACK/YELLOW
5	1	POTTING MATERIAL	EPOXY	
4	3	WIRE, 18 AWG	PVC INSULATION	SEE WIRE DIAGRAM
3	3	CONTACT PIN	Cu ALLOY	GOLD PLATED
2	1	INSERT	PVC	YELLOW
1	1	RECEPTACLE SHELL	ALUMINUM	CLEAR ANODIZED
ITEM	QTY.	DESCRIPTION	MATERIAL	FINISH

RELEASED  
 EC NO: MNA2010-0125  
 DRWINRSTONE 2009/08/26  
 CHKD:B.WOODMAN 2009/08/26  
 APPR:JFMURPHY 2009/08/27

QUALITY SYMBOLS  
 ▽=0  
 ▽=0

GENERAL TOLERANCES (UNLESS SPECIFIED)  

	mm	INCH
4 PLACES	± .005	± .0005
3 PLACES	± .005	± .0005
2 PLACES	± .01	± .001
1 PLACE	± 0.3	± .01

 ANGULAR ±1/2°  
 DRAFT WHERE APPLICABLE  
 MUST REMAIN  
 WITHIN DIMENSIONS

DIMENSION STYLE  
 IN/MM  
 DRAWN BY DATE  
 R.STONE 2009/08/25  
 CHECKED BY DATE  
 B.WOODMAN 2009/08/27  
 APPROVED BY DATE  
 JFMURPHY 2009/08/26  
 MATERIAL NO.  
 (SEE CHART)  
 SIZE C

SCALE 2:1  
 DESIGN UNITS INCH  
 THIRD ANGLE PROJECTION  
 TITLE  
 MINI-CHANGE, RECEPTACLE  
 3P, MALE, 18 AWG  
 PG13.5 THREAD  
 MOLEX MOLEX INCORPORATED  
 DOCUMENT NO. SD-130013-083  
 SHEET NO. 1 OF 1  
 THIS DRAWING CONTAINS INFORMATION THAT IS PROPRIETARY TO MOLEX INCORPORATED AND SHOULD NOT BE USED WITHOUT WRITTEN PERMISSION