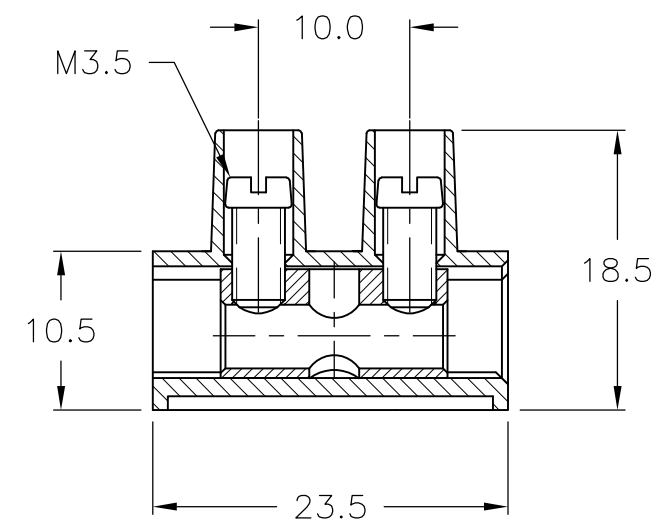
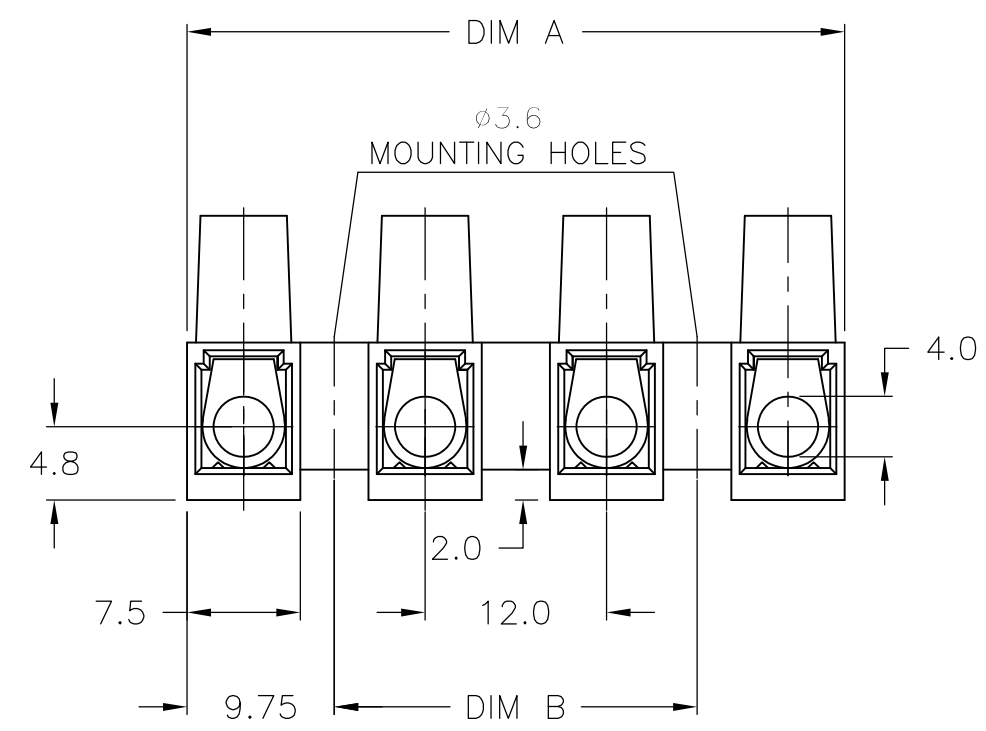


THIS DRAWING IS UNPUBLISHED. RELEASED FOR PUBLICATION
 © COPYRIGHT - By - ALL RIGHTS RESERVED.

LOC	DIST	REVISIONS					
FT	0	P	LTR	DESCRIPTION	DATE	DWN	APVD
		P		REVISED PER ECO-11-005027	11MAR11	RK	HMR

MATERIAL:
 HOUSING: POLYIMIDE 6 UL94V-2.
 COLOR: NATURAL(OFF WHITE).
 TUBULAR CONTACT: BRASS TIN PLATED.
 SCREW: STEEL, M3.5, ZINC PLATED W/ NON-
 HEXAVALENT CHROMATE (CHROME III).
 CURRENT RATING: 50A.
 OPERATING VOLTAGE: 250V.
 WIRE RANGE: 8-22 AWG.
 CONTINUOUS WORKING TEMPERATURE 100°C MAX.



120.0	139.5	12	TSB100012	1-1776303-2
108.0	127.5	11	TSB100011	1-1776303-1
96.0	115.5	10	TSB100010	1-1776303-0
84.0	103.5	9	TSB100009	1776303-9
72.0	91.5	8	TSB100008	1776303-8
60.0	79.5	7	TSB100007	1776303-7
48.0	67.5	6	TSB100006	1776303-6
36.0	55.5	5	TSB100005	1776303-5
24.0	43.5	4	TSB100004	1776303-4
12.0	31.5	3	TSB100003	1776303-3
-	19.5	2	TSB100002	1776303-2
-	7.5	1	TSB100001	1776303-1
DIM B	DIM A	NO. OF POSN	T & B PART NUMBER	PART NUMBER

THIS DRAWING IS A CONTROLLED DOCUMENT.		DWN	S SCHLEGEL	3/21/05	TE Connectivity NAME EUROPA TSB1000 TUNNEL CONNECTION		
DIMENSIONS: mm		CHK	C RICHARD	3/21/05			
TOLERANCES UNLESS OTHERWISE SPECIFIED:		APVD	C RICHARD	3/21/05			
0 PLC ± - 1 PLC ± 0.3 2 PLC ± 0.25 3 PLC ± - 4 PLC ± - ANGLES ± 2°		PRODUCT SPEC		NAME			
MATERIAL		APPLICATION SPEC		SIZE	CAGE CODE	DRAWING NO	RESTRICTED TO
FINISH		WEIGHT		A3 00779		C-1776303	-
CUSTOMER DRAWING				SCALE	NTS	SHEET	1 OF 1
				REV	P		