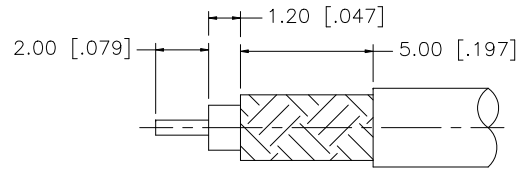
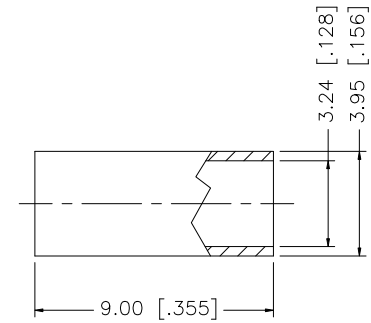
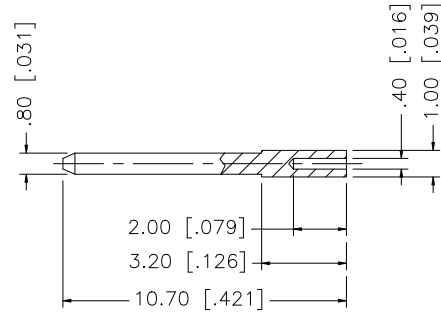
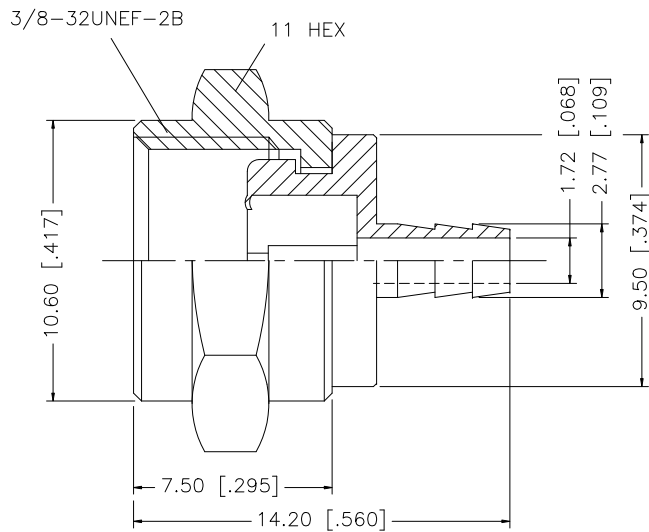


REV.	DATE	ECR NO.	DESCRIPTION
A	07/21/98	-	REDIMENSION AND ADD NOTES
B	05/19/03	-	UPDATE DRAWING FORMAT
C	02/10/04	-	MODIFY PLATING SPECS
D	09/30/05	-	REVISE ALL PLATING TO BRT. TIN
E	11/14/05	-	UPDATE COMPONENT DIMENSIONS
F	12/09/08	100063	REVISE PLATING TO NICKEL



RECOMMENDED  
CABLE STRIPPING DIM'S



NOTE:  
1. CRIMPED FERRULE HEX CRIMP SIZE .128" [3.25]

				UNLESS OTHERWISE SPECIFIED DIMENSIONS ARE IN MILLIMETERS. DIMENSIONS IN [ ] ARE IN INCHES AND FOR CUSTOMER REFERENCE ONLY.	APPROVALS	DATE	<h1 style="text-align: center;">Amphenol Connex</h1>										
8					DRAWN	GRS					12/09/08	<b>PART DESCRIPTION</b> <b>F CRIMP PLUG</b> <b>(RG-179/U CABLE - 75ohm)</b>					
7					CHECKED			<b>PART NO.</b> <b>222113</b>									
6					ISSUED							<b>DWG. NO.</b> 222113.DWG <table border="1" style="float: right; margin-left: 20px;"> <tr> <td>REV.</td> <td>F</td> <td>SIZE</td> <td>A</td> <td>SCALE</td> <td>NA</td> </tr> </table>				REV.	F
REV.	F	SIZE	A	SCALE	NA												
5	FERRULE	COPPER	NICKEL	1	SHEET	1 OF 1											
4	RING	BRASS	NICKEL	1	CAD FILE		C:/222/222113.DWG										
3	CONTACT PIN	BRASS	GOLD	1													
2	DIELECTRIC	PTFE	NATURAL	1													
1	BODY	BRASS	NICKEL	1													
DESCRIPTION				MATERIAL	FINISH	QTY	DO NOT SCALE DRAWING										

UNLESS OTHERWISE SPECIFIED DIMENSIONS ARE IN MILLIMETERS. DIMENSIONS IN [ ] ARE IN INCHES AND FOR CUSTOMER REFERENCE ONLY.

UNLESS OTHERWISE SPECIFIED TOLERANCES FOR MILLIMETERS ARE:  
 0.5 - 8mm ± 0.20mm  
 8 - 30mm ± 0.40mm  
 30 - 120mm ± 0.50mm

UNLESS OTHERWISE SPECIFIED TOLERANCES FOR INCHES ARE:  
 .020 - .315 ± 0.007"  
 .315 - 1.180 ± 0.015"  
 1.180 - 4.724 ± 0.020"