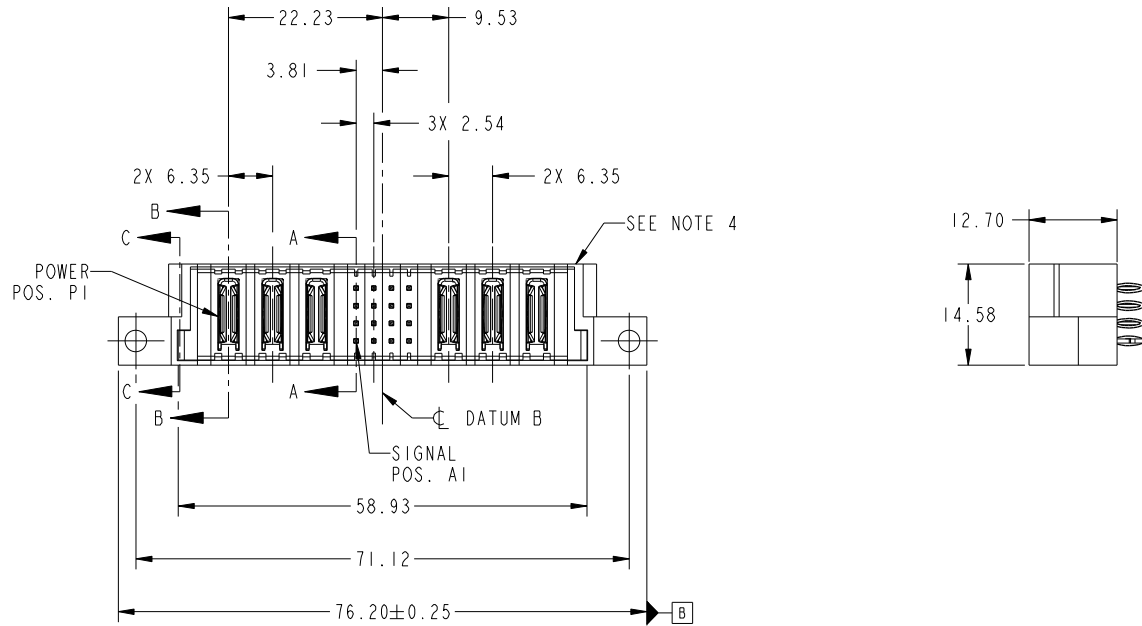


Tous droits strictement réservés. Reproduction ou communication a des tiers interdite sous quelque forme que ce soit sans autorisation écrite du propriétaire. Propriete de c FCI. Droits de reproduction FCI.

All rights strictly reserved. Reproduction or issue to third parties in any form whatever is not permitted without written authority from the proprietor. Property of FCI. Copyright FCI.



PRODUCT NO. 51963-035 NOTE ③	ROWS D C B A	POWER			SIGNAL				POWER			E2
		E1	P1	P2	P3	1	2	3	4	P4	P5	



CODE	DIM "M" MATING LENGTH	CONTACT TYPE
PC	[N/A]	POWER
G	[6.86]	SIGNAL
HA	[N/A]	HOLD-DOWN

mat'l code				SEE NOTE 2		tolerances unless otherwise specified		CUSTOMER		FCI	
ltr	ecn no.	dr	date	linear	0.X ±0.5	projection		COPY		www.fciconnect.com	
A	DG10-0314	JW	08/30/10	angles	0.XX ±0.25			title		3P + 16S + 3P VERTICAL PF HEADER	
				dr	0.XXX ±0.10			product family		PwrBlade	code
				enr	0° ±2°	scale		size	dwg no	213	sheet
				chr	WARREN DU 10/21/08	1:1		A	51963-035	1 of 4	
				appd	WARREN DU 10/21/08						
					PM ZHENG 10/21/08						
					JOSEPH HSIA 10/21/08						
sheet index	revision sheet	A	A	A	A						
		1	2	3	4						

cage code 22526

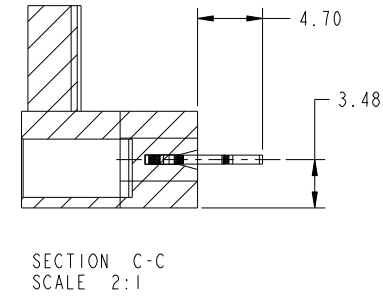
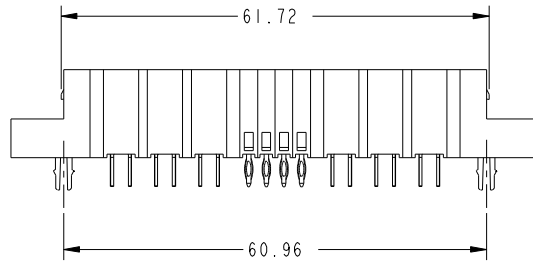
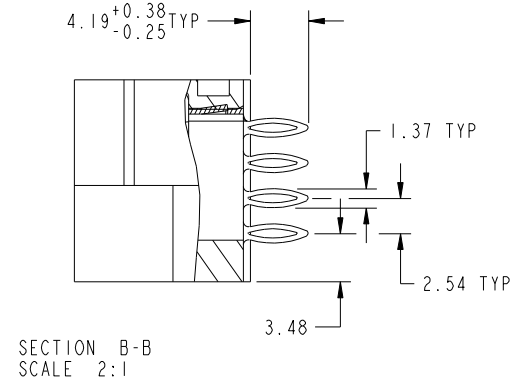
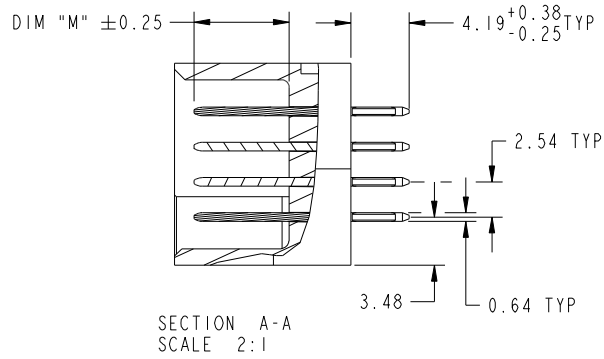
Pro/E

Tous droits strictement reserves. Reproduction ou communication a des tiers interdite sous quelque forme que ce soit sans autorisation écrite du propriétaire. Propriete de c FCI. Droits de reproduction FCI.



All rights strictly reserved. Reproduction or issue to third parties in any form whatever is not permitted without written authority from the proprietor. Property of FCI. Copyright FCI.

PRODUCT NUMBER  
51963-035--  
NOTE ③



mat'l code		SEE NOTE 2		tolerances unless otherwise specified		CUSTOMER		 www.fciconnect.com	
ltr	ecn no.	dr	date	linear	0.X ±0.5	COPY		title	
A					0.XX ±0.25	projection		3P + 16S + 3P VERTICAL PF HEADER	
				angles	0.XXX ±0.10			product family	
				dr	0° ±2°			PwrBlade	
				enr	WARREN DU 10/21/08	scale		code	
				chr	WARREN DU 10/21/08	1:1		213	
				appd	PM ZHENG 10/21/08	A		sheet	
					JOSEPH HSIA 10/21/08			2 of 4	
sheet index	revision sheet								

cage code 22526

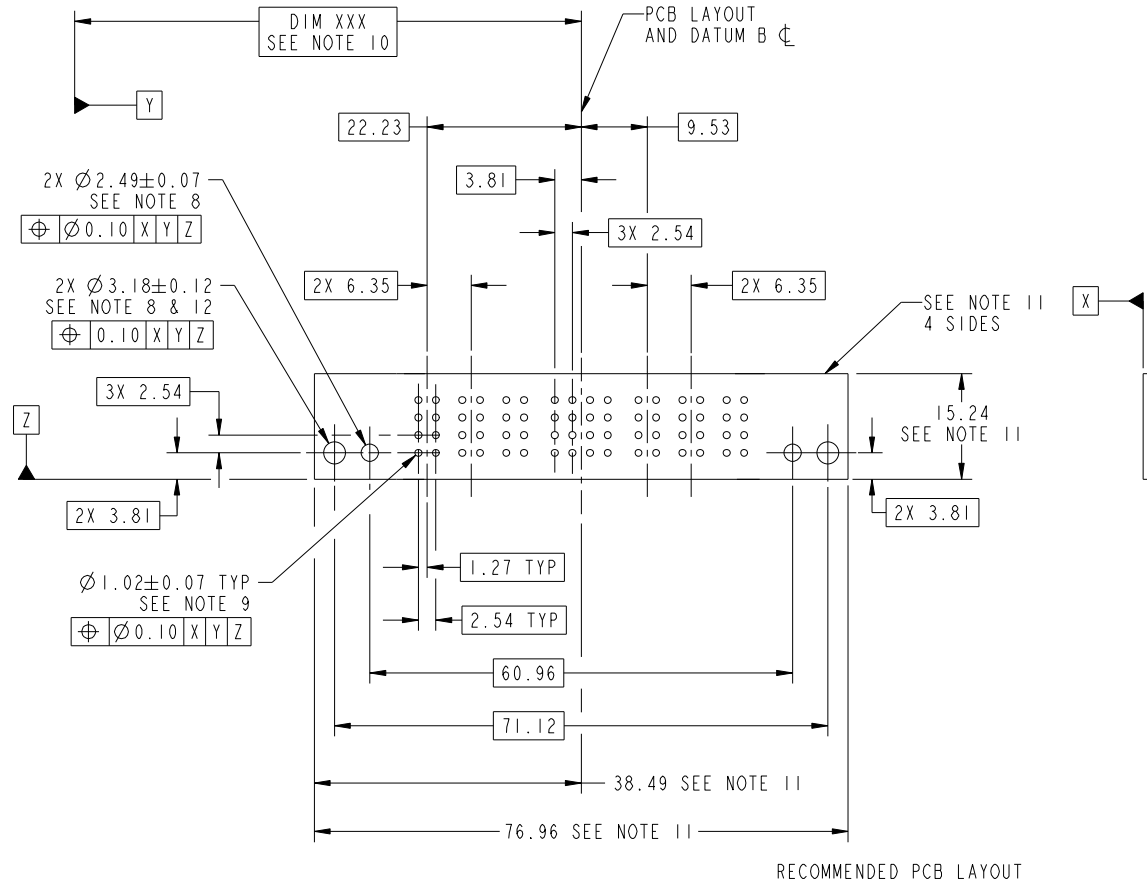
Pro/E

Tous droits strictement reserves. Reproduction ou communication a des tiers interdite sous quelque forme que ce soit sans autorisation écrite du propriétaire. Propriete de c FCI. Droits de reproduction FCI.



All rights strictly reserved. Reproduction or issue to third parties in any form whatever is not permitted without written authority from the proprietor. Property of FCI. Copyright FCI.

PRODUCT NUMBER  
51963-035--  
NOTE ③



mat'l code		SEE NOTE 2		tolerances unless otherwise specified		CUSTOMER		 www.fciconnect.com	
ltr	ecr no.	dr	date	linear	0.X ± 0.5	COPY		title	
A					0.XX ± 0.25	projection		3P + 16S + 3P VERTICAL PF HEADER	
				angles	0.XXX ± 0.10			product family	
				dr	0° ± 2°	MIM		PwrBlade	
				enrg	WARREN DU 10/21/08	scale		code	
				chr	WARREN DU 10/21/08	1:1		213	
				appd	PM ZHENG 10/21/08	A		sheet	
					JOSEPH HSIA 10/21/08			3 of 4	
sheet index		revision sheet						size	
								51963-035	

cage code 22526

Pro/E

Tous droits strictement reserves. Reproduction ou communication a des tiers interdite sous quelque forme que ce soit sans autorisation écrite du propriétaire. Propriete de c FCI. Droits de reproduction FCI.



All rights strictly reserved. Reproduction or issue to third parties in any form whatever is not permitted without written authority from the proprietor. Property of FCI. Copyright FCI.

PRODUCT NUMBER  
51963-035--  
NOTE ③

NOTES:

1. DIMENSIONS AND TOLERANCES ARE IN ACCORDANCE WITH ASME Y14.5M, 1994 UNLESS OTHERWISE SPECIFIED.

CONNECTOR NOTES:

- ② HOUSING MATERIAL: UL 94 V-0 GLASS FILLED HIGH-TEMP THERMOPLASTIC  
POWER CONTACT MATERIAL: COPPER ALLOY  
SIGNAL PIN MATERIAL: COPPER ALLOY
- ③ SEE ITEM 3 & 4 IN PRINT 10064183 FOR PLATING SPEC OF 51963-035 AND 51963-035LF RESPECTIVELY.
- ④ MANUFACTURER'S NAME, P/N, AND DATE CODE TO APPEAR ON THIS SURFACE.
- 5. PRODUCT SPECIFICATION GS-12-149.  
APPLICATION SPECIFICATION BUS-20-067.
- 6. PACKAGED IN TRAYS.

PCB NOTES:

- 7. ALL HOLE DIAMETERS ARE FINISHED HOLE SIZE.
- ⑧ MOUNTING HOLES, WHERE APPLICABLE, ARE UNPLATED.
- ⑨  $\varnothing 1.151 \pm 0.025$  DRILLED HOLES PLATED WITH 0.008 MIN SnPb OVER 0.03 TO 0.08 Cu PLATING TO ACHIEVE  $\varnothing 1.02 \pm 0.07$  HOLE.
- ⑩ "DIM XXX" TO BE DETERMINED BY THE CUSTOMER.
- ⑪ CONNECTOR KEEP-OUT ZONE.
- 12. CUSTOMER SUPPLIES (2) #4-40 UNC SCREWS, HARDWARE TO MOUNT HEADER TO PC BOARD.
- 13. FOR PRESS FIT APPLICATION USE FCI CAM TOOL 430169-XXX.

mat'l code		SEE NOTE 2		tolerances unless otherwise specified		CUSTOMER		FCI		www.fciconnect.com					
ltr	ecr no.	dr	date	linear	0.X ± 0.5	COPY		 title 3P + 16S + 3P VERTICAL PF HEADER							
A					0.XX ± 0.25	 MIM						product family		PwrBlade	code
				angles	0.XXX ± 0.10							size		dwg no	213
				dr	WARREN DU 10/21/08	scale		A		51963-035	sheet				
				enr	WARREN DU 10/21/08	1:1				4 of 4					
				chr	PM ZHENG 10/21/08										
				appd	JOSEPH HSIA 10/21/08										
sheet index	revision sheet														

cage code 22526

Pro/E