

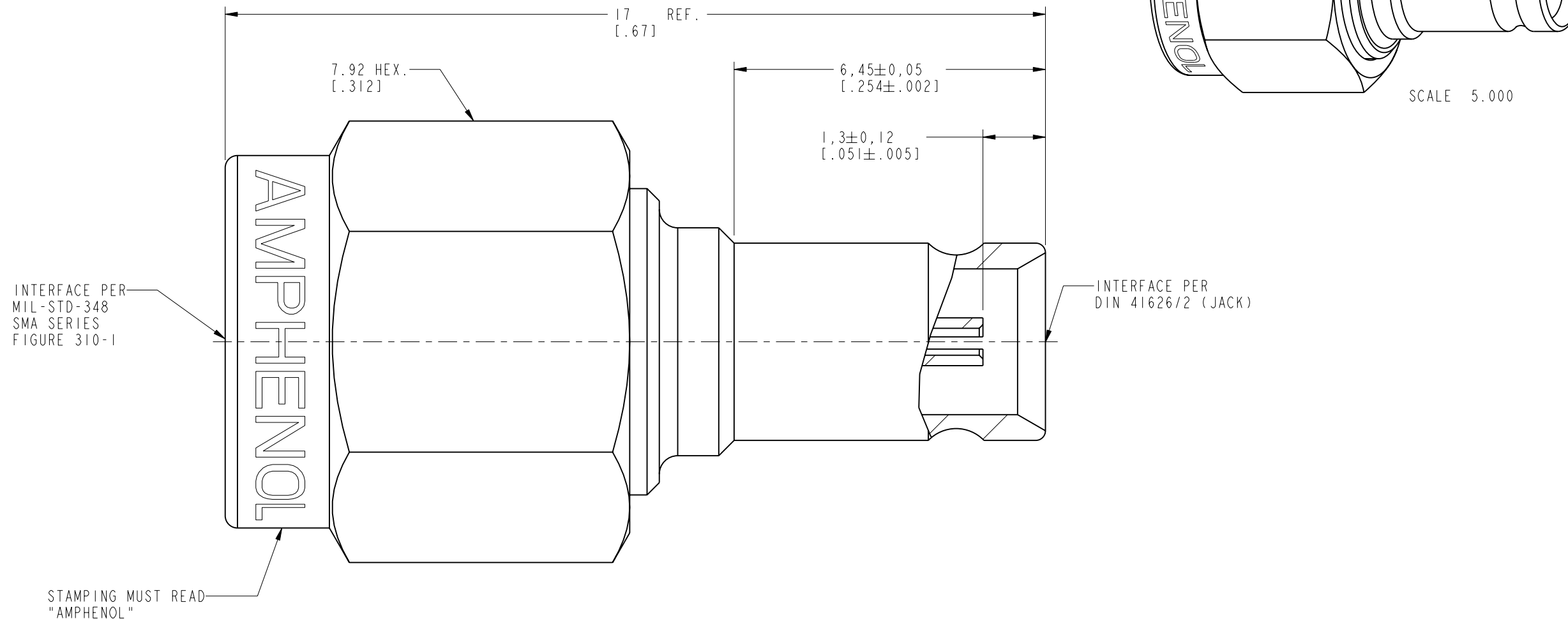
NOTES:

1. MATERIALS AND FINISHES(PLATING THICKNESS IN MICRO-INCHES):
 BODY - STAINLESS STEEL, GOLD PLATING
 CONTACT - BERYLLIUM COPPER, GOLD PLATING
 INSULATOR - PTFE, NATURAL
 COUPLING NUT - STAINLESS STEEL, PASSIVATED
2. ELECTRICAL:
 A. IMPEDANCE: 50 OHM
 B. VSWR(RETURN LOSS), MAXIMUM
 DC - 4GHz: 1.065 (-30 dB)
3. MECHANICAL:
 A. DURABILITY: 500 CYCLES MIN.
 B. TEMPERATURE RANGE: -40°C to +85°C
4. PACKAGE CONNECTOR IN ANTI-STATIC BAG 999-226
 MARK BAG OR TAG: "AMPHENOL, 901-10005, DATE CODE
 AND WORK ORDER NUMBER".

THIRD ANGLE PROJ.

REVISIONS

REV	DESCRIPTION	DATE	ECO	APPR
A	OFFICIAL RELEASE TO MFG	2/11/99	42828	PB/
B	IN NOTE 2 1.065 WAS 1.15	2/26/04	44816	GSA
F	SYNCH WITH 901-10005-0001\RD-DM12051801R3	4-Jun-12	48810	SH



CUSTOMER OUTLINE DRAWING
 ALL OTHER SHEETS ARE FOR INTERNAL USE ONLY

UNLESS OTHERWISE SPECIFIED, DIMENSIONS ARE IN METRIC AND TOLERANCES ARE: <0.5mm ±0.05mm 0.5 - 6mm ±0.1mm 6 - 30mm ±0.2mm 30 - 120mm ±0.3mm ANGLES ±1°	MATERIAL	DRAWN R. MAO	DATE 14-May-12	TITLE SMA PLUG TO 1.0/2.3 JACK ADAPTER	Amphenol RF www.amphenolrf.com
	NOTICE - These drawings, specifications, or other data (1) are, and remain the property of Amphenol corp. (2) must be returned upon request; and (3) are confidential and not to be disclosed to any person other than those to whom they are given by Amphenol Corp. the furnishing of these drawings, specifications, or other data by Amphenol Corp., or to any other person to anyone for any purpose is not to be regarded by implication or otherwise in any manner licensing, granting rights to permitting such holder or any other person to manufacture, use or sell any product, process or design, patented or otherwise, that may in any way be related to or disclosed by said drawings, specifications, or other data.	REFERENCE GNE# ASSY_SMAM_1023F (611X-3784) EAR 102-967033 1 615X-1503-100 FINISH	ENGINEER J. WILKINSON		
		APPROVED S. HSIEH	DATE 14-May-12	DWG SIZE B	REV F