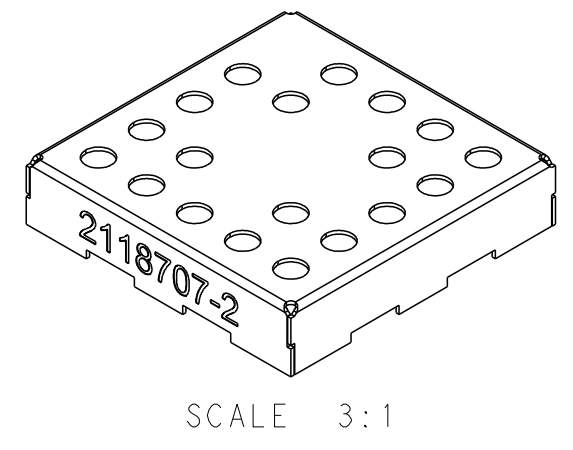
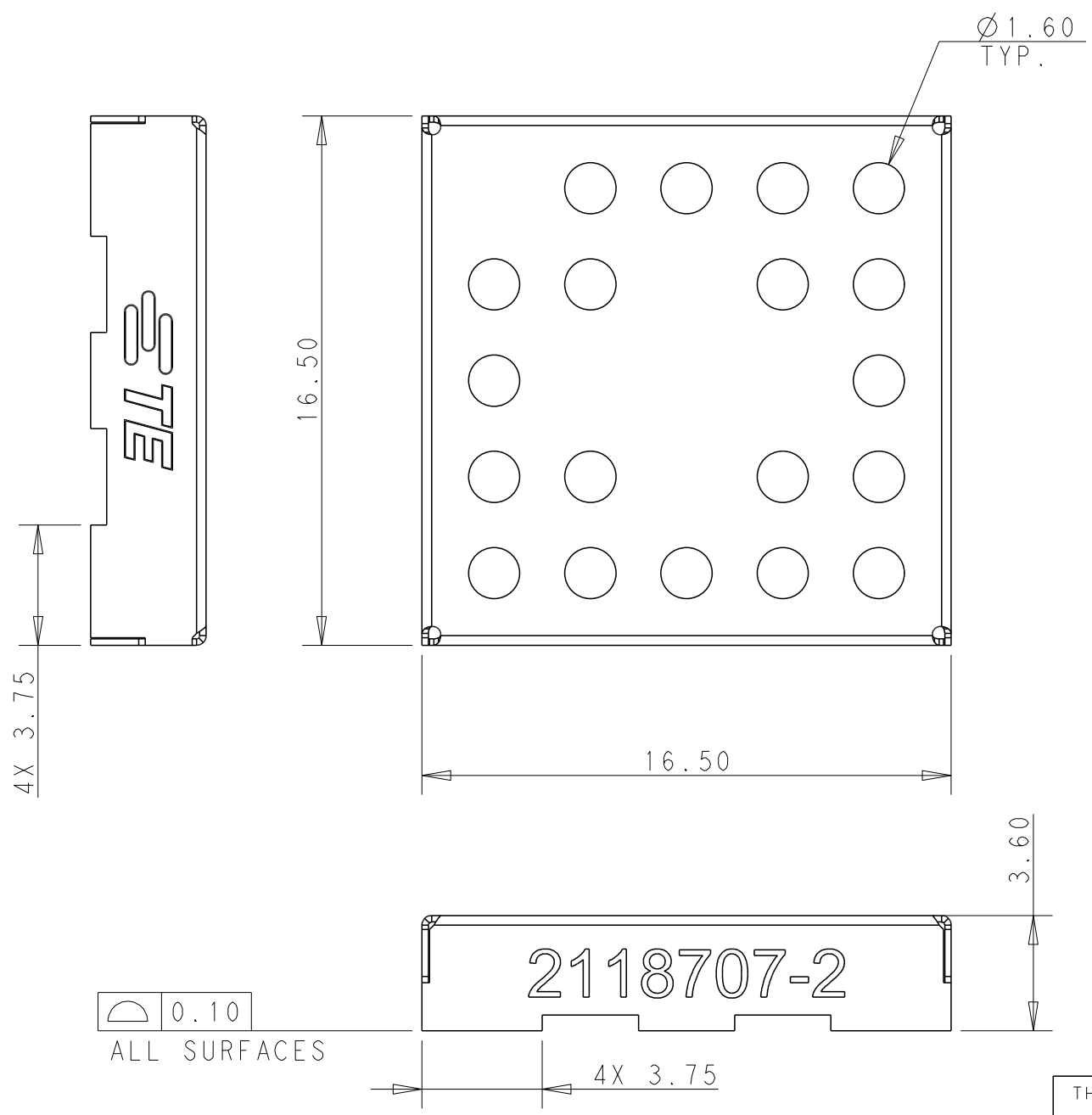


THIS DRAWING IS UNPUBLISHED. RELEASED FOR PUBLICATION 20
 © COPYRIGHT 20 BY - ALL RIGHTS RESERVED.

REVISIONS					
P	LTR	DESCRIPTION	DATE	DWN	APVD
3		REMOVED CORNER HOLE	01SEP2016	VL	SS
A		DRAWING RELEASED	21APR2017	VL	SS
A1		REVISED PER ECO-17-007644	26MAY2017	VL	SS
A2		REVISED PER ECO-17-013857	20SEP2017	SS	HL



NOTES:

- 1 MATERIAL: 0.20mm CRS. 1,25 - 3.00 μ m MATTE TIN FINISH.
- 2 MATERIAL: 0.20mm AL. 1.20 - 2.00 μ m MATTE TIN FINISH OVER NICKEL FLASH.
- 3 STAMPING BURR OUTSIDE OF PART, MAX 0.05mm.
- 4 PARTS TO BE FREE OF OIL AND CONTAMINENTS.
- 5 PART IS RoHS COMPLIANT PER TE CONNECTIVITY STANDARD TEC-138-702.
- 6 REFER TO 3D MODEL FOR UNSPECIFIED DIMENSIONS.
- 7 PACKAGING: TAPE AND REEL

$\triangle 7$	$\triangle 2$	2118707-4
$\triangle 7$	$\triangle 1$	2118707-2
PACKAGING	MATERIAL	PART NUMBER

THIS DRAWING IS A CONTROLLED DOCUMENT.		DWN V. LAC 07APR2016	TE Connectivity	
DIMENSIONS: mm		CHK S. SU 21APR2017		
TOLERANCES UNLESS OTHERWISE SPECIFIED:		APVD V. LAC 21APR2017	NAME 1 PIECE STANDARD SHIELD	
0 PLC ± 0.20 1 PLC ± 0.15 2 PLC ± 0.10 3 PLC \pm 4 PLC \pm ANGLES ± 2		PRODUCT SPEC 108-115119	RESTRICTED TO	
MATERIAL SEE TABLE		APPLICATION SPEC 114-115013	SIZE A3	CAGE CODE -
FINISH SEE TABLE		WEIGHT -	DRAWING NO C-2118707	REV A2
		CUSTOMER DRAWING	SCALE 5:1	SHEET 1 OF 3

THIS DRAWING IS UNPUBLISHED.

RELEASED FOR PUBLICATION

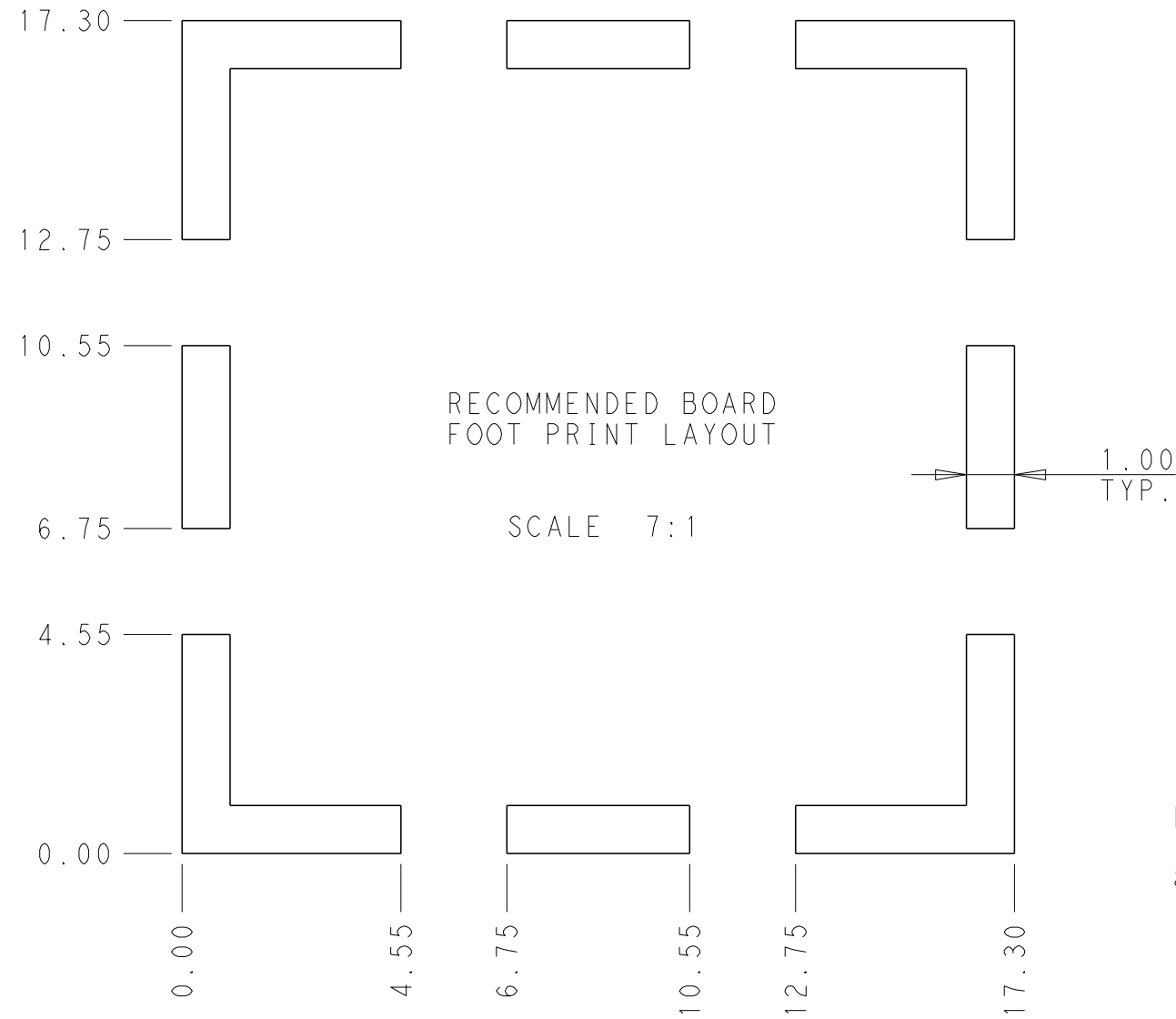
20

© COPYRIGHT 20 BY -

ALL RIGHTS RESERVED.

REVISIONS

P	LTR	DESCRIPTION	DATE	DWN	APVD
-	-	SEE SHEET 1	-	-	-

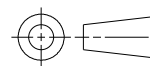


NOTES:

8. STENCIL THICKNESS: 0.10mm MIN.

THIS DRAWING IS A CONTROLLED DOCUMENT.

DIMENSIONS:
mm



TOLERANCES UNLESS OTHERWISE SPECIFIED:

- 0 PLC ±0.20
- 1 PLC ±0.15
- 2 PLC ±0.10
- 3 PLC ±
- 4 PLC ±
- ANGLES ±2

MATERIAL
SEE TABLE

FINISH
SEE TABLE

DWN V. LAC 07APR2016

CHK S. SU 21APR2017

APVD V. LAC 21APR2017

PRODUCT SPEC
108-115119

APPLICATION SPEC
114-115013

WEIGHT
-

CUSTOMER DRAWING



TE Connectivity

NAME
1 PIECE STANDARD SHIELD

SIZE	CAGE CODE	DRAWING NO	RESTRICTED TO
A3	-	©-2118707	-

SCALE 5:1 SHEET 2 OF 3 REV A2

THIS DRAWING IS UNPUBLISHED.

RELEASED FOR PUBLICATION

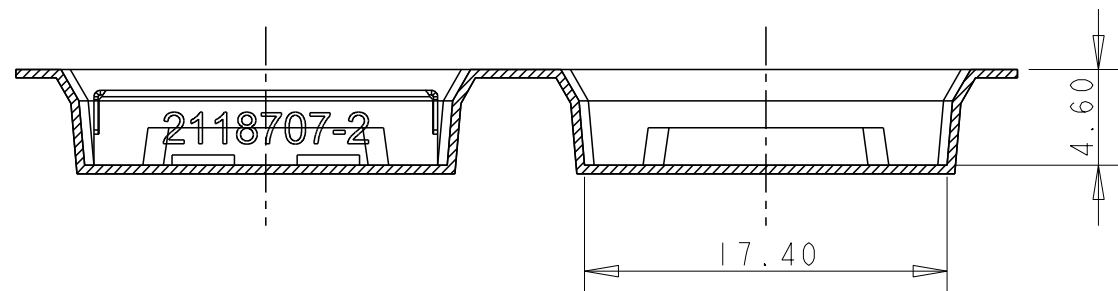
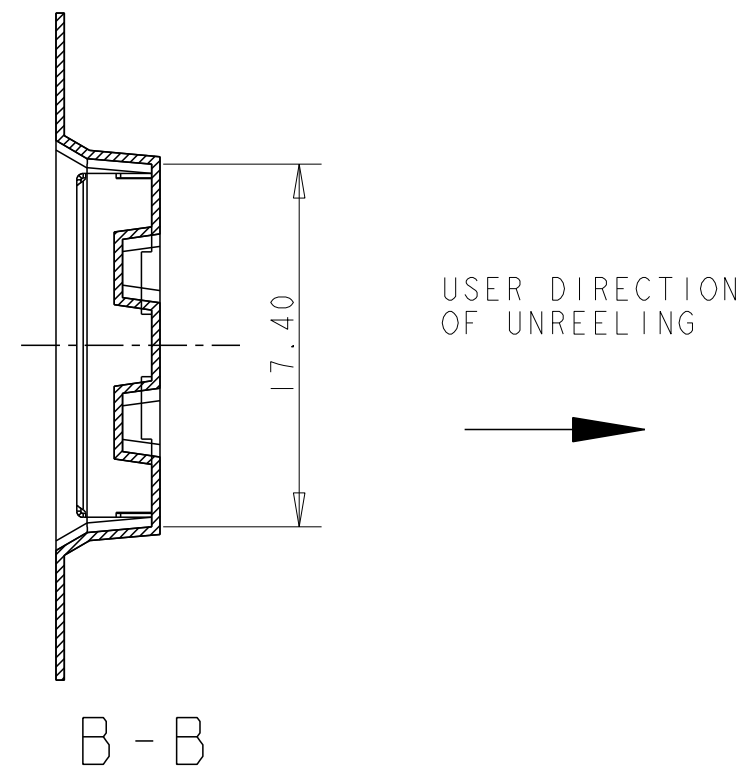
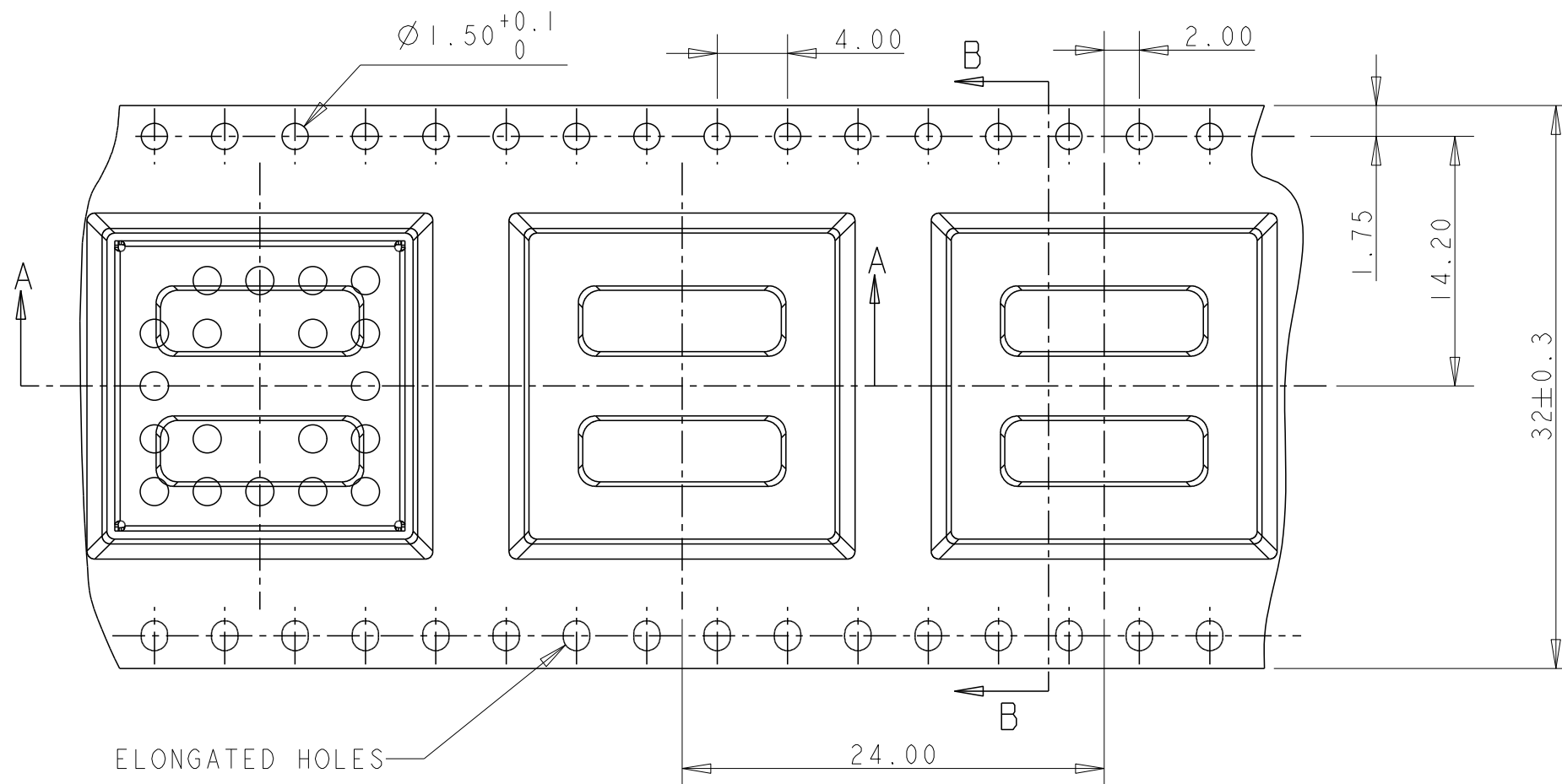
20

© COPYRIGHT 20 BY -

ALL RIGHTS RESERVED.

REVISIONS

P	LTR	DESCRIPTION	DATE	DWN	APVD
-	-	SEE SHEET 1	-	-	-

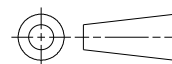


NOTES:

- 9. REEL SIZE: O.D. 330mm, I.D. 100mm
- 10. QTY PER REEL: 550PCS

THIS DRAWING IS A CONTROLLED DOCUMENT.

DIMENSIONS: mm



MATERIAL SEE TABLE

TOLERANCES UNLESS OTHERWISE SPECIFIED:

- 0 PLC ±0.20
- 1 PLC ±0.15
- 2 PLC ±0.10
- 3 PLC ±
- 4 PLC ±
- ANGLES ±2

FINISH SEE TABLE

DWN V. LAC 07APR2016

CHK S. SU 21APR2017

APVD V. LAC 21APR2017

PRODUCT SPEC 108-115119

APPLICATION SPEC 114-115013

WEIGHT -

CUSTOMER DRAWING

NAME 1 PIECE STANDARD SHIELD

SIZE A3 CAGE CODE - DRAWING NO. ©-2118707 RESTRICTED TO -

SCALE 5:1 SHEET 3 OF 3 REV A2

