

1

2

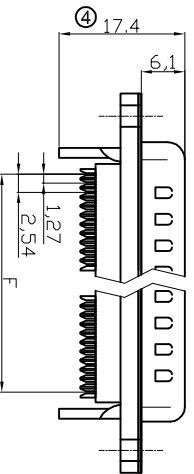
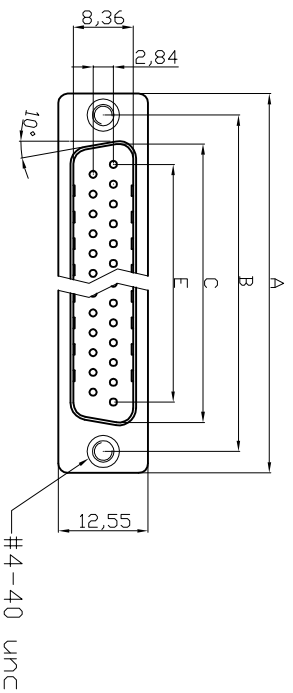
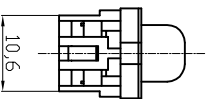
3

4

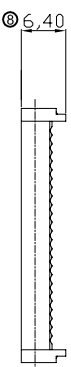
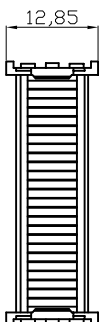
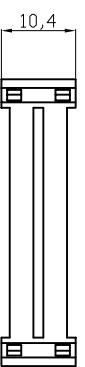
5

6

7

MaleWith Insulator SupportStrain Relief

Dimensions		A	B	C	E	F
Positions	9	30.81	24.99	16.92	11.08	13.10
	15	39.20	33.30	25.25	19.39	20.70
	25	53.04	47.04	38.96	33.24	33.68
	37	69.40	63.50	55.42	49.86	50.30

Cover

Product Specification

Material
Insulator : Glass-Filled Thermoplastic PBT, UL94V-0, Black
Contact : Copper alloy, plating gold flash selective gold
Shell : Steel, 100u" Tin Over 50u" min Copper
Cinch Nut : Brass, Nickel Plated

Electrical

Contact Resistance : 20 milliohms Max at 1 AMP DC.
Insulation Resistance : 1000 megohms at 500 VDC.
Dielectric Withstanding Voltage : 1000 VAC/rms 60Hz for 1 minute
Current Rating : 3 AMP
Voltage Rating : 250 VAC/rms 60Hz
Wire Spec : 26AWG-28 AWG
Operating Temperature: -55°C ~ +105°C

⑥ UL E No #E198287

Order Code: A-DXF xx LP1111/Z-UNC

Contact Type
C - Ferrule
S - Male
No. of Contact
09 / 15 / 29 / 37
UNC - UNC 4-40 thread
Standard: Quality class III

ROHS compliant

Unit:mm

Scale	Free	③	Update the dimension	27.02.2015	Winnie		Date	Name
TOLERANCE		⑦	Change the operating temperature	19.11.2014	Winnie	Drawn	15.08.2012	Lucas
X.	±0.38	⑥	Correct the UL-File number	03.04.2014	Winnie	Approved	27.02.2015	Winnie
X.X	±0.25	⑤	Update the 17.28mm into 17.10mm	07.03.2014	Winnie			
X.XX	±0.13	④	Update the 17.58mm into 17.40mm	04.03.2014	Winnie			
DIM	TOL	③	Update the wire specification	26.06.2013	Winnie			
X.°	±3°							
X.X°	±1.0°							
Angle	TOL		Modification					

ASSMANN
W/SW/ components

Customer-No.

ASSMANN WSW-No.

A-DXF xx LP1111/Z-UNC

Drawing-No.

ASS 4892 CO

rev08

Replace

Sheet
1/2

1

2

3

4

5

6

7

H

G

F

E

D

C

B

A

H

G

F

E

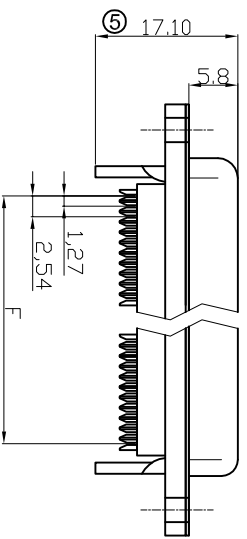
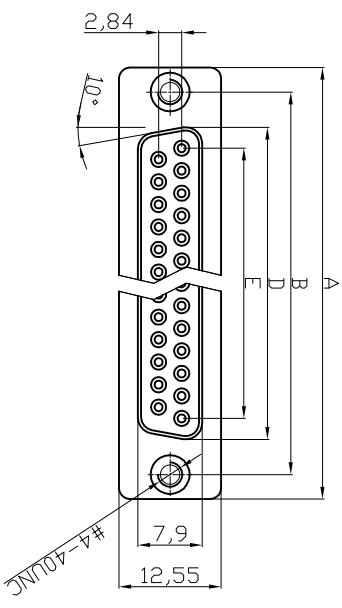
D

C

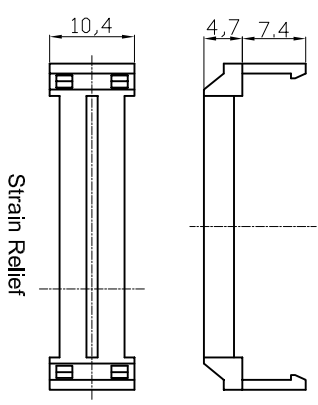
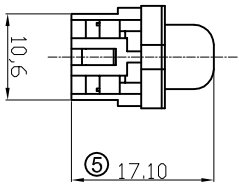
B

A

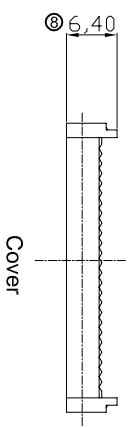
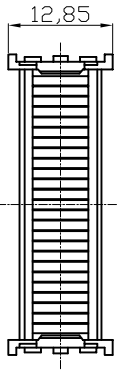
Female



With Insulator Support



Positions	A	B	D	E	F
9	30,81	24,99	16,33	11,08	10,16
15	39,20	33,30	24,70	19,39	17,78
25	53,05	47,04	38,40	33,24	30,48
37	69,40	63,50	54,80	49,86	45,72



Cover

NOTES:

MATERIAL

- 1. Insulator Material: Glass-Filled Thermoplastic PBT, UL 94V-0-Black
 - 2. Contact Material : Copper alloy , Gold flash selective gold
 - 3. Shell :SPCC
 - 4. Clinch Nut : Brass, Nickel Plated
 - 5. Screwlock : Brass, Nickel Plated
- ELECTRICAL**
- 1. Current Rating : 3 AMP
 - 2. Voltage Rating : 250 V AC/rms 60 Hz
 - 3. Contact Resistance: 20mΩ max at 1 AMP DC
 - 4. Insulation Resistance: 1000MΩ at 500 VDC
 - 5. Withstand Voltage : 1000V AC/rms 60Hz for 1 minute
 - ③ 6. Wire Spec : 26AWG~28 AWG
 - ⑦ 7. Operating Temperature : -55°C+105°C
- UL E No #E198287

RoHS compliant
Unit:mm

Scale	Free	⑧	Update the dimnesion	27.02.2015	Winnie		Date	Name
TOLERANCE		⑦	Change the operating temperature	19.11.2014	Winnie	Drawn	15.08.2012	Lucas
X.	±0,38	⑥	Correct the UL-File number	03.04.2014	Winnie	Approved	27.02.2015	Winnie
X.X	±0,25	⑤	Update the 17.28mm into17.10mm	07.03.2014	Winnie			
X.XX	±0,13	④	Update the 17.58mm into17.40mm	04.03.2014	Winnie			
DIM	TOL	③	Update the wire specification	26.06.2013	Winnie			
X.°	±3°							
X.X°	±1,0°							
Angle	TOL		Modification					



ASSMANN WSW-No.
A-DXF XX LP111/Z-UNC
Drawing-No.
ASS 4892 CO rev08
Replace Sheet 2/2

1	2	3	4	5	6	7	A
1	2	3	4	5	6	7	A
1	2	3	4	5	6	7	B
1	2	3	4	5	6	7	C
1	2	3	4	5	6	7	D
1	2	3	4	5	6	7	E
1	2	3	4	5	6	7	F
1	2	3	4	5	6	7	G
1	2	3	4	5	6	7	H