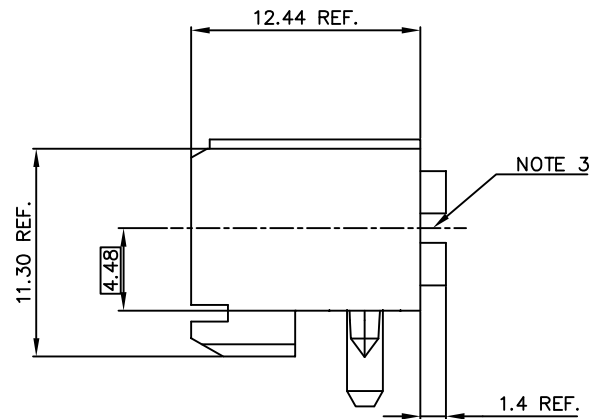
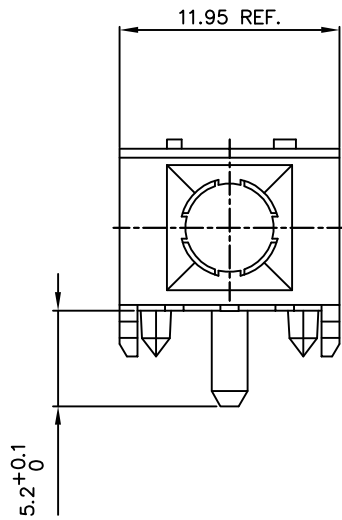
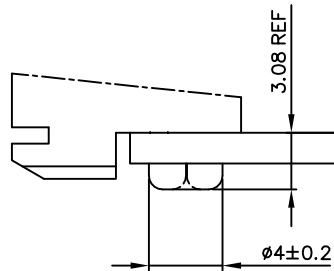


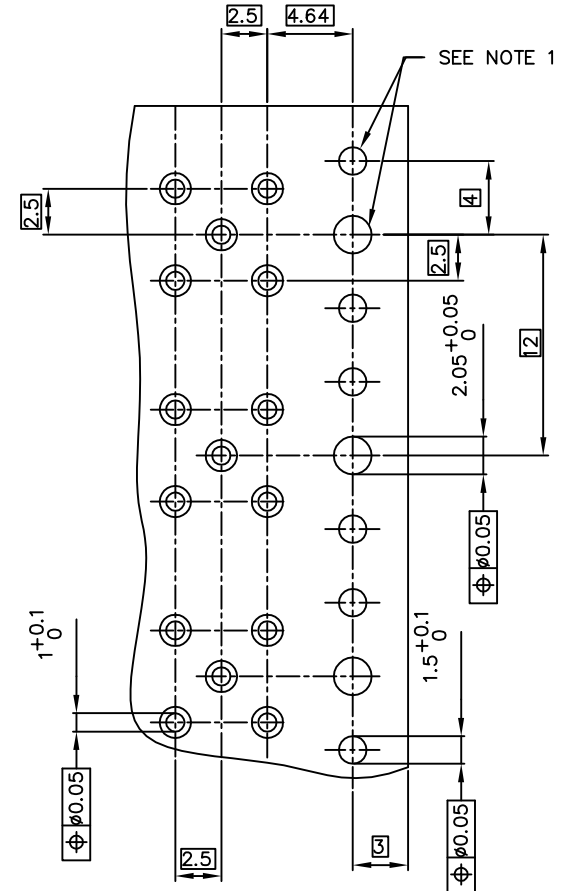
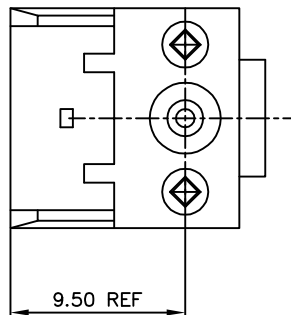
| PRODUCT NR  | PCB THICKNESS |
|-------------|---------------|
| 70292-101LF | 1.6 & 2.4     |



ASSEMBLY AFTER HOT RIVETTING.



PC BOARD THICKNESS  $\pm 0.20$   
SEE TABLE



RECOMMENDED HOLE PATTERN,  
COMPONENT SIDE.

NOTE:

- INDICATED HOLES ARE UNPLATED.
- MATERIAL: LIQUID CRYSTAL POLYMER 30% GLASS, FLAME RETARDANT ACC. UL 94-V0, COLOR NATURAL.
- SLOT OPTIONAL
- THIS PRODUCT WITH "LF" SUFFIX MEETS EUROPEAN UNIDIRECTIVES AND OTHER COUNTRY REGULATIONS AS DESCRIBED IN GS -22-008.
- THE HOUSING WILL WITHSTAND EXPOSURE TO 260 DEGREE PEAK TEMPERATURE FOR 10 SECONDS IN A WAVE SOLDER APPLICATION WITH A 1.6mm MINIMUM THICK CIRCUIT BOARD.

| mat'l. code |          | tolerances unless otherwise specified |        | CUSTOMER COPY |             | ELECTRONICS                 |           |
|-------------|----------|---------------------------------------|--------|---------------|-------------|-----------------------------|-----------|
| SEE NOTE 2  |          |                                       |        | F C I         |             | www.fciconnect.com          |           |
| ltr         | ecn no   | dr                                    | date   | linear        | projection  | title                       |           |
| H           | 005-0357 | Clu                                   | 050927 |               |             | R/A HOUSING RECEPTACLE COAX |           |
| C           | H20409   | SLE                                   | 920809 | angles        |             | product family              | ETRAL(tm) |
| D           | H20570   | DAN                                   | 920911 | dr            | D.Andrews   | 891212                      | code      |
| E           | H50663   | RVI                                   | 951102 | eng           | P.Schalk    | 951102                      | 213       |
| F           | H90490   | HME                                   | 990816 | chr           | A.v.Zanten  | 891212                      | sheet     |
| G           | V00285   | LLA                                   | 000217 | app           | H.v.Woensel | 891212                      | 1 of 1    |
| sheet       | revision | H                                     |        |               |             |                             |           |
| Indx        | sheet    | 1                                     |        |               |             |                             |           |

PDM: Rev.H

STATUS: Released

Printed: May 19, 2011