

NOTES:

1.0 MATERIALS:

- 1.1 HOUSING & LOCKNUT: STAINLESS STEEL PER ASTM-A582, TYPE 303.
- 1.2 CENTER CONTACT: BERYLLIUM COPPER ROD ALLOY C172, PER ASTM-B196.
- 1.3 DIELECTRIC: PTFE FLUOROCARBON PER ASTM-D1457.
- 1.4 LOCKWASHER: STAINLESS STEEL 400 SERIES.

2.0 PLATING:

- 2.1 HOUSING, LOCKNUT & LOCKWASHER: PASSIVATED PER MIL-F-14072 AND QQ-P-35
- 2.2 CENTER CONTACT: GOLD PER MIL-PRF-39012
TYPE II, CLASS 2.

3.0 MECHANICAL:

- 3.1 INTERFACES PER MIL-STD-348 IN ACCORDANCE MIL-A-55339
- 3.2 CENTER CONTACT CAPTURED IN ACCORDANCE MIL-A-55339

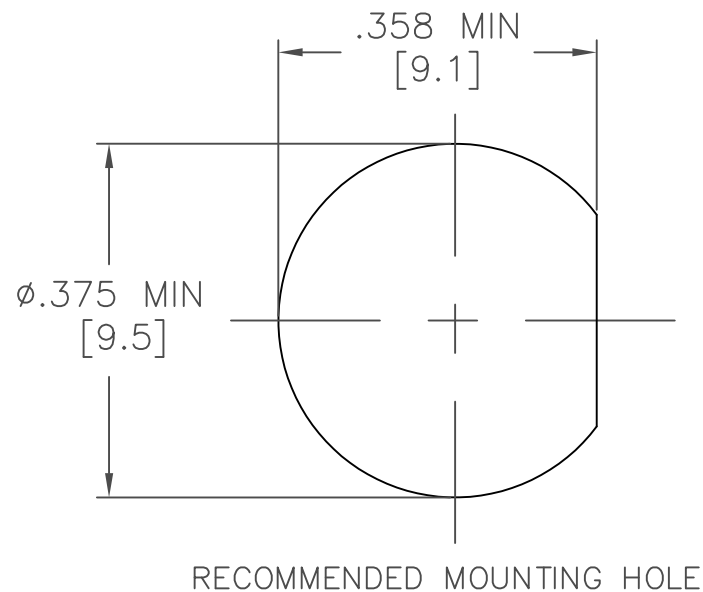
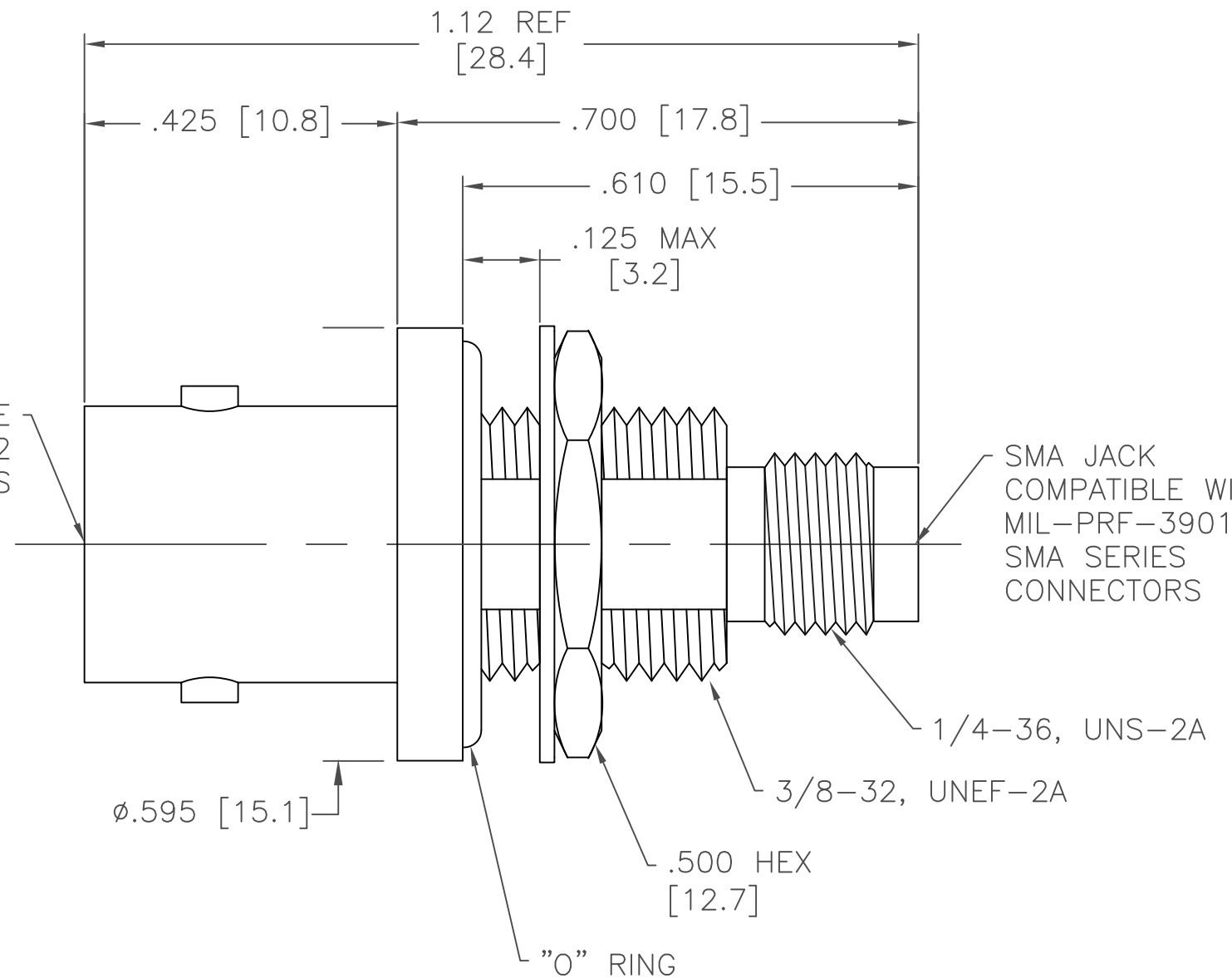
4.0 ELECTRICAL:

- 4.1 VSWR 1.15:1 MAXIMUM FROM DC-4.0 GHz. FREQUENCY RANGE

5.0 DIMENSIONS IN BRACKETS ARE MILLIMETERS.

BNC JACK COMPATIBLE WITH MIL-PRF-39012 BNC SERIES CONNECTORS

SMA JACK COMPATIBLE WITH MIL-PRF-39012 SMA SERIES CONNECTORS



NOTICE: The information contained in this drawing is proprietary and must not be used without the permission of Emerson Network Power.

UNLESS OTHERWISE NOTED DIMENSIONS ARE IN INCHES AND TOLERANCES ARE:
 3 PLACE DECIMALS ±.005
 2 PLACE DECIMALS ±.02
 FRACTIONS ±1/64
 PARALLELITY: T.I.R. _____
 FLATNESS: T.I.R. _____
 CONCENTRICITY: T.I.R. _____
 ANGLES AND PERPENDICULARITY: ±1'

CAGE CODE 34078		MIDWEST MICROWAVE	
		TITLE BNC JACK TO SMA JACK BLKHD FEEDTHRU ADAPTER OUTLINE DRAWING	
		DRAWING NUMBER ADT-2838-BF-SMF-02-01	REV. B
DRAWN/DATE A.BEATTY 8/25/94	ENG./DATE A.OSGA 9/2/94	SCALE: 5=1	SHEET 1 of 1
CHECKED/DATE M.HOLLMAN 8/26/94	APPROVED/DATE C.RIGGE 11/18/98		

REV.	DESCRIPTION	DATE
I	RELEASED	9/2/94
A	ECN 16928	12/3/98
A1	ADDED TITLEBLOCK	3/17/05
B	ECO 24058	1/31/12