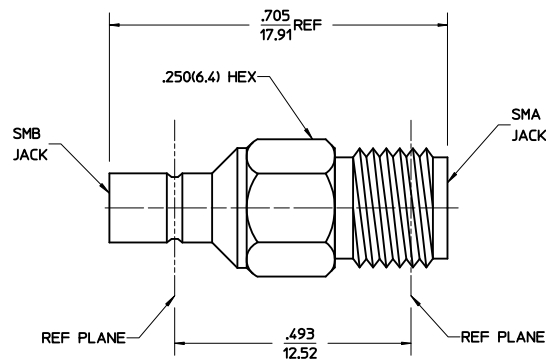


MATERIALS AND FINISHES:  
 BODY STAINLESS STEEL  
 PASSIVATED

CENTER CONTACT BERYLLIUM COPPER  
 PLATED GOLD

INSULATOR TEFLON



PART # 73386-0202 (TRAY PACK)  
 PART # 73386-0201 (ONE PER BAG)

MIL-STD-348, FIGURE 311-1	SMB INTERFACE
MIL-STD-348, FIGURE 310-2	SMA INTERFACE
PS-89675-2730	ELECTRO/MECH PERFORMANCE
SPECIFICATION	DESCRIPTION

CHG: NEW FRAME EC NO: URF2011-0580 DRWN: JWIENER 2011/04/05 CHKD: AZR 2011/04/05 APPR: JWIENER 2011/04/06	QUALITY SYMBOLS ▽=0 ▽=0	GENERAL TOLERANCES (UNLESS SPECIFIED)		DIMENSION STYLE IN/MM		SCALE	DESIGN UNITS INCH	THIRD ANGLE PROJECTION		
						DRAWN BY EDC	DATE 1997/12/30	TITLE SMA JACK/SMB JACK BSA 50 OHM		
						CHECKED BY GMH	DATE 1997/12/30	BSA-SMA/SMB EWR-1379		
						APPROVED BY	DATE 1997/12/30	MOLEX INCORPORATED		
REV A2	DESCRIPTION	DRAFT WHERE APPLICABLE MUST REMAIN WITHIN DIMENSIONS		MATERIAL NO. SEE TABLE		DOCUMENT NO. SD-73386-020		SHEET NO. 1 OF 1		
SIZE C THIS DRAWING CONTAINS INFORMATION THAT IS PROPRIETARY TO MOLEX INCORPORATED AND SHOULD NOT BE USED WITHOUT WRITTEN PERMISSION										