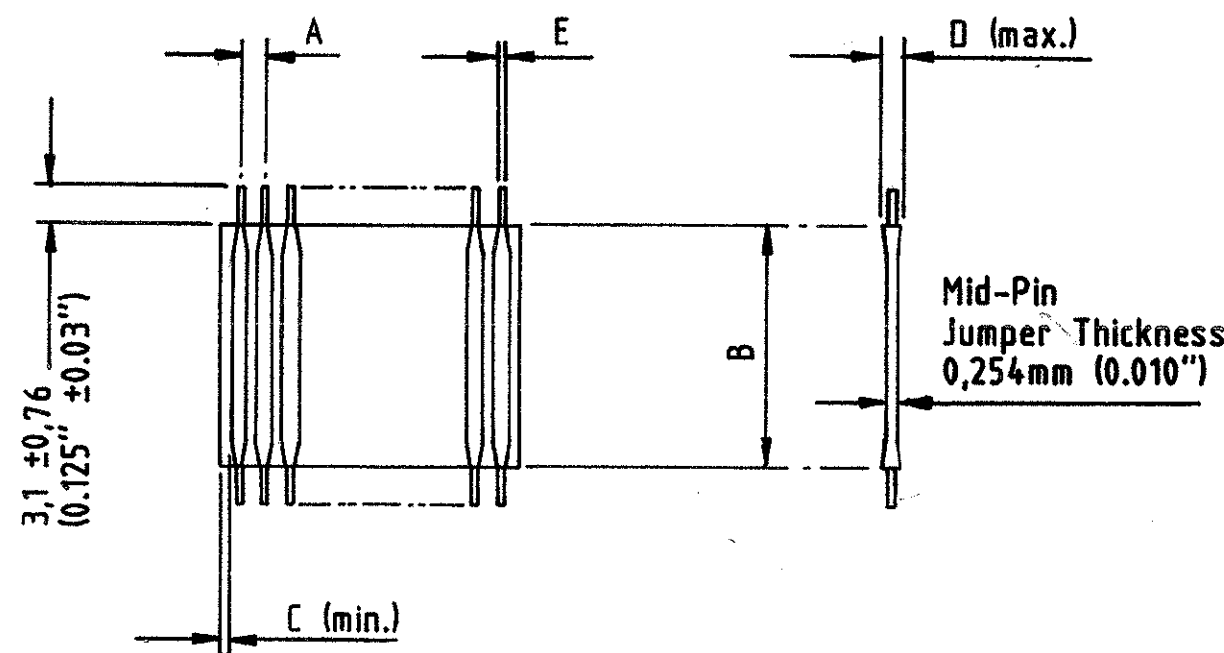




FLEXSTRIP\* JUMPERS

† CONDUCTOR PITCH "A"	MARGIN C (min.)		THICKNESS D (MAX.)		PIN DIAMETER E ±0,025 (±.001")		NUMBER OF CONDUCTORS	
	mm (inch.)	mm (inch.)	mm (inch.)	mm (inch.)	mm (inch.)	mm (inch.)	min.	max.
1	1,27 .050"	0,25 .010"	0,64 .025"	0,320 .0126"	2	-	30	
6	1,90 .075"	0,38 .015"	0,84 .033"	0,404 .0159"	2	-	30	
2	2,54 .100"	0,51 .020"	0,84 .033"	0,511 .0201"	2	-	30	
3	3,18 .125"	1,52 .060"	0,84 .033"	0,511 .0201"	2	-	25	
4	3,81 .150"	1,52 .060"	0,84 .033"	0,511 .0201"	2	-	20	
5	5,08 .200"	1,52 .060"	0,84 .033"	0,511 .0201"	2	-	15	

2/86



Dimensions are shown in mm (inches.)  
† Tolerance on Pitch ±0,25 (0.01") non-cumulative.

INSULATION LENGTH B ±1.57 (±0.062")		
mm	(inch)	Cat. Ref.
25.4	1	1
38.1	1½	1.5
50.8	2	2
63.5	2½	2.5
76.2	3	3
88.9	3½	3.5
101.6	4	4
114.3	4½	4.5
127	5	5
139.7	5½	5.5
152.4	6	6

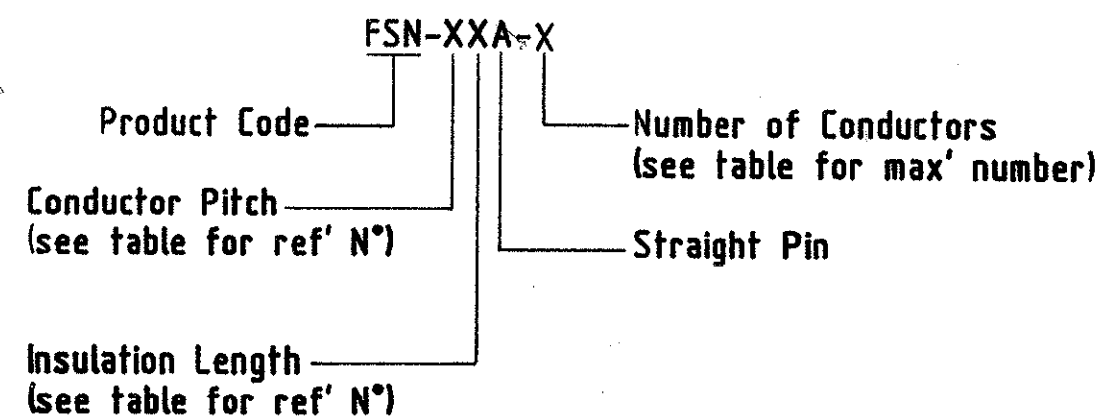
PROPERTIES :-

Insulation Material - Nomex#  
Temperature Rating - 105°C  
Current Rating - 2 amps  
U.L. Style Number - 5188

NOTES:-

\* Trademark of Thomas & Betts Corporation  
\* Registered trademark of E.I. Du Pont de Nemours

CATALOGUE NUMBERING SYSTEM



EXAMPLE:-

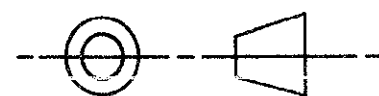
FSN -22A - 15

FSN - Flexstrip Jumper With Nomex insulation  
2 - Conductor Pitch 2.54 (0.100)  
2 - Insulation Length 50.8 (2)  
A - Straight Pin  
15 - Number of Conductors 15

T&B THOMAS & BETTS INTERNATIONAL  
EUROPEAN ENGINEERING DIVISION

DRG. N°  
3S-10018

IMPERIAL DIMENSIONS SHOWN THUS [ ]  
TOLERANCES  
0000 EQUALS ± .0002  
000 EQUALS ± .003  
00 EQUALS ± .015



THIRD ANGLE PROJECTION

REV	DESCRIPTION	DATE	BY	MATERIAL	PART NAME
0				HEAT TREAT	PRODUCT CODE
				FINISH	TOLERANCES UNLESS OTHERWISE SPECIFIED
				SCALE	
				DR.	FSN-24A-4
				CH.	
				APP.	
					tyco 8-1437145-1
					Electronics REV 0 SHT 2 OF 1