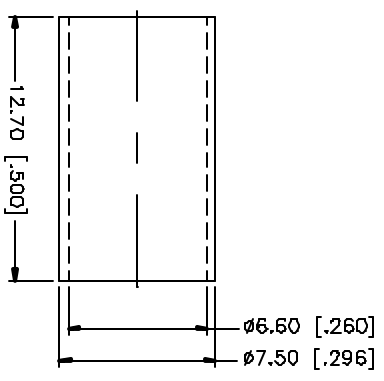
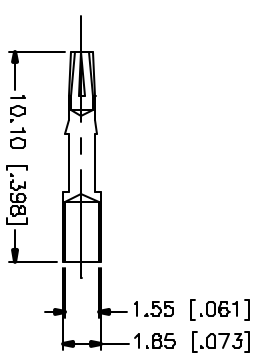
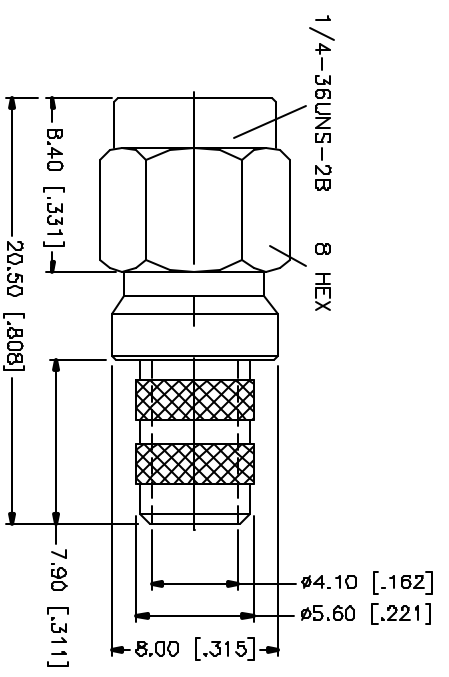
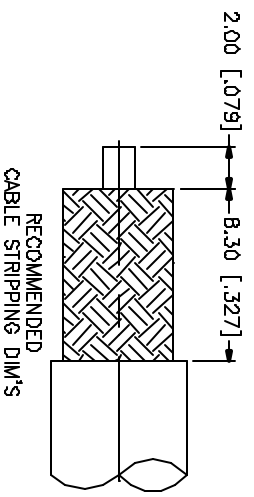


REV.	DATE	DESCRIPTION
NC	07/09/99	INITIAL RELEASE
A	05/01/04	UPDATE DRAWING FORMAT



VALUES DERIVED FROM THE FOLLOWING STANDARDS ARE APPLIED UNLESS OTHERWISE SPECIFIED:  
 UNLESS OTHERWISE SPECIFIED:  
 TOLERANCES FOR DIMENSIONS ARE:  
 0.3 - 50mm ± 0.20mm  
 50 - 120mm ± 0.50mm  
 UNLESS OTHERWISE SPECIFIED:  
 TOLERANCES FOR ANGLES ARE:  
 .020° - .315° ± 0.007°  
 .315° - 1.180° ± 0.015°  
 1.180° - 4.724° ± 0.020°

QTY	FINISH	MATERIAL	DESCRIPTION
1	GOLD	COPPER	FERRULE
1	GOLD	BER. COPPER	CONTACT PIN
1	GOLD	BRASS	SHELL/BODY

APPROVALS	DATE
DRWN G.R.S.	05/01/04
CHECKED	
ISSUED	
SHEET 1 OF 1	

**Amphenol Connex**

SMA REVERSE POLARITY CRIMP PLUG  
(FOR BELDEN RG-8/X, TIMES LMR-240MA)

PART NO. 132231RP

DWG. NO. 132231RP.DWG    REV. A    SIZE A    SCALE NA