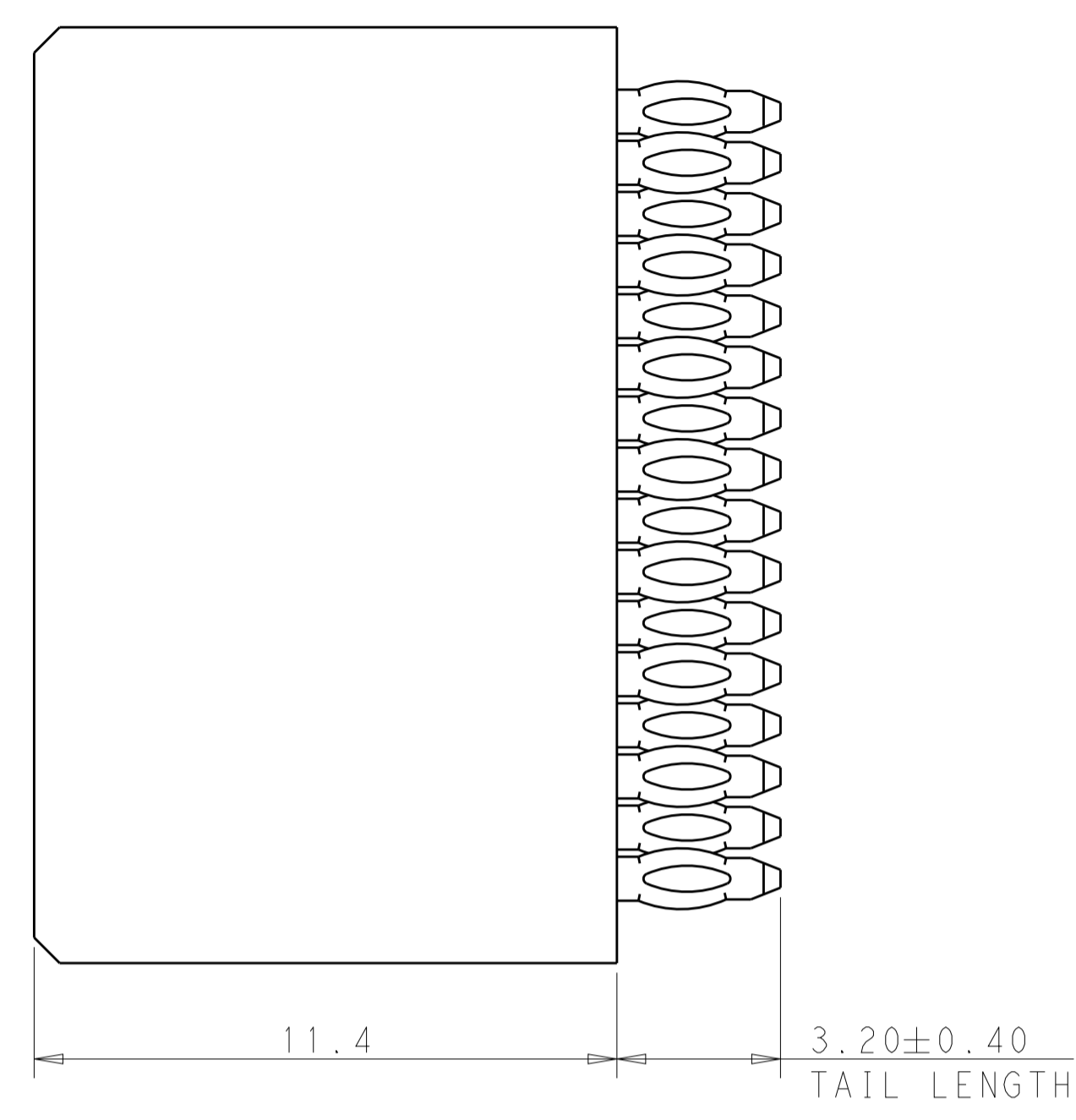
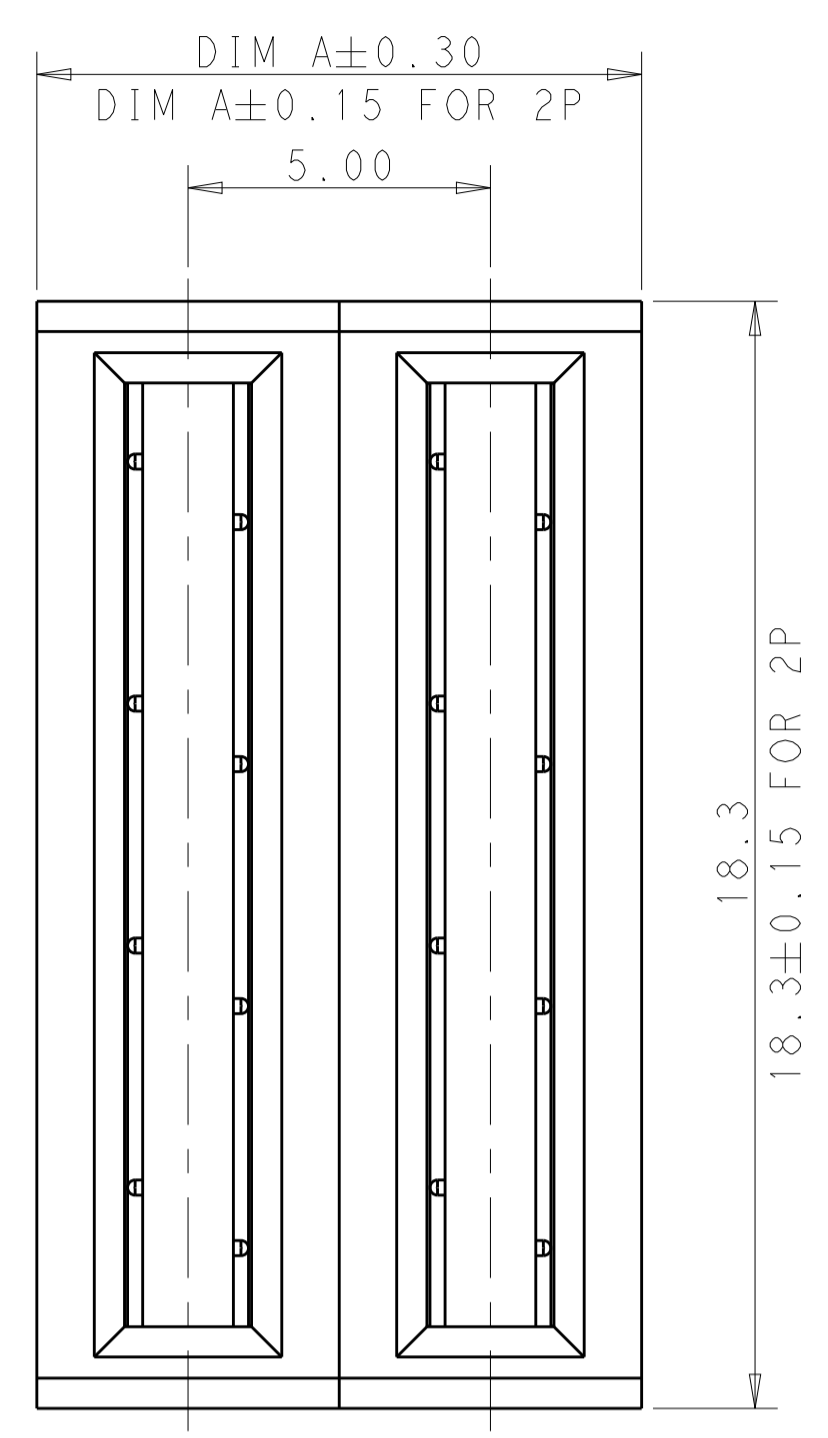
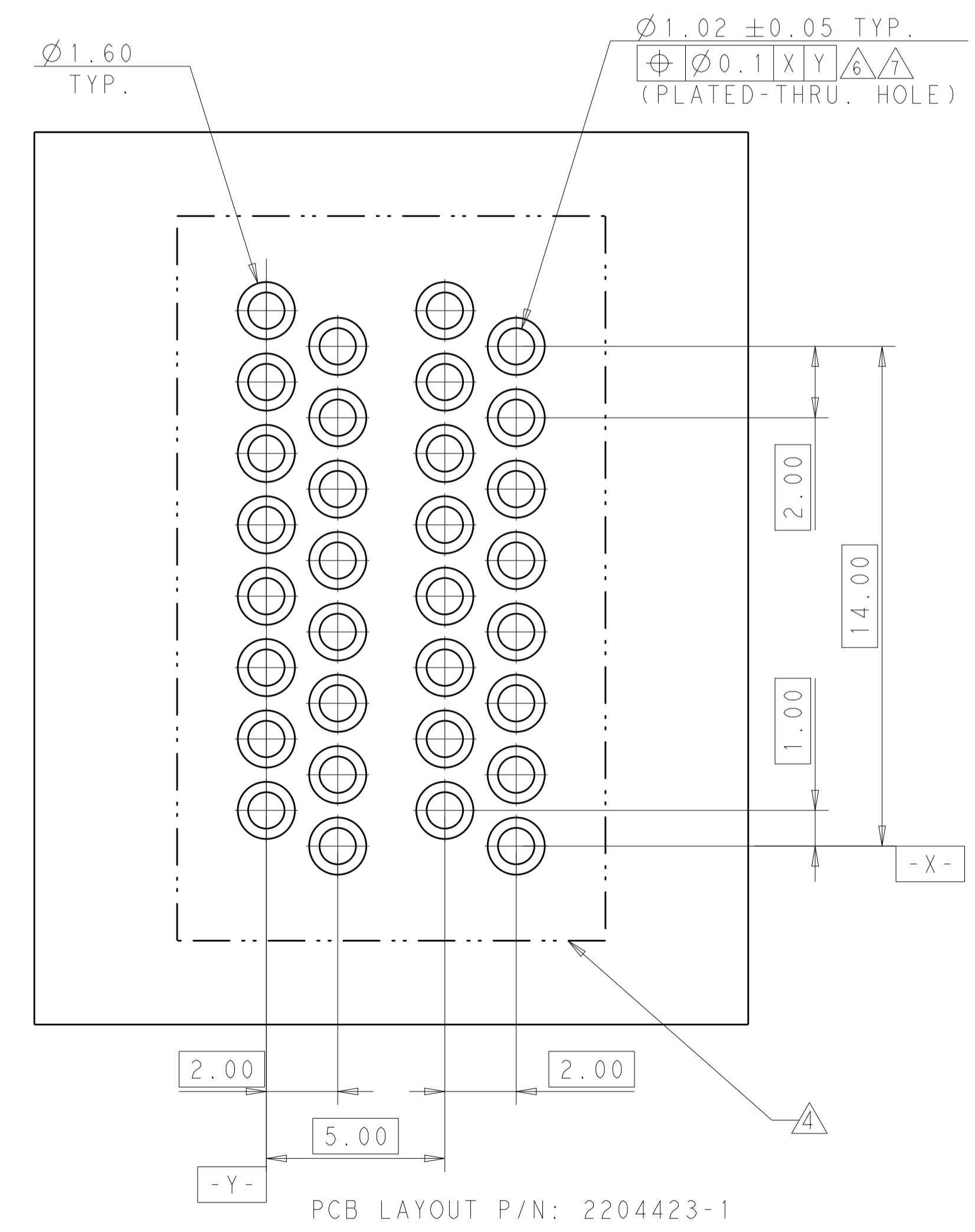
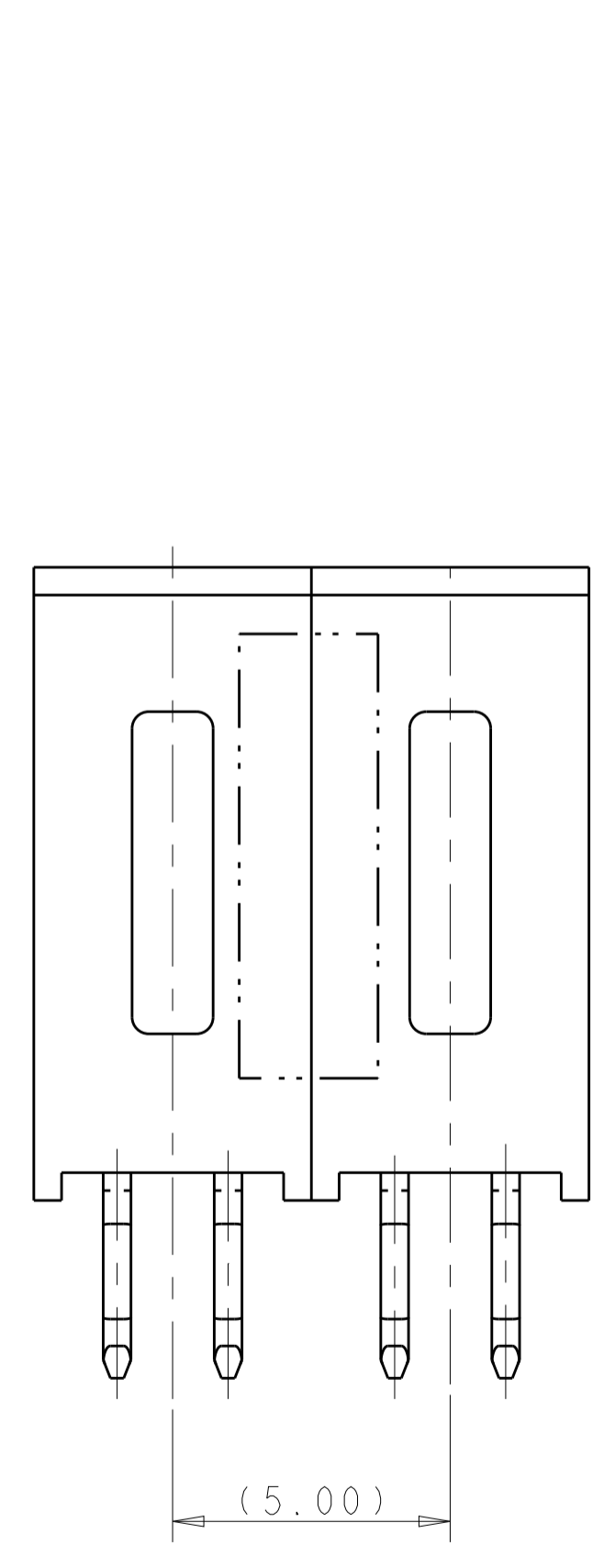


LOC		DIST		REVISIONS			
P	LTN	DESCRIPTION	DATE	DMN	APVD		
A		PROPOSAL DRAWING	17FEB2016	TZ	SZ		
A1		ECR-17-000533	23JAN2017	TZ	SZ		
A2		ECR-17-003044	02MAR2017	TZ	SZ		
A3		ECR-17-005554	18APR2017	TZ	SZ		

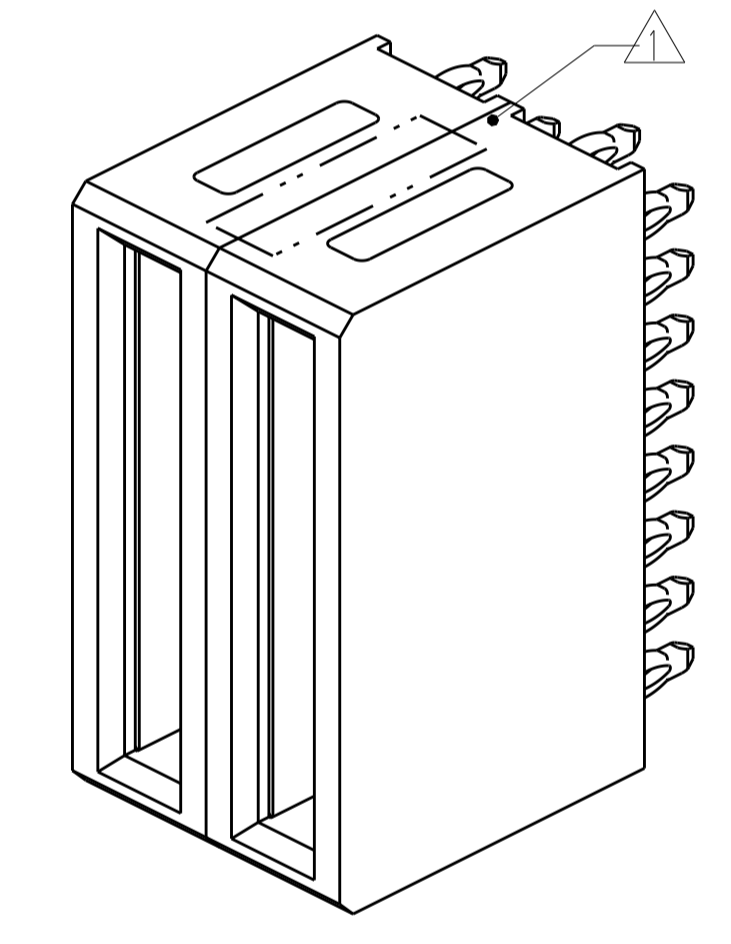


NOTES, UNLESS OTHERWISE SPECIFIED:

- △ "TE", PART NUMBER AND DATE CODE TO BE MARKED IN AREA SHOWN.
- △ MATERIAL:
HOUSING - GLASS FILLED HIGH TEMP THERMO PLASTIC,
COLOR: BLACK, UL94 V- 0.
SIGNAL CONTACT - HIGH CONDUCTIVITY COPPER ALLOY.
POWER CONTACT - HIGH CONDUCTIVITY COPPER ALLOY.
- △ CONTACT PLATING:
MATING AREA - NOBLE METAL OVERALL NICKEL
TAIL SIDE AREA - MATTE TIN OVERALL NICKEL.
- △ MECHANICAL CONNECTOR KEEP OUT ZONE.
- △ DATUM AND BASIC DIMENSIONS ESTABLISHED BY CUSTOMER.
- △ PCB - ALL HOLE DIAMETERS ARE FINISHED HOLE SIZES.
- △ PCB HOLE:
POWER - 1.15 ± 0.025 MM DRILLED HOLES SIZE PLATING WITH 0.0076 MM MIN.
Sn OVER 0.025-0.076 MM Cu PLATING TO ACHIEVE A 1.02 MM DIA. HOLE.



PART NUMBER	POWER	
	P2	P1
2204423-1	PM	PM
2P		



PRELIMINARY	12.00	4MP	2204423-5
PRELIMINARY	30.00	6P	2204423-4
PRELIMINARY	20.00	4P	2204423-3
	10.00	2P	2204423-2
	10.00	2P	2204423-1
	DIM A	DESCRIPTION	PART NUMBER

THIS DRAWING IS A CONTROLLED DOCUMENT. DWN THOMAS ZHAO 28JUN2013
 CHK SUNY ZHAO 28JUN2013
 APVD SUNY ZHAO 28JUN2013

STE TE Connectivity

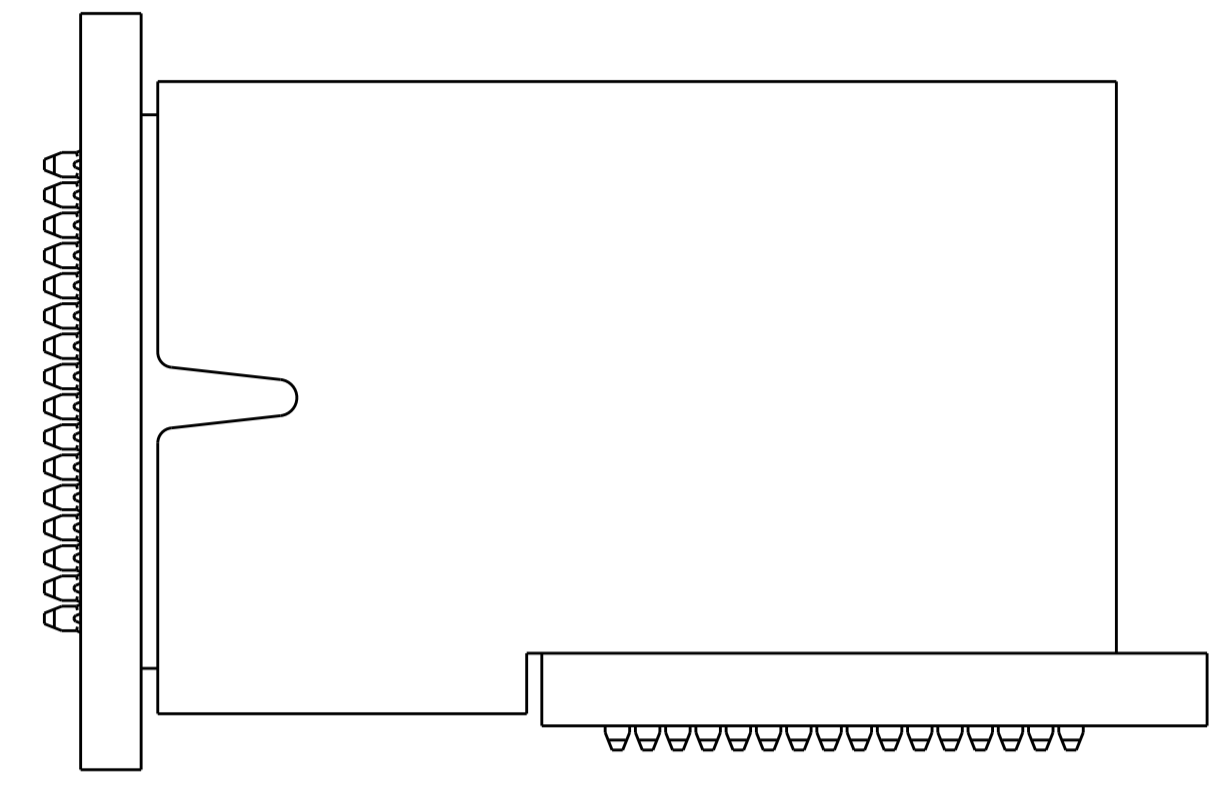
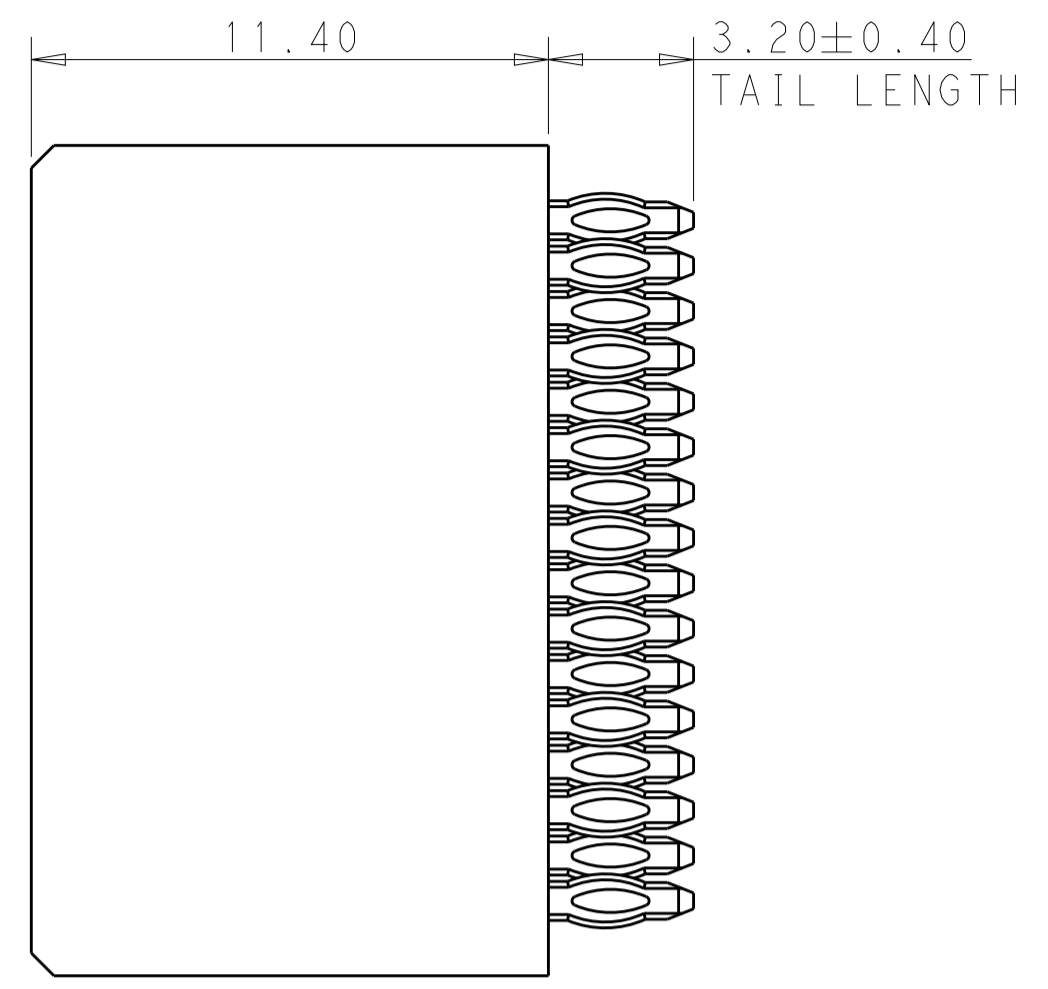
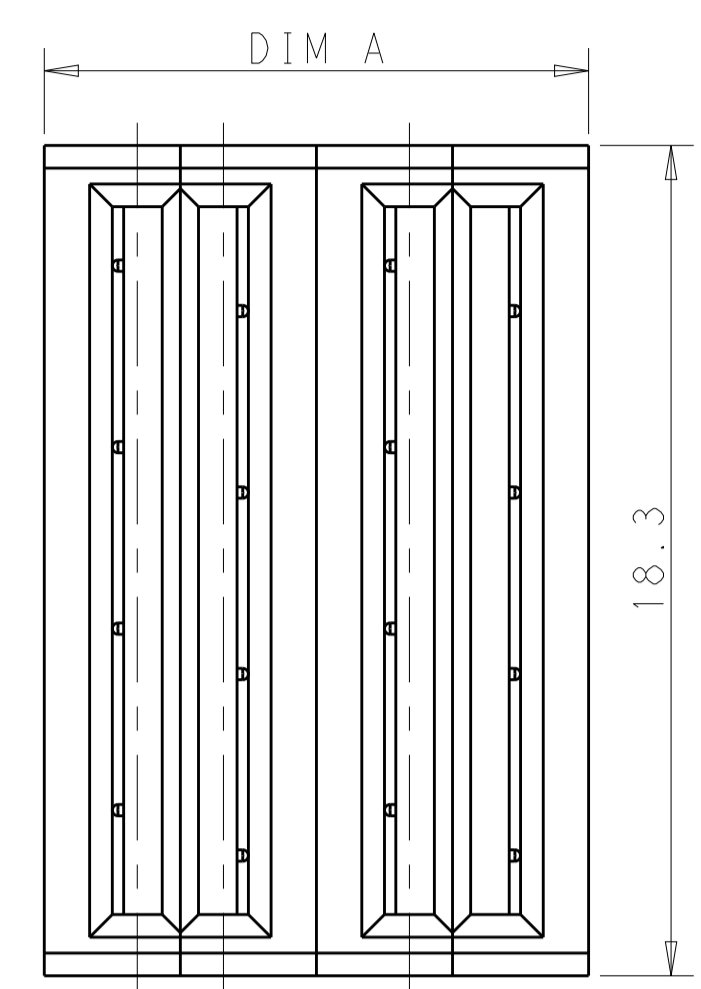
Customer Drawing
 VERTICAL RECEPTACLE PRESS FIT
 MUTIL-BEAM HD W/GUIDELESS

SIZE A1 CAGE CODE DRAWING NO. C=2204423

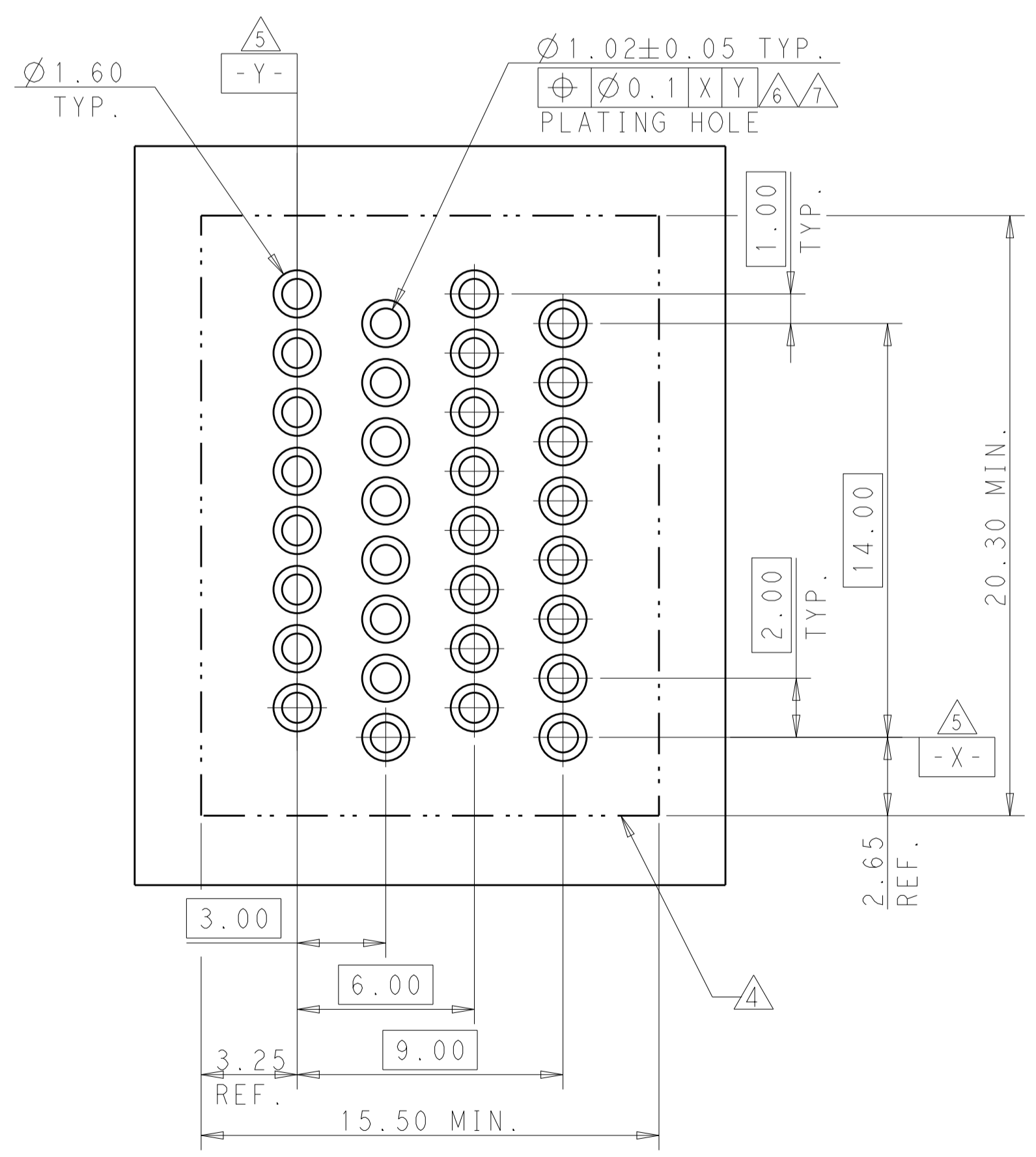
CUSTOMER DRAWING SCALE 8:1 SHEET 1 OF 3 REV A3

DIMENSIONS:	TOLERANCES UNLESS OTHERWISE SPECIFIED:
mm	0 PLC ± .4
	1 PLC ± 0.4
	2 PLC ± 0.75
	3 PLC ± 1.5
	4 PLC ± .
	ANGLES ± .
	FINISH ± .

LOC		DIST		REVISIONS			
				REV	DATE	BY	APPV
-	-	-	-	1	SEE SHEET 1	-	-



THE DISTANCE IS 0.05 MM MATING FACE FROM R/A PLUG TO VERTICAL REC.



PART NUMBER	POWER			
	M4	M3	M2	M1
2204423-5	MM	MM	MN	MN
4MP				

DESCRIPTION	CODE
MIDDLE POWER CONTACT MFBL	MM
MIDDLE POWER CONTACT STANDARD	MN
POWER CONTACT MFBL	PM
POWER CONTACT STANDARD	PN

THIS DRAWING IS A CONTROLLED DOCUMENT.

DWN THOMAS ZHAO 28JUN2013
 CHK SUNY ZHAO 28JUN2013
 APVD SUNY ZHAO 28JUN2013

DIMENSIONS: mm
 TOLERANCES UNLESS OTHERWISE SPECIFIED:
 0 PLC ±
 1 PLC ±0.4
 2 PLC ±0.75
 3 PLC ±1.5
 4 PLC ±
 ANGLES ±

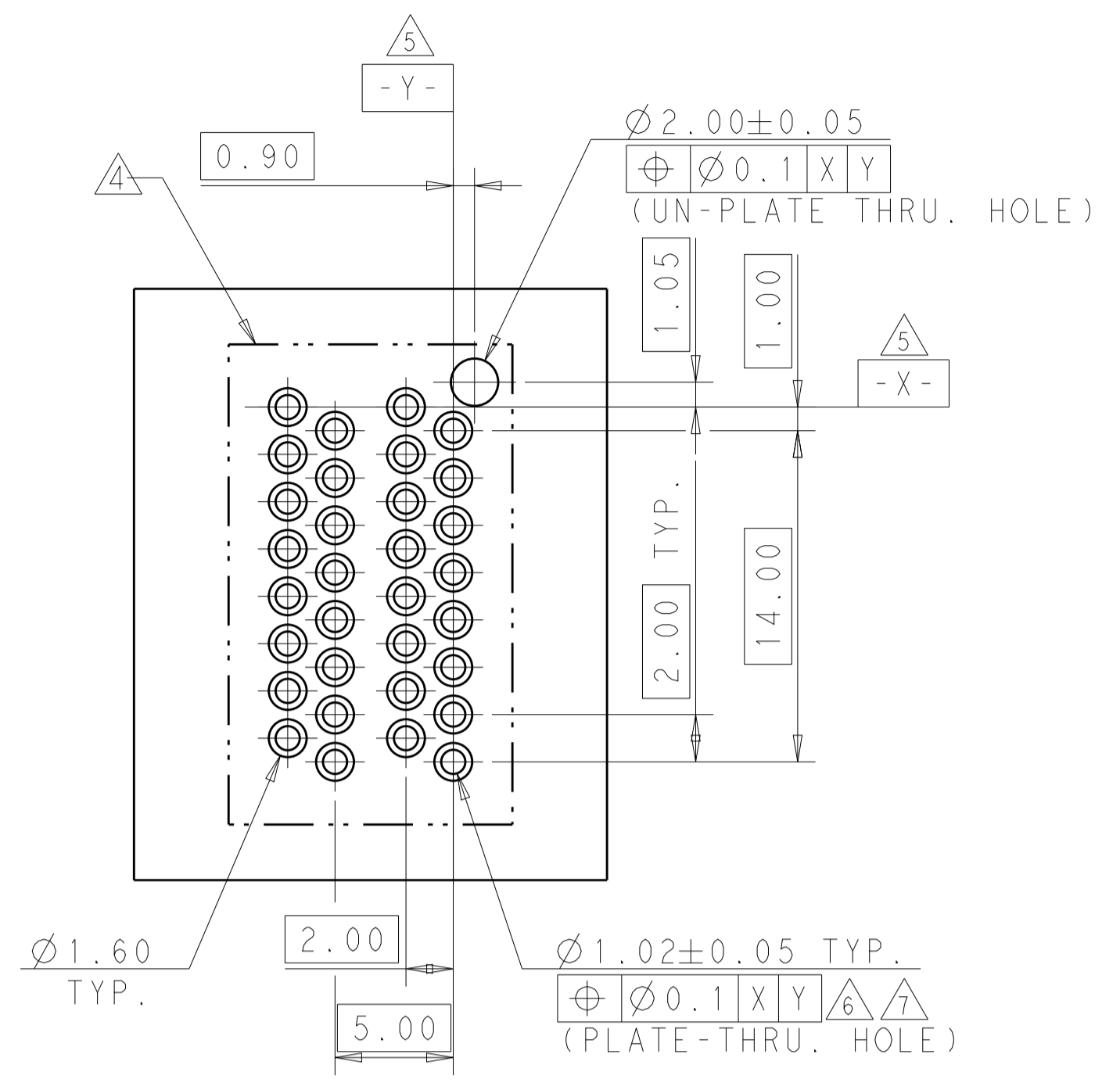
MATERIAL: -
 FINISH: -
 WEIGHT: -
 CUSTOMER DRAWING

NAME: Customer Drawing
 PRODUCT SPEC: VERTICAL RECEPTACLE PRESS FIT
 APPLICATION SPEC: MUTIL-BEAM HD W/GUIDELESS

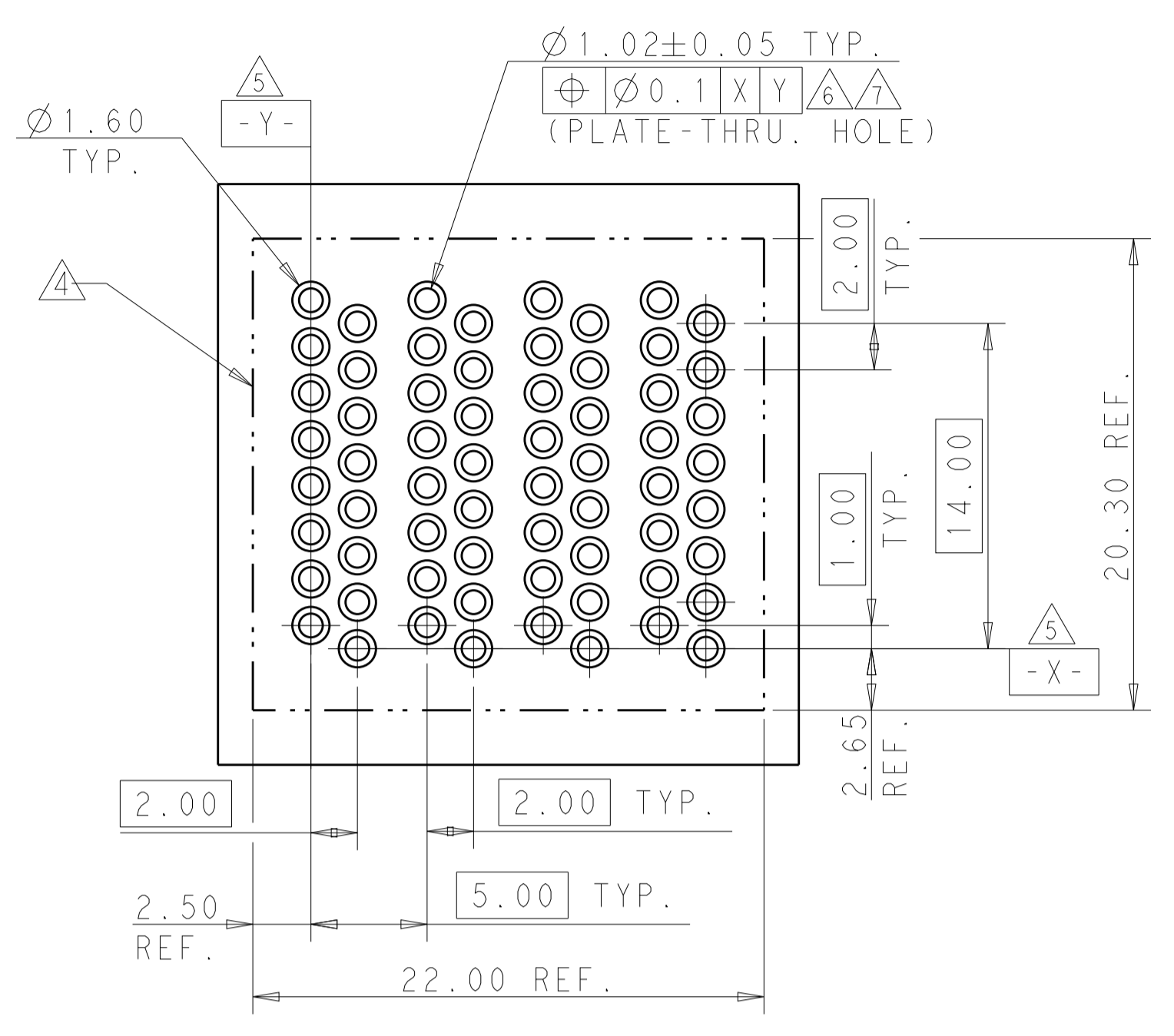
SIZE: A1
 CAGE CODE: -
 DRAWING NO: 2204423
 RESTRICTED TO: -

SCALE: 8:1
 SHEET: 2 OF 3
 REV: A3

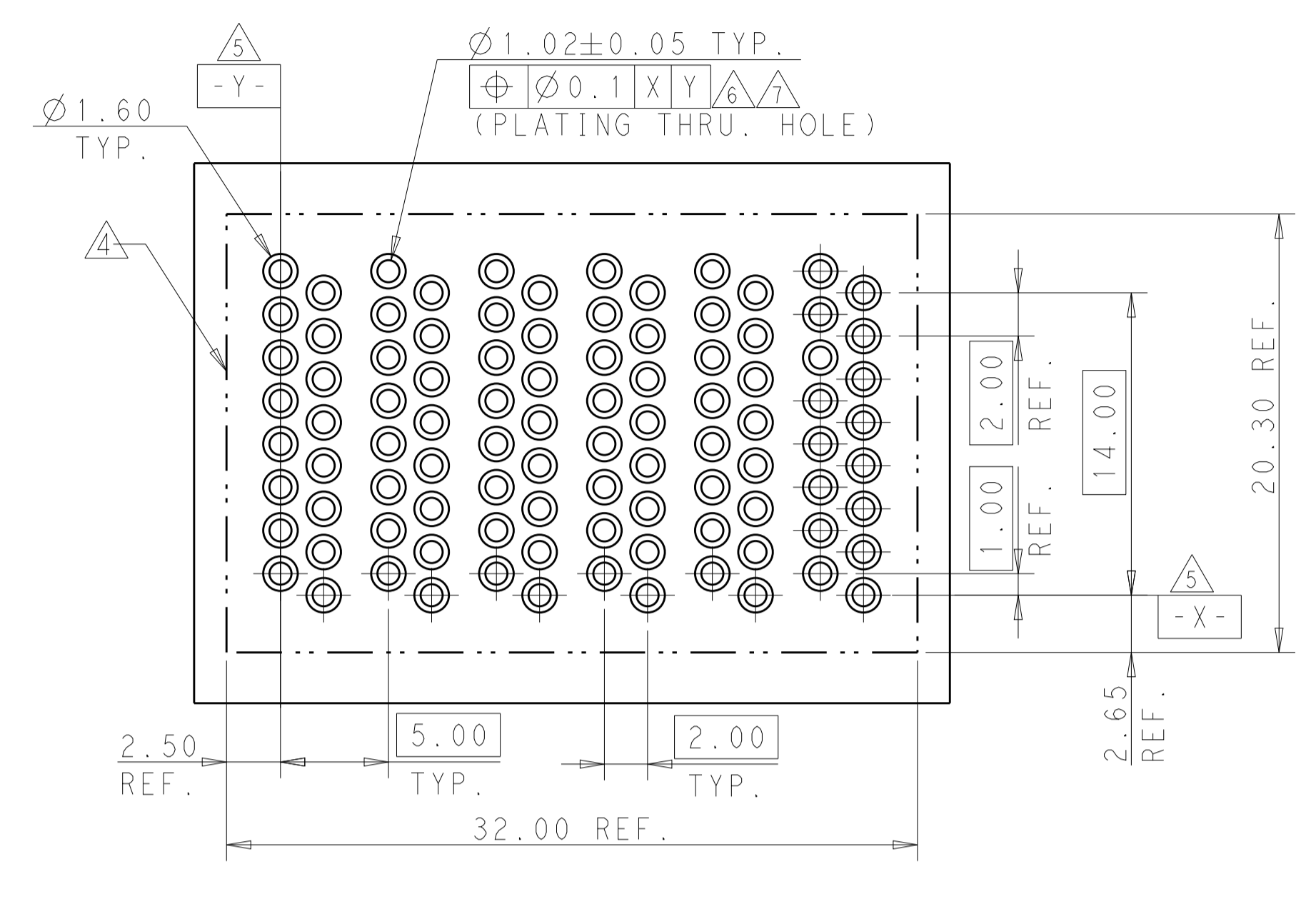
LOC		DIST		REVISIONS			
P	LTN	DESCRIPTION	DATE	DWN	APVD		
-	-	SEE SHEET 1	-	-	-		



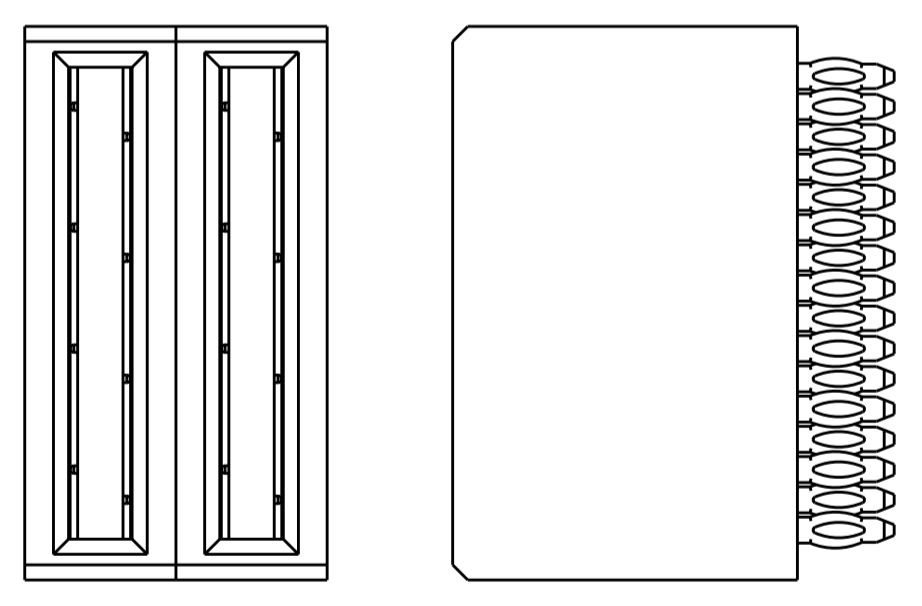
PCB LAYOUT PART NUMBER: 2204423-2



PCB LAYOUT PART NUMBER: 2204423-3



PCB LAYOUT PART NUMBER: 2204423-4



PLASTIC PEG

PART NUMBER: 2204423-2 WITH PLASTIC PEG

PART NUMBER	POWER	
	P2	P1
2204423-2	PM	PN
2P		

PART NUMBER	POWER			
	P4	P3	P2	P1
2204423-3	PM	PM	PM	PM
4P				

PART NUMBER	POWER					
	P6	P5	P4	P3	P2	P1
2204423-4	PM	PM	PM	PM	PM	PM
6P						

THIS DRAWING IS A CONTROLLED DOCUMENT.		DWN THOMAS ZHAO 28JUN2013	TE Connectivity
DIMENSIONS: mm		CHK SUNY ZHAO 28JUN2013	
TOLERANCES UNLESS OTHERWISE SPECIFIED:		APVD SUNY ZHAO 28JUN2013	NAME Customer Drawing
0 PLC	±0.4	PRODUCT SPEC	VERTICAL RECEPTACLE PRESS FIT
1 PLC	±0.4	APPLICATION SPEC	MUTIL-BEAM HD W/GUIDELESS
2 PLC	±0.75	SIZE A1	CAGE CODE
3 PLC	±1.0	DRAWING NO. C=2204423	RESTRICTED TO
4 PLC	±1.5	WEIGHT	
ANGLES	±	CUSTOMER DRAWING	SCALE 8:1
MATERIAL	FINISH		SHEET 3 OF 3
			REV A3