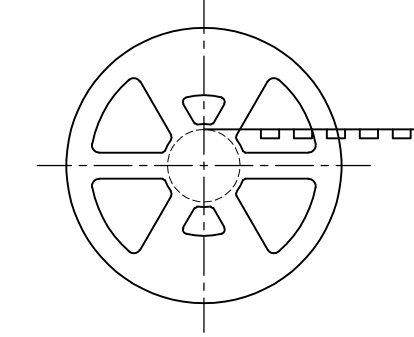
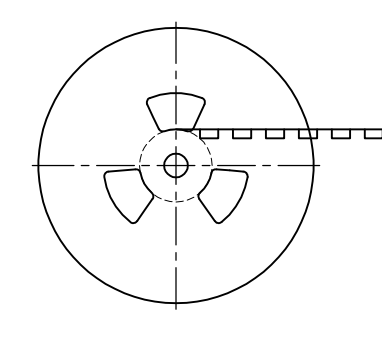
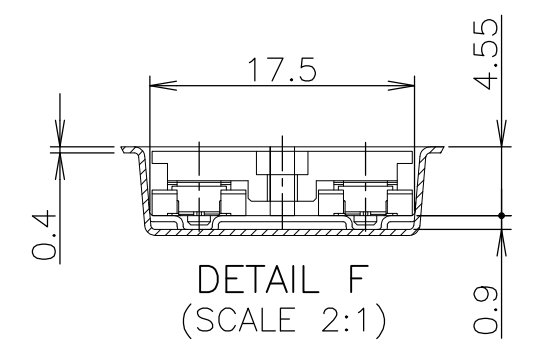
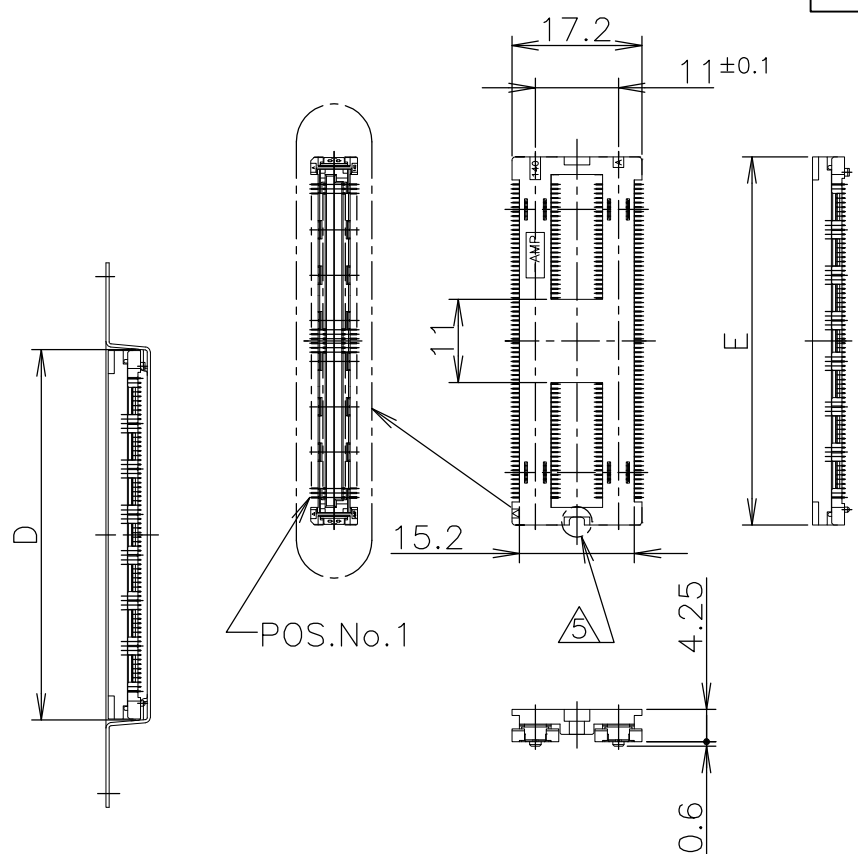
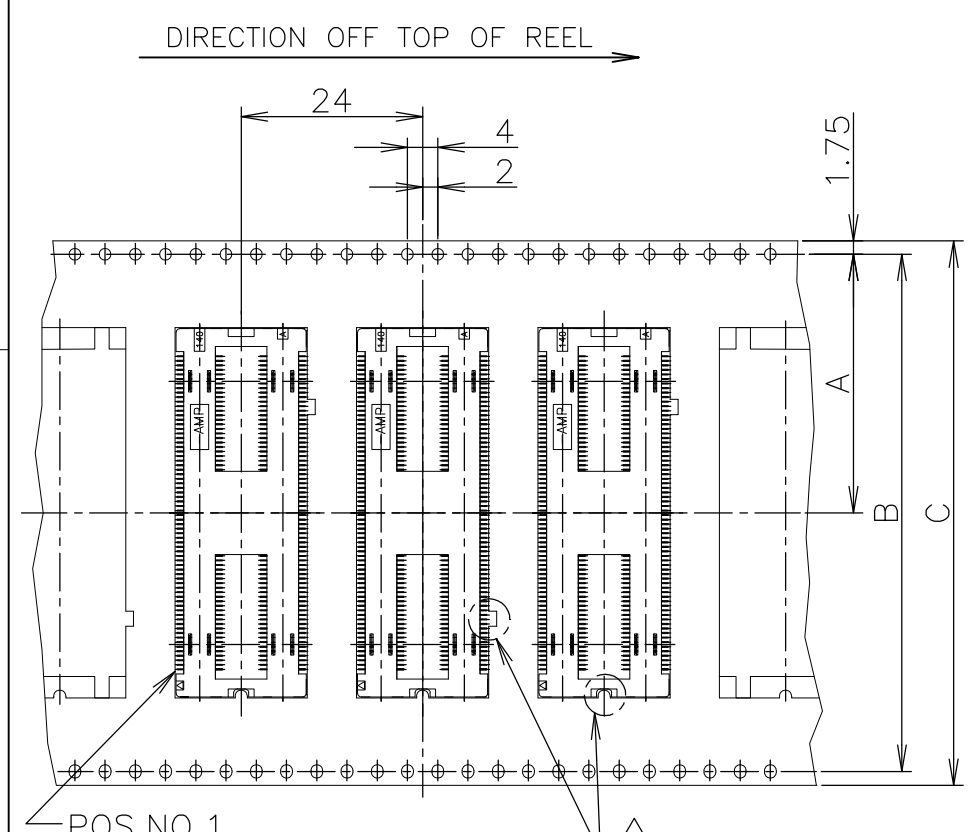


THIS DRAWING IS UNPUBLISHED. RELEASED FOR PUBLICATION JUN , 1996.
 © COPYRIGHT 1996 By - ALL RIGHTS RESERVED.

LOC	DIST	REVISIONS					
		P	LTR	DESCRIPTION	DATE	DWN	APVD
J		A1	REVISED	ECR-15-005119	02APR2015	I.T	W.H

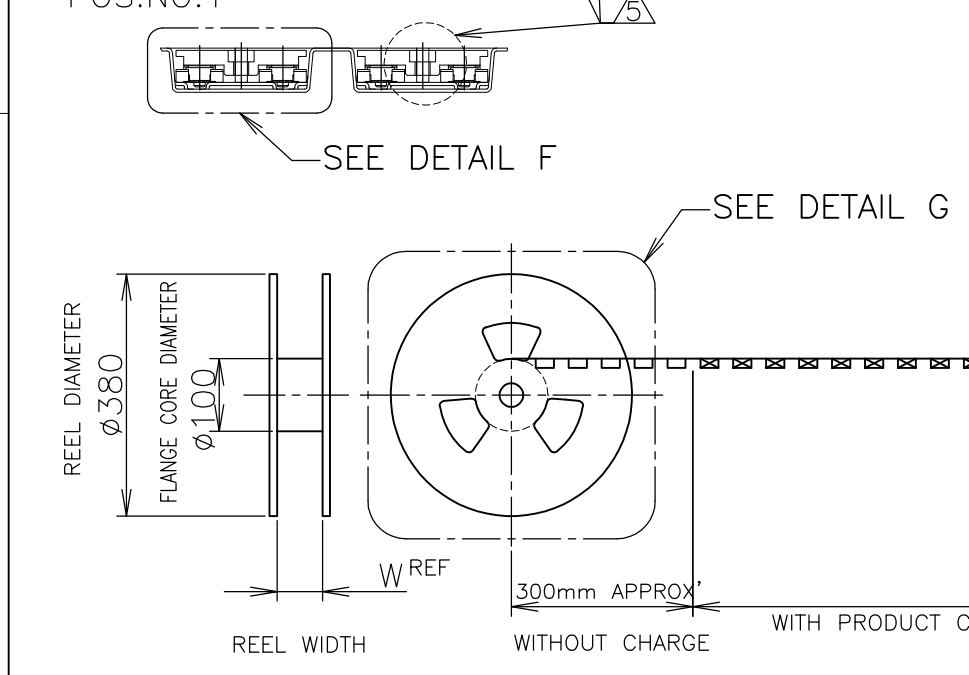


CONNECTOR DETAIL

PAPER REEL

PLASTIC REEL

DETAIL G



WEEDING THE COVER TAPE AROUND THE OUTER PERIPHERY IN A TURN.

SEALANT	REEL	TOOLING STATUS	QTY	W	E	D	C	B	A	POS.	PART NO.
---	NOT AVAILABLE		650	77.5	54.7	55	72	68.4	34.2	320	6-5353206-1
PAPER	AVAILABLE		↑	77.5	48.7	49	72	68.4	34.2	280	6-↑-0
---	NOT AVAILABLE		↑	61.5	42.7	43	56	52.4	26.2	240	5-↑-9
---	NOT AVAILABLE		650	61.5	36.7	37	56	52.4	26.2	200	5-5353206-8
---	NOT AVAILABLE		650	77.5	54.7	55	72	68.4	34.2	320	1-5353206-1
PLASTIC	AVAILABLE		↑	77.6	48.7	49	72	68.4	34.2	280	1-↑-0
---	NOT AVAILABLE		↑	61.5	42.7	43	56	52.4	26.2	240	↑-9
PAPER	NOT AVAILABLE		650	61.5	36.7	37	56	52.4	26.2	200	5353206-8

- 4 THIS PRODUCT WAS COATED BY FLUX-PENETRATION -INHIDTING AGENT.
- 5 CAP HOUSING AND EMBOSS TAPE FOR ONLY 280P HAS THESE ORIENTATION AND SUNK FEATURES.

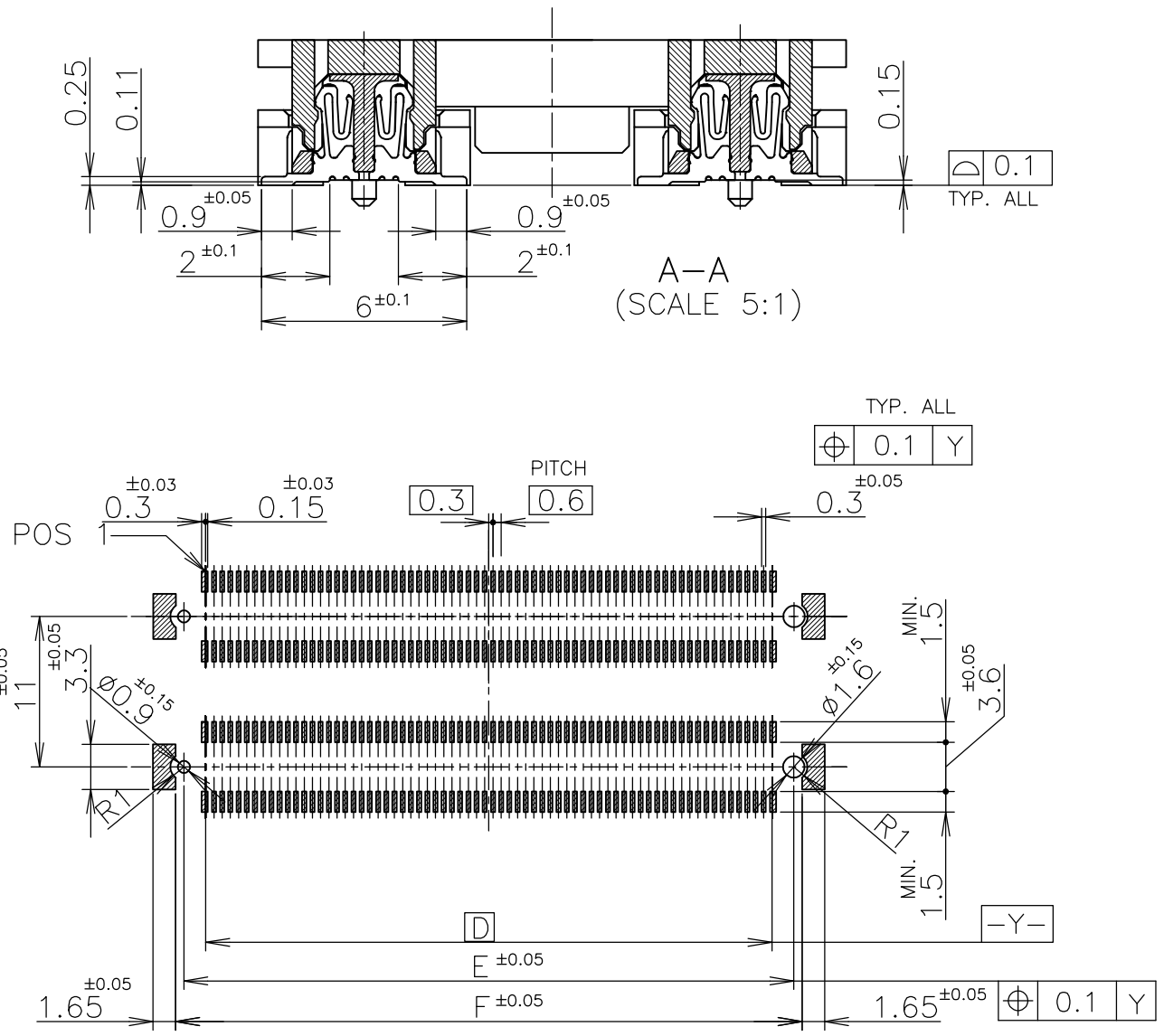
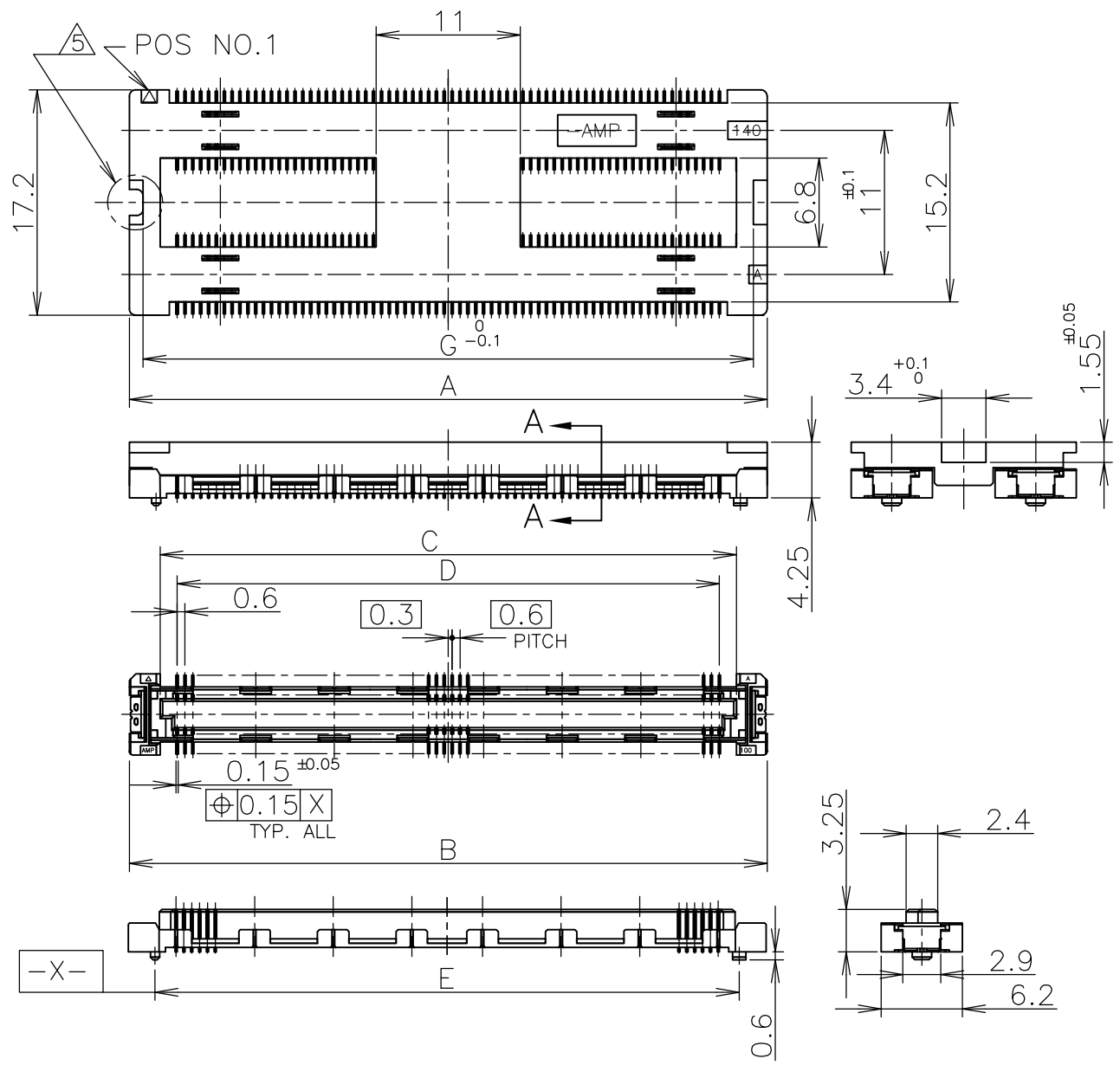
THIS DRAWING IS A CONTROLLED DOCUMENT.

DIMENSIONS: 单位: 毫米 mm	TOLERANCES UNLESS OTHERWISE SPECIFIED: 一般公差	DWN HAWKING HE 14DEC04	 TE Connectivity
	0 PLC ± 0.2	CHK STEVEN YAO 14DEC04	
	1 PLC ± 0.2	APVD I.ENOMOTO 14DEC04	
	2 PLC ± 0.2	NAME 名称	
3 PLC ± 0.2	4 PLC ± 0.2	PRODUCT SPEC 製品規格	EMBOSS ASSY
4 PLC ± 0.2	FINISH 仕上	APPLICATION SPEC 取付適用規格	FH 0.6BTB CONNECTOR
MATERIAL 材料		WEIGHT	REC 4H 2ROW TYPE W/G-CONT
			SIZE A3
			CAGE CODE 00779
			DRAWING NO. C-5353206
			RESTRICTED TO
			SCALE 尺度 1:1
			SHEET 1 OF 3
			REV A1

CUSTOMER DRAWING

THIS DRAWING IS UNPUBLISHED. RELEASED FOR PUBLICATION JUN, 1996. ALL RIGHTS RESERVED.

LOC	DIST	REVISIONS			DATE	DWN	APVD
J		P	LTR	DESCRIPTION			
		-		SEE SHEET 1	-	-	-



REFERENCE P.C.BOARD LAYOUT

- ① MATERIAL ; HOUSING : HIGH TEMP THERMO PLASTIC UL94V-0
CONTACT : COPPER ALLOY
- ② FINISH ; UNDER PL Ni 0.0013mm MIN ALL OVER.
CONTACT AREA 0.0002 MIN Au PL.
SOLDERING AREA
SIGNAL POS: 0.00005 MIN Au PL.
GROUND POS: 0.001 MIN TIN PL.
- ③ THIS POSITION IS GROUND CIRCUIT.

GENERAL TOLERANCE 一般公差

10 ≥	±0.2
30 ≥	>10:±0.25
100 ≥	>30:±0.3
ANGLES: ±3°	

THIS DRAWING IS A CONTROLLED DOCUMENT.

DIMENSIONS: 単位: 耗 mm	TOLERANCES UNLESS OTHERWISE SPECIFIED: 一般公差
	0 PLC ± -
	1 PLC ± -
	2 PLC ± -
	3 PLC ± -
	4 PLC ± -
ANGLES ± -	FINISH 仕上 ± -

MATERIAL 材料 ①

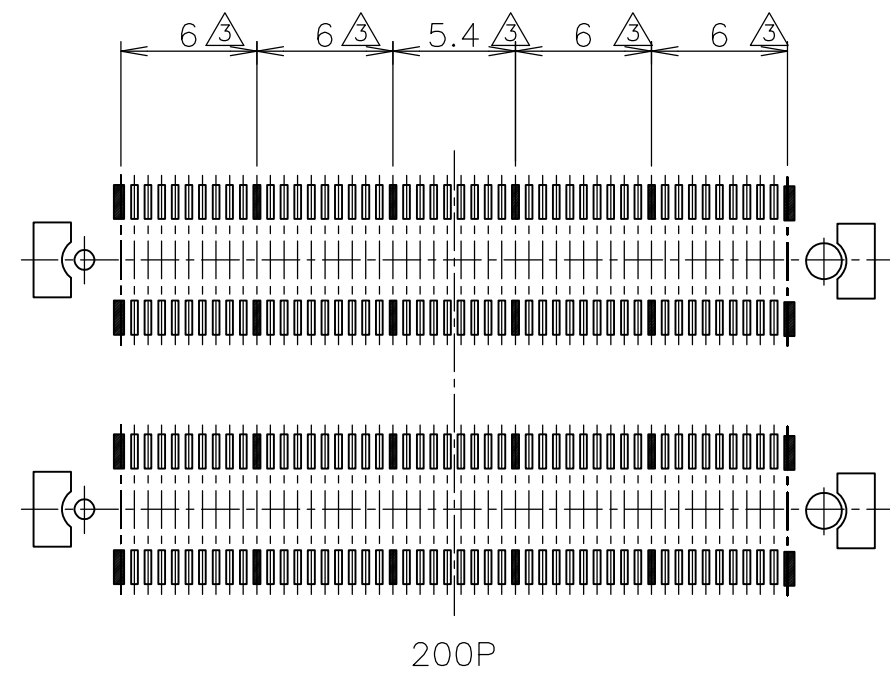
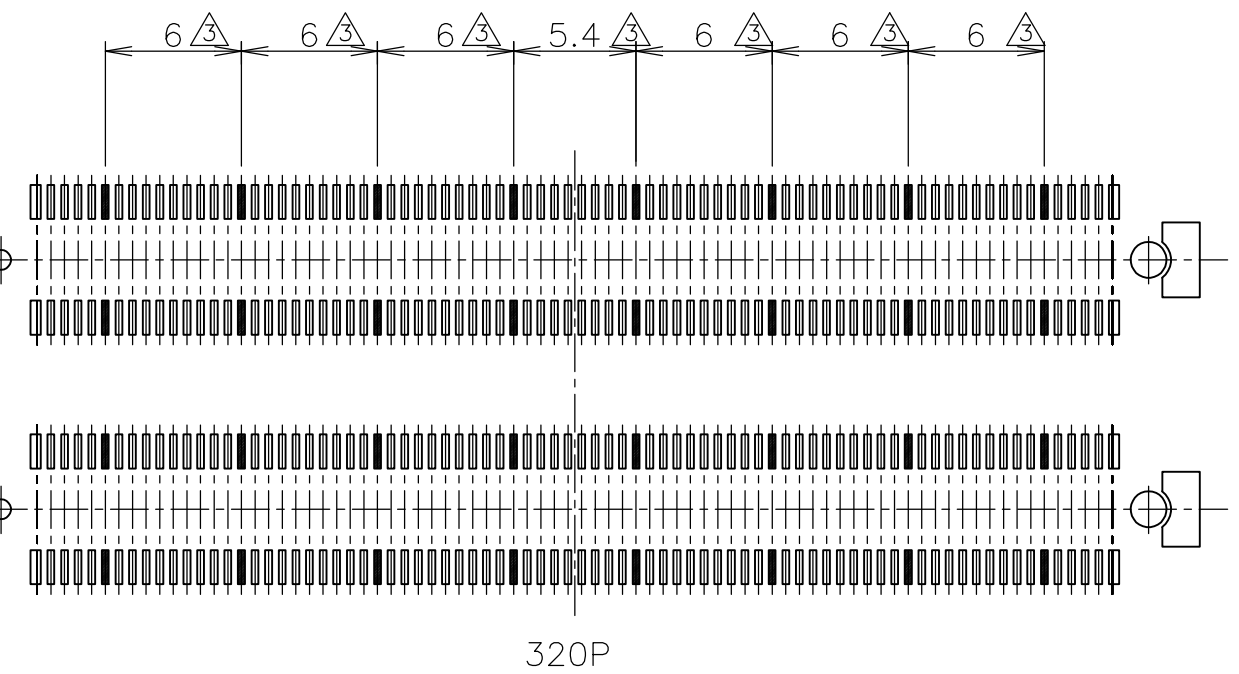
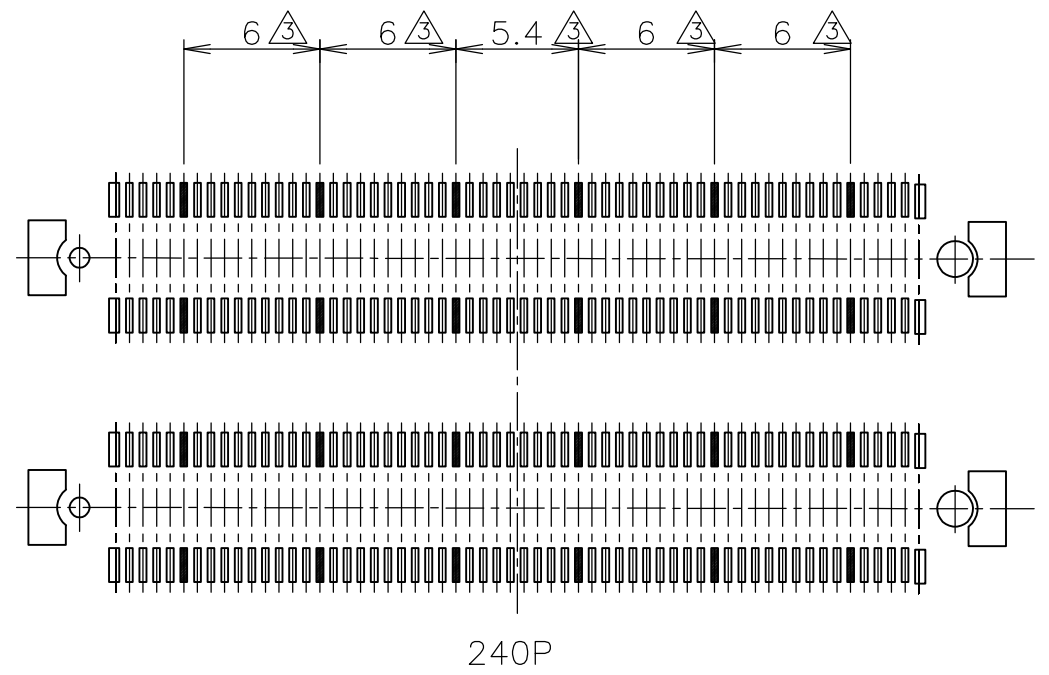
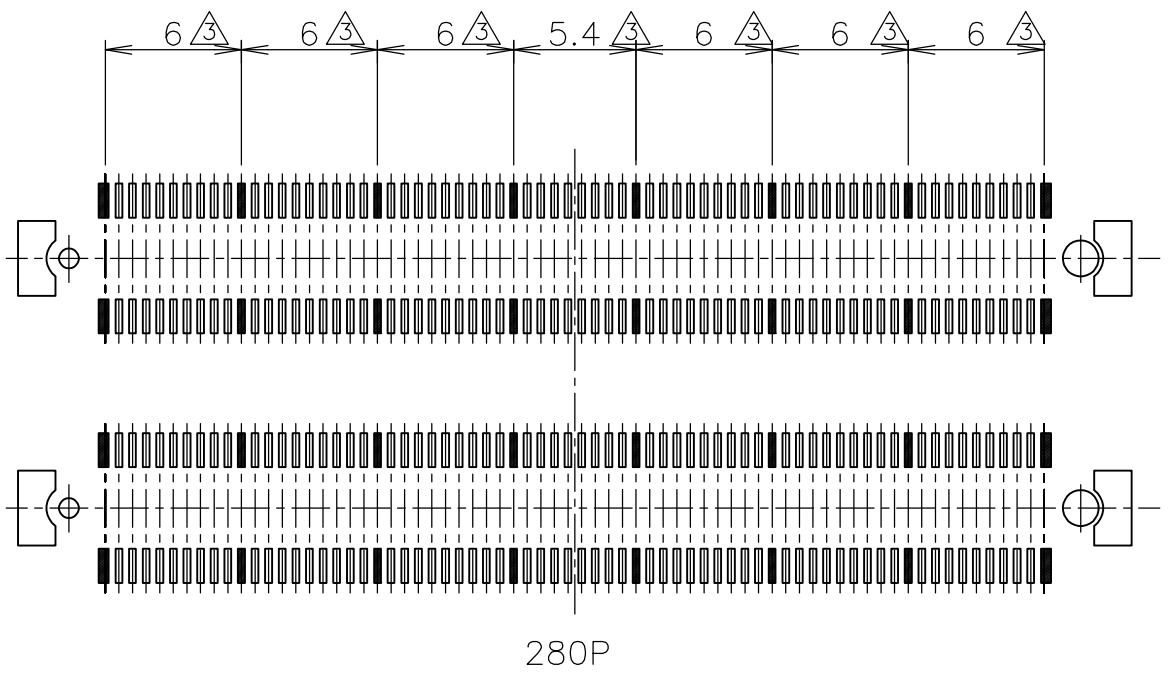
NOT AVAILABLE	52.6	51.8	50.6	47.4	50	54.7	54.7	320	1-353123-1
AVAILABLE	46.6	45.8	44.6	41.4	44	48.7	48.7	280	1- ↑ -0
NOT AVAILABLE	40.6	39.8	38.6	35.4	38	42.7	42.7	240	-9
AVAILABLE	34.6	33.8	32.6	29.4	32	36.7	36.7	200	353123-8
TOOLING STATUS	G	F	E	D	C	B	A	POS	CAP P/N



NAME 名称				EMBOSS ASSY FH 0.6BTB CONNECTOR REC 4H 2ROW TYPE W/G-CONT					
SIZE	CAGE CODE	DRAWING NO 番号		RESTRICTED TO					
A3	00779	G-5353206							
CUSTOMER DRAWING				SCALE 尺度	2:1	SHEET	2 OF 3	REV	A1

THIS DRAWING IS UNPUBLISHED. RELEASED FOR PUBLICATION JUN , 1996.
 © COPYRIGHT 1996 By - ALL RIGHTS RESERVED.

LOC	DIST	REVISIONS 変更					
J		P	LTR	DESCRIPTION	DATE	DWN	APVD
		-		SEE SHEET 1	-	-	-



GENERAL TOLERANCE
一般公差

10 ≥	±0.2
30 ≥	>10: ±0.25
100 ≥	>30: ±0.3
ANGLES: ±3°	

THIS DRAWING IS A CONTROLLED DOCUMENT.

DIMENSIONS: 単位: 耗 mm	TOLERANCES UNLESS OTHERWISE SPECIFIED: 一般公差
	0 PLC ± - 1 PLC ± - 2 PLC ± - 3 PLC ± - 4 PLC ± - ANGLES ± -
MATERIAL 材料	FINISH 仕上

DWN	STE TE Connectivity		
CHK	NAME 名称		
APVD	EMBOSS ASSY FH 0.6BTB CONNECTOR REC 4H 2ROW TYPE W/G-CONT		
PRODUCT SPEC 製品規格	SIZE	CAGE CODE	DRAWING NO 番号
APPLICATION SPEC 取付適用規格	A3	00779	C-5353206
WEIGHT	CUSTOMER DRAWING		RESTRICTED TO
	SCALE 尺度	SHEET	REV
	3:1	3 OF 3	A1