

# Water Flow Sensor YF-B3

SKU 114991173



## Description

Water flow sensor consists of a copper body, a water rotor, and a hall-effect sensor. When water flows through the rotor, rotor rolls. Its speed changes with different rate of flow. The hall-effect sensor outputs the corresponding pulse signal. This one is suitable to detect flow in water dispenser or coffee machine.

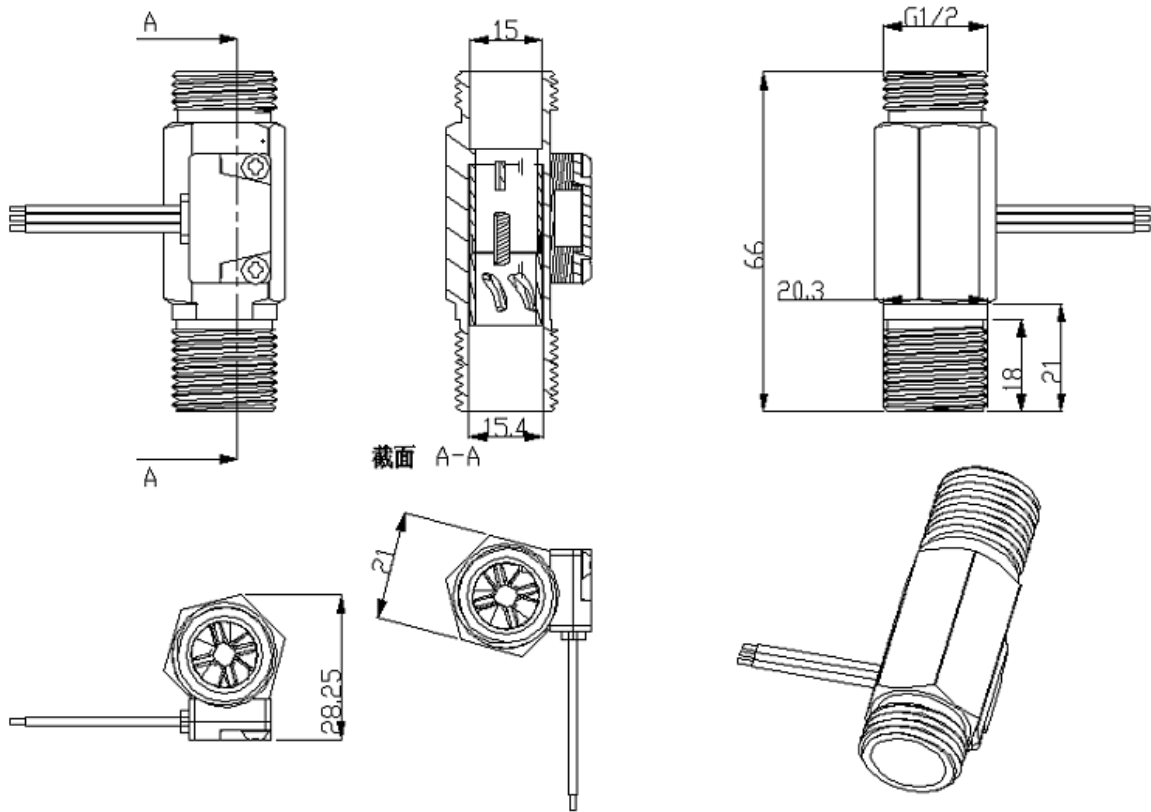
Life is longer than plastic body.

## Features

- Compact, Easy to Install
- High Sealing Performance
- High Quality Hall Effect Sensor
- RoHS Compliant

## Specifications

- Mini. Working Voltage: DC 4.5V
- Max. Working Current: 15mA (DC 5V)
- Working Voltage: DC 5V~15V
- Flow Rate Range: 1~25L/min
- Frequency:  $F=11*Q(Q=L/MIN)$
- Load Capacity:  $\leq 10mA$  (DC 5V)
- Operating Temperature:  $\leq 80^{\circ}C$
- Liquid Temperature:  $\leq 120^{\circ}C$
- Operating Humidity: 35%~90%RH
- Water Pressure:  $\leq 1.75MPa$
- Storage Temperature:  $-25 \sim + 80^{\circ}C$
- Storage Humidity: 25%~95%RH



## Part List

1 x YF-B3 water flow sensor

Technical Details

Weight G.W 99g

Battery Exclude