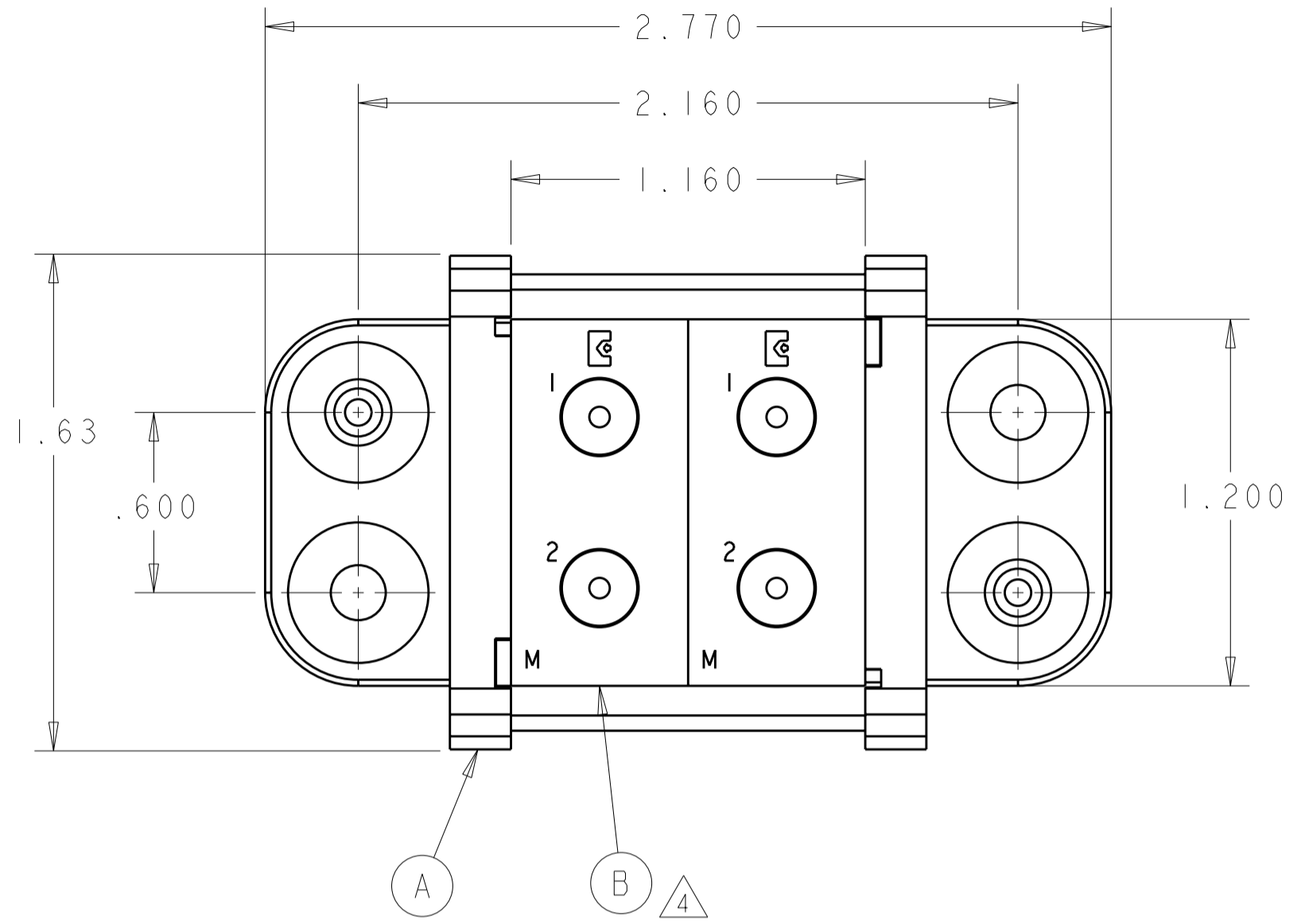


THIS DRAWING IS UNPUBLISHED. RELEASED FOR PUBLICATION 20
 © COPYRIGHT 20 BY - ALL RIGHTS RESERVED.

LOC		DIST		REVISIONS			
P	LTR	DESCRIPTION	DATE	DWN	APVD		
	A	NEW RELEASE	13FEB2012	BM	DO		



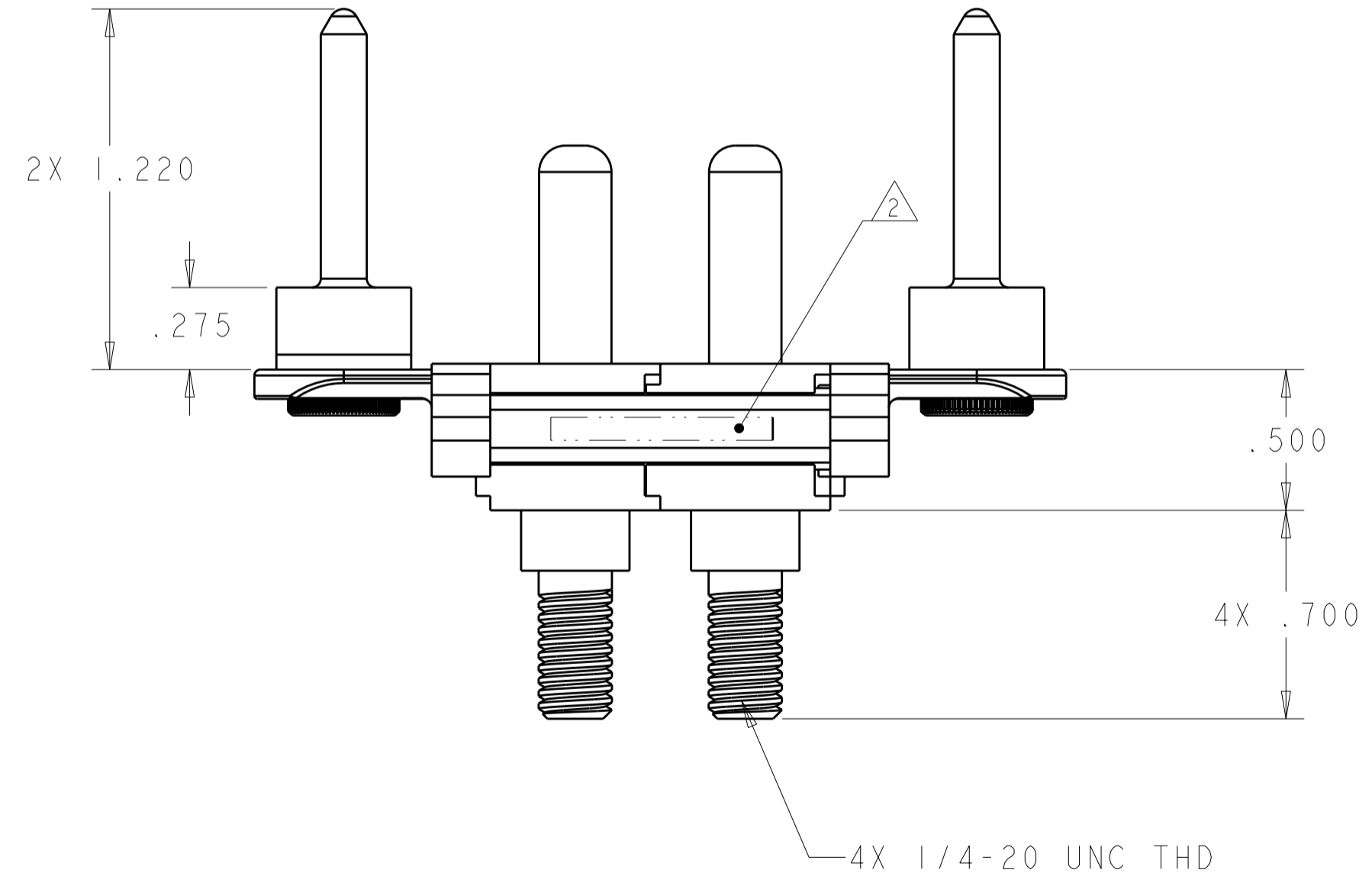
1. PART NUMBER CHANGES AND/OR DESIGN CHANGES AFFECTING ITEM INTERCHANGEABILITY REQUIRE PRIOR TYCO ELECTRONICS APPROVAL AND AUTHORIZATION BY REVISION TO THIS DRAWING.

2. ITEMS PROVIDED TO THIS SPECIFICATION TO BE PERMANENTLY IDENTIFIED PER THE FOLLOWING IDENTIFIER:

TYCO ELECTRONICS P/N DATE CODE (e.g. 0212)
 XXXXXXXX-X XXXX
 YEAR WEEK

3. MOUNTING FLANGE BUSHING ACCEPTS 6/32 SCREW (Ø.156 CLEARANCE HOLE, FLOAT MOUNT) OR 8/32 SCREWS (Ø.173 CLEARANCE HOLE FIXED MOUNT) USER SUPPLIED.

4. MODULE "M" PIN IS INSTALLED



2	6648499-1	MODULE "M"	B
2	6648259-1	END CAP, PANEL MOUNT	A
-1	PART NUMBER	DESCRIPTION	ITEM NO.

THIS DRAWING IS A CONTROLLED DOCUMENT.		DWN B. MATTHEWS 13FEB2012	STE TE Connectivity	
DIMENSIONS: INCHES		CHK D. ORRIS 13FEB2012		
TOLERANCES UNLESS OTHERWISE SPECIFIED:		APVD S. FLICKINGER 13FEB2012	NAME PIN CONNECTOR DOMINO W/ PANEL CUT-OUT	
0 PLC ±0		PRODUCT SPEC -	SIZE A2	CAGE CODE 00779
1 PLC ±0		APPLICATION SPEC -	DRAWING NO. C-2085996	RESTRICTED TO -
2 PLC ±.02		WEIGHT -	SCALE 2:1 SHEET 1 OF 2 REV A	
3 PLC ±.010		CUSTOMER DRAWING		
4 PLC ±				
ANGLES ±				
FINISH				

ELCON **DOMINO**

4

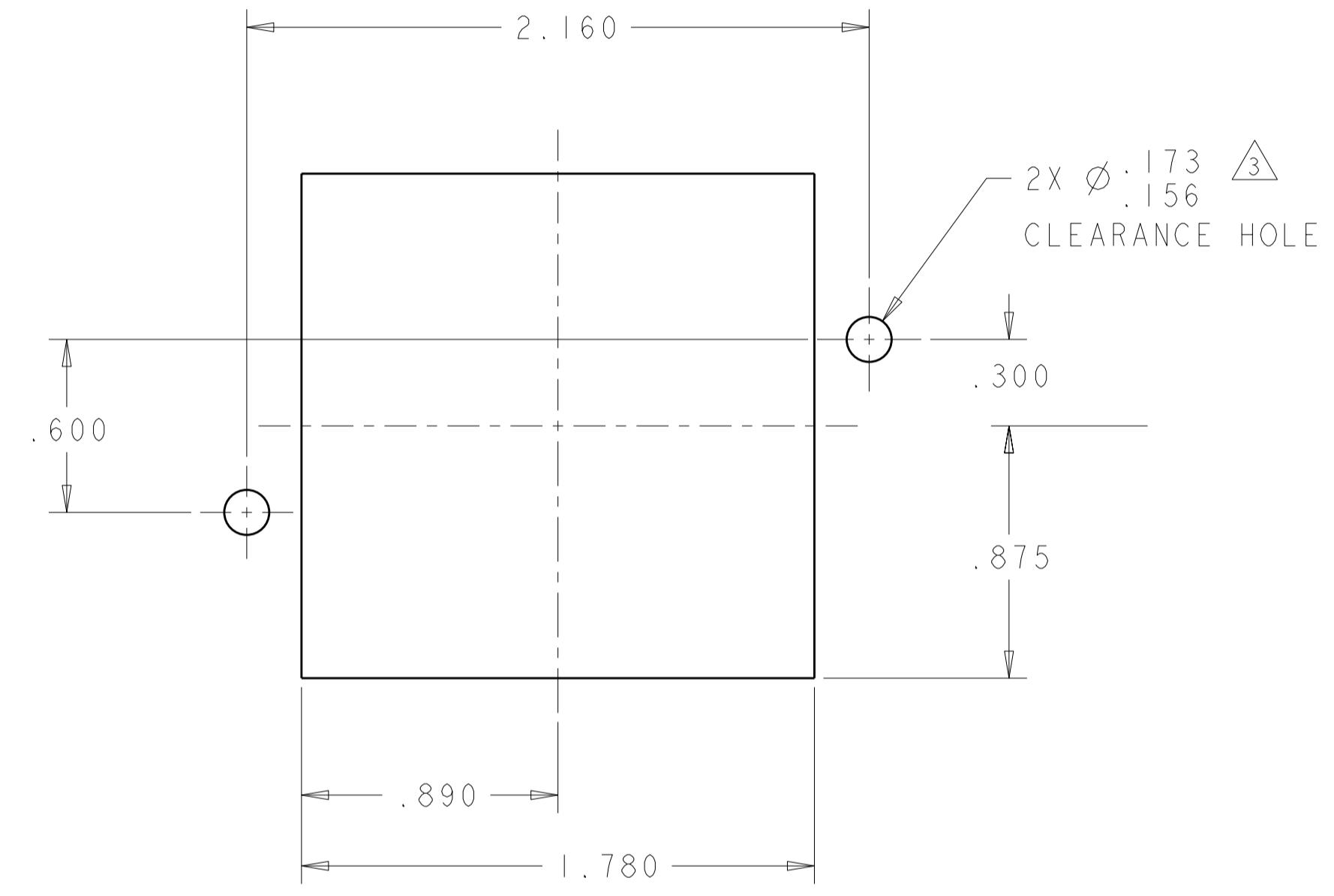
3

2

1

THIS DRAWING IS UNPUBLISHED. RELEASED FOR PUBLICATION 20
 © COPYRIGHT 20 BY - ALL RIGHTS RESERVED.

LOC	DIST	REVISIONS			
P	LTR	DESCRIPTION	DATE	DWN	APVD
GP	00	-	SEE SHEET 1	-	-



PANEL CUT-OUT
 COMPONENT SIDE

ELCON **DOMINO**

THIS DRAWING IS A CONTROLLED DOCUMENT.		DWN B. MATTHEWS 13FEB2012	STE TE Connectivity	
DIMENSIONS: INCHES		CHK D. ORRIS 13FEB2012		
TOLERANCES UNLESS OTHERWISE SPECIFIED:		APVD S. FLICKINGER 13FEB2012	NAME PIN CONNECTOR DOMINO W/ PANEL CUT-OUT	
0 PLC ±0 1 PLC ±0 2 PLC ±.02 3 PLC ±.010 4 PLC ± ANGLES ± FINISH		PRODUCT SPEC -	SIZE A200779	
MATERIAL -		APPLICATION SPEC -	DRAWING NO C-2085996	
		WEIGHT -	RESTRICTED TO -	
		CUSTOMER DRAWING	SCALE 2:1 SHEET 2 OF 2 REV A	