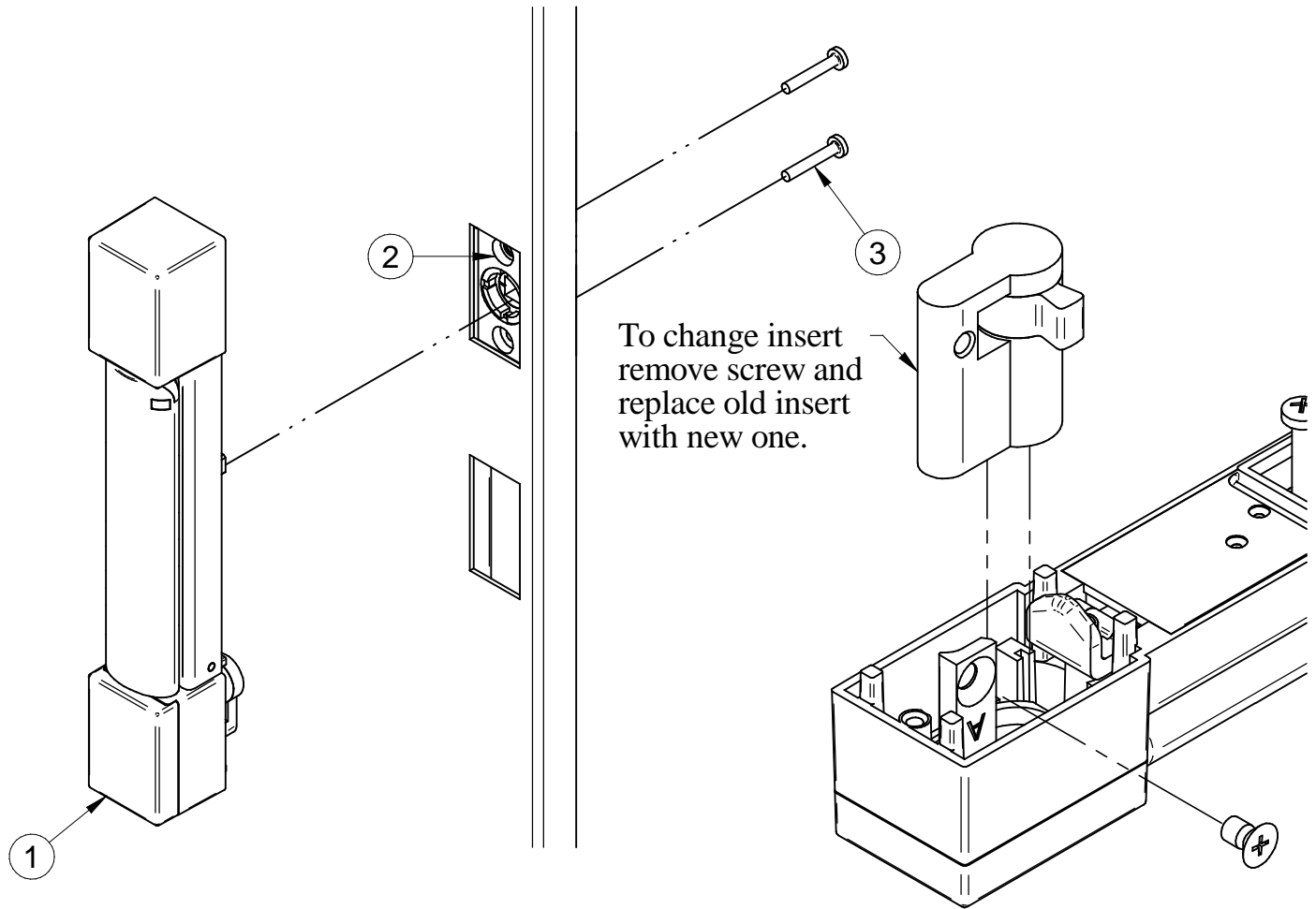


HMEHL - SERIES

BUL86194

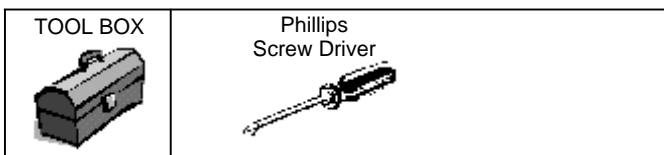
REV. A

ASSEMBLY INSTRUCTIONS FOR HMEHLKL/HMEHLNL/HMEHLINS



INSTRUCTIONS (HMEHLKL/HMEHLNL):

- A) Open door and make sure the ratchet gear (Item 2) is in the fully extended (closed) position.
- B) Remove factory installed escutcheon plate and insert by removing the two screws on the back of the ratchet gear and the screw for the insert.
- C) Place square drive on lift handle (Item 1) into the square cutout on the ratchet gear (Item 2)
- D) Install two screws (Item 3) through the ratchet gear (Item 2) and into the lift handle (Item 1).
- E) Do not install supplied plastic cover on lift handle.



 **HAMMOND
MANUFACTURING™**
www.hammondmfg.com